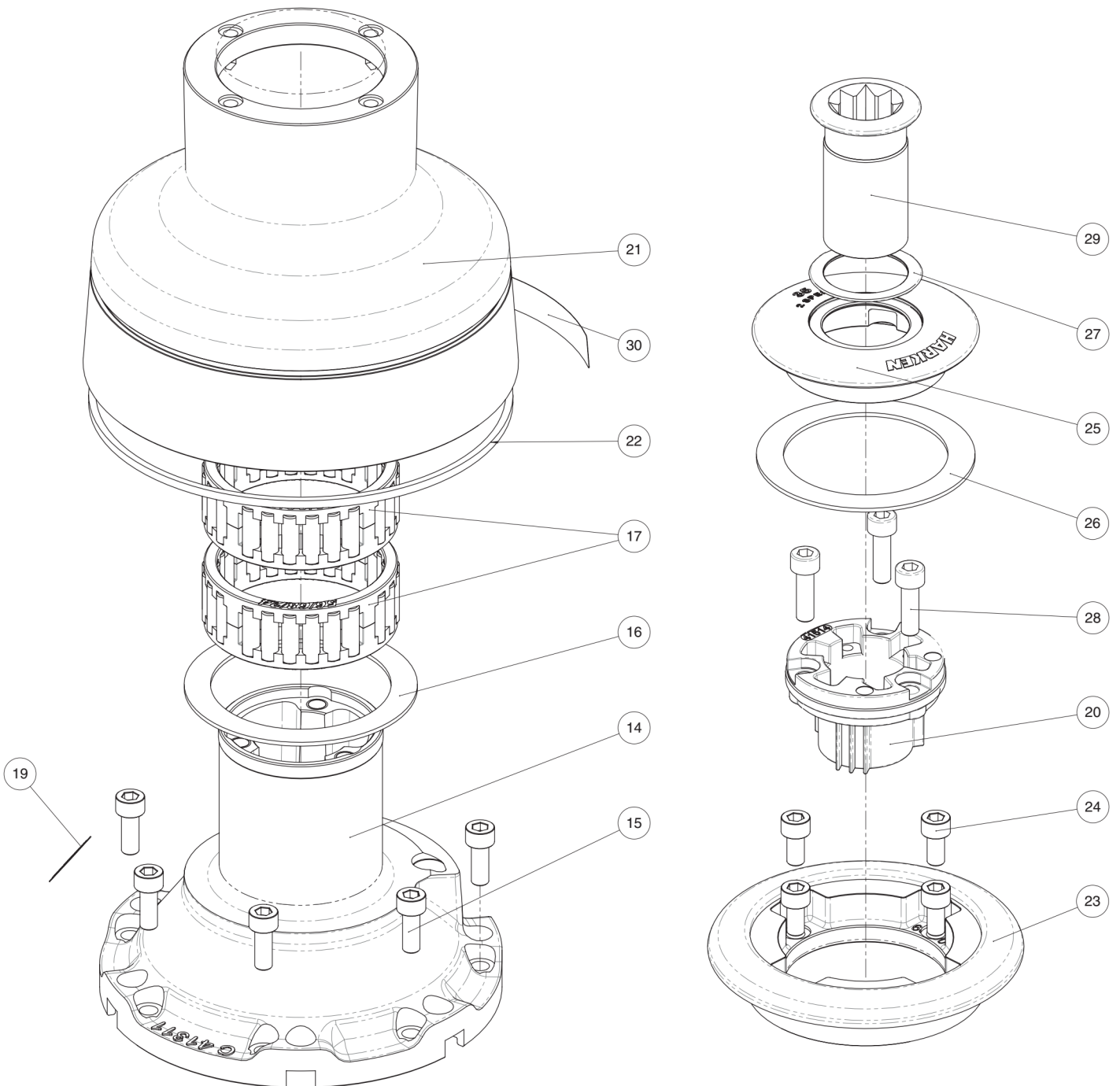
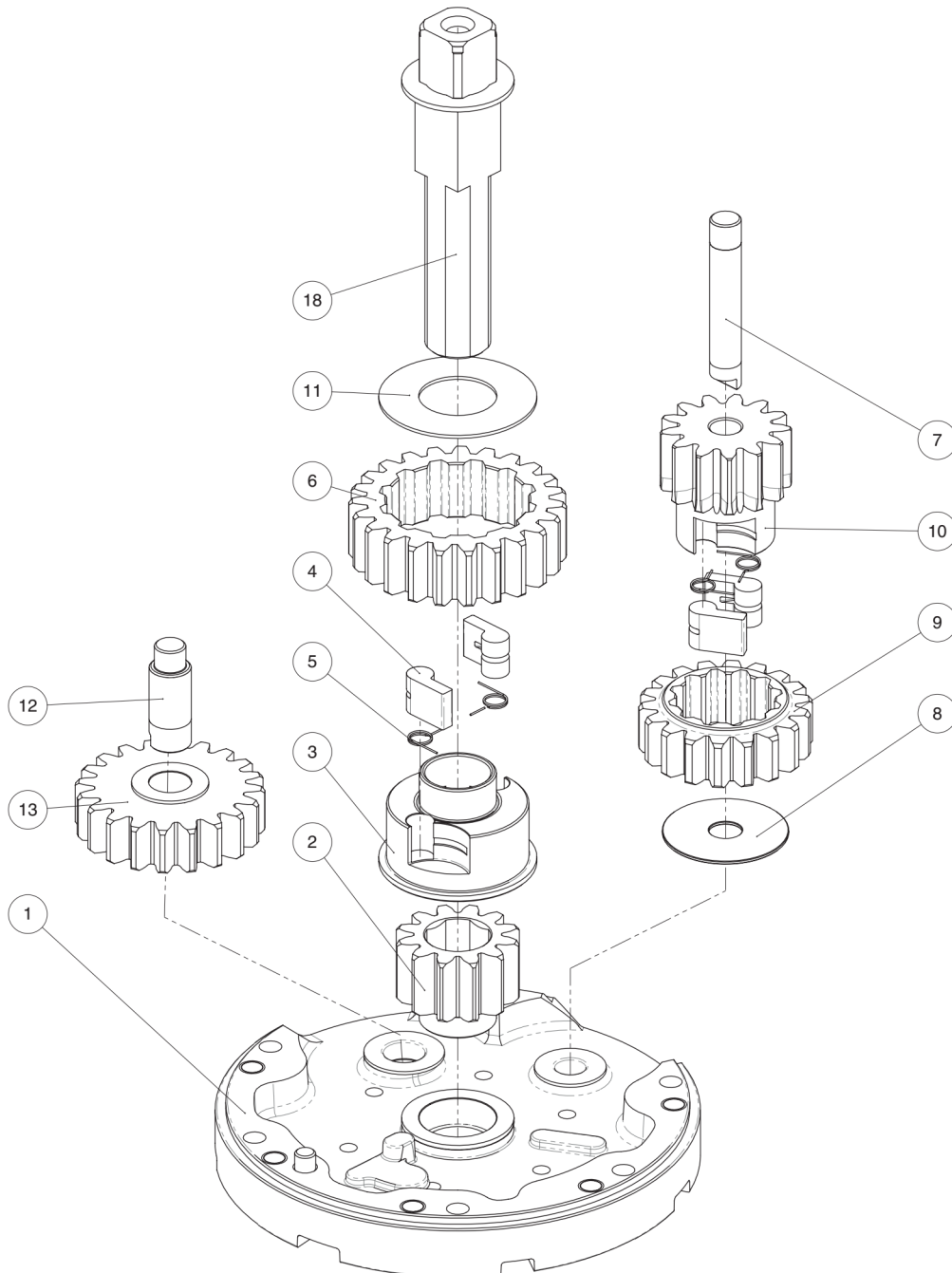


Radial Winch 35.2 PTBBB, PTCCC



Radial Winch 35.2 PTBBB, PTCCC



Radial Winch 35.2 PTBBB

BBB = all bronze

Pos.	Q.ty	Code	Description	Pos.	Q.ty	Code	Description
1	1	A96633100	PERFORMA Assy Base Winch 35 <i>PERFORMA Base W35 Heli-coil M6x9</i>	16	1	S413150082	Washer Ø62xØ80x1.5
	1	S413350080	<i>Roller Ø6x19</i>	17	2	A74136000	Bearing Ø56xØ68x24
	1	S4152300A7	<i>Bushing Ø22xØ25x9.5</i>	18	1	A94151900	Assy Central Shaft W35 <i>Central shaft W35/40 PT</i>
	1	S413960085	<i>Bushing Ø9xØ11x12</i>		1	S413880002	<i>Washer Ø17.2xØ32x1.5</i>
	1	S413330085	<i>Bushing Ø12xØ14x11</i>	19			Winch Serial Number Sticker
2	1	S413020004	Gear Z12	20	1	S4151400A0	Socket Support PT
3	1	S413030004	Pawls Carrier Ø8xN2	21	1	S688170043	Drum W35 BBB
4	4	S000080003	Pawl Ø8*	22	1	S281680097	Red line
5	4	S000380001	Pawl Spring Ø8*	23	1	S688040043	Plain Top W35/40 BBB
6	1	S412830041	Gear Z23	24	4	M0603703	Screw M6x12 UNI 5931
7	1	S413000004	Pin Ø9x55	25	1	S688130043	Cover W35 PT BBB
8	1	S279090002	Washer Ø36xØ9.5x1	26	1	S678720082	Washer Ø56.5xØ75x1.5
9	1	S415650004	Ratchet Gear Z18	27	1	S415220080	PT spacer
10	1	S412850041	Pinion Z13	28	3	M0600903	Screw M6x20 UNI5931
11	1	S413120002	Washer Ø22.5xØ45x1	29	1	A94136400	Assy Socket W20-80
12	1	S413070004	Pin Ø9xØ12x32.5		1	S415130085	<i>Socket Handle W20/80</i>
13	1	A94130500	Assy Gear Z20 <i>Gear Z20</i>	1	M0614303	<i>Washer Ø7.7xØ25x5.8</i>	
	2	S414900080	<i>Bushing Ø12xØ14x8</i>	1		<i>Screw M8x20 UNI 6109</i>	
14	1	A94131100	Assy Housing Winch 35 <i>Housing Winch 35 Heli-coil M6x9</i>	30			Winch Product Sticker**
	2	S414890080	<i>Bushing Ø9xØ11x7</i>				
	1	S4130900A7	<i>Bushing Ø22xØ25x8.5</i>				
15	6	M0635103	Socket head screw M6x16 UNI 5931				

*Available with service kit; see website www.harken.com

**Winch product sticker

