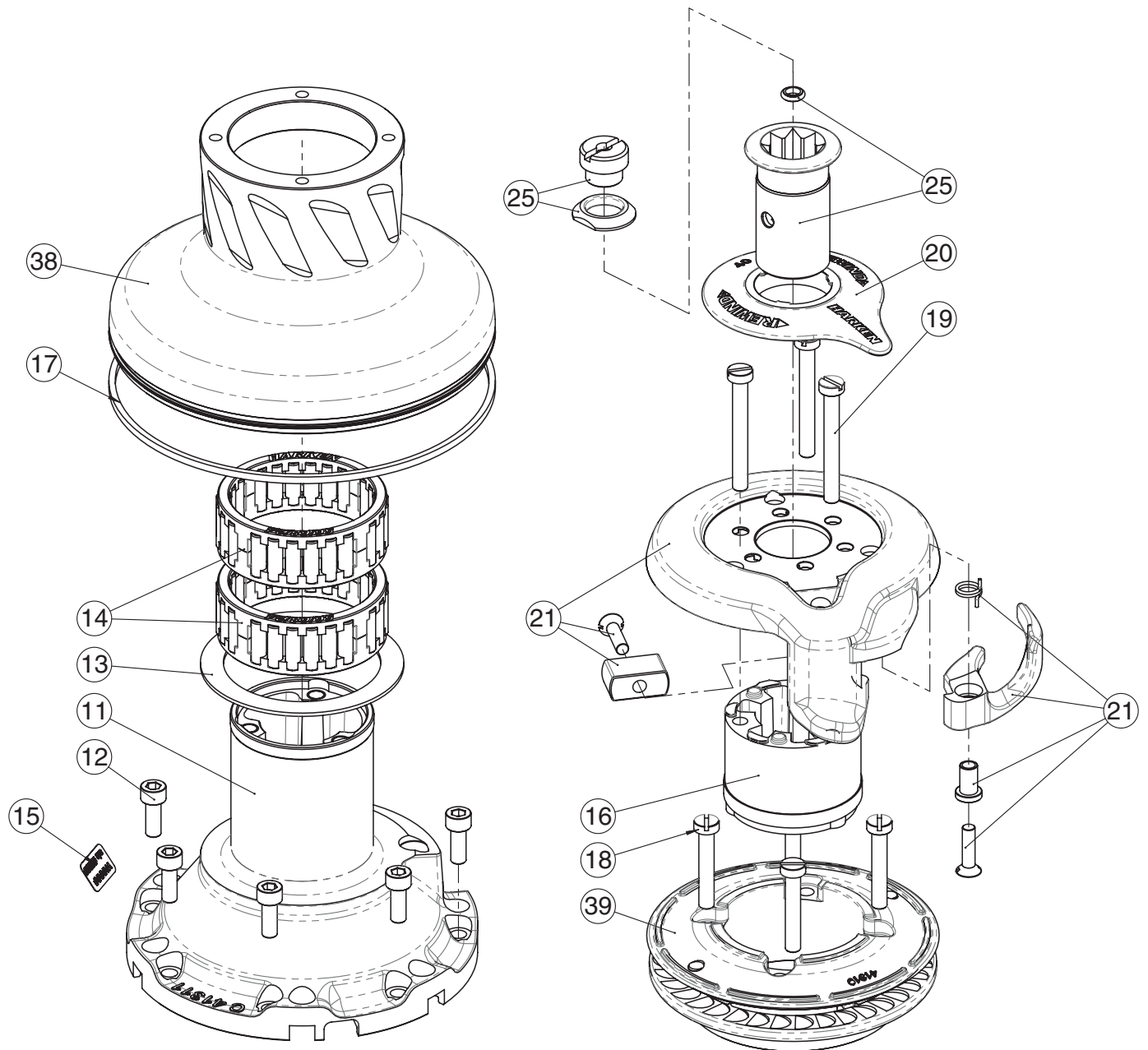
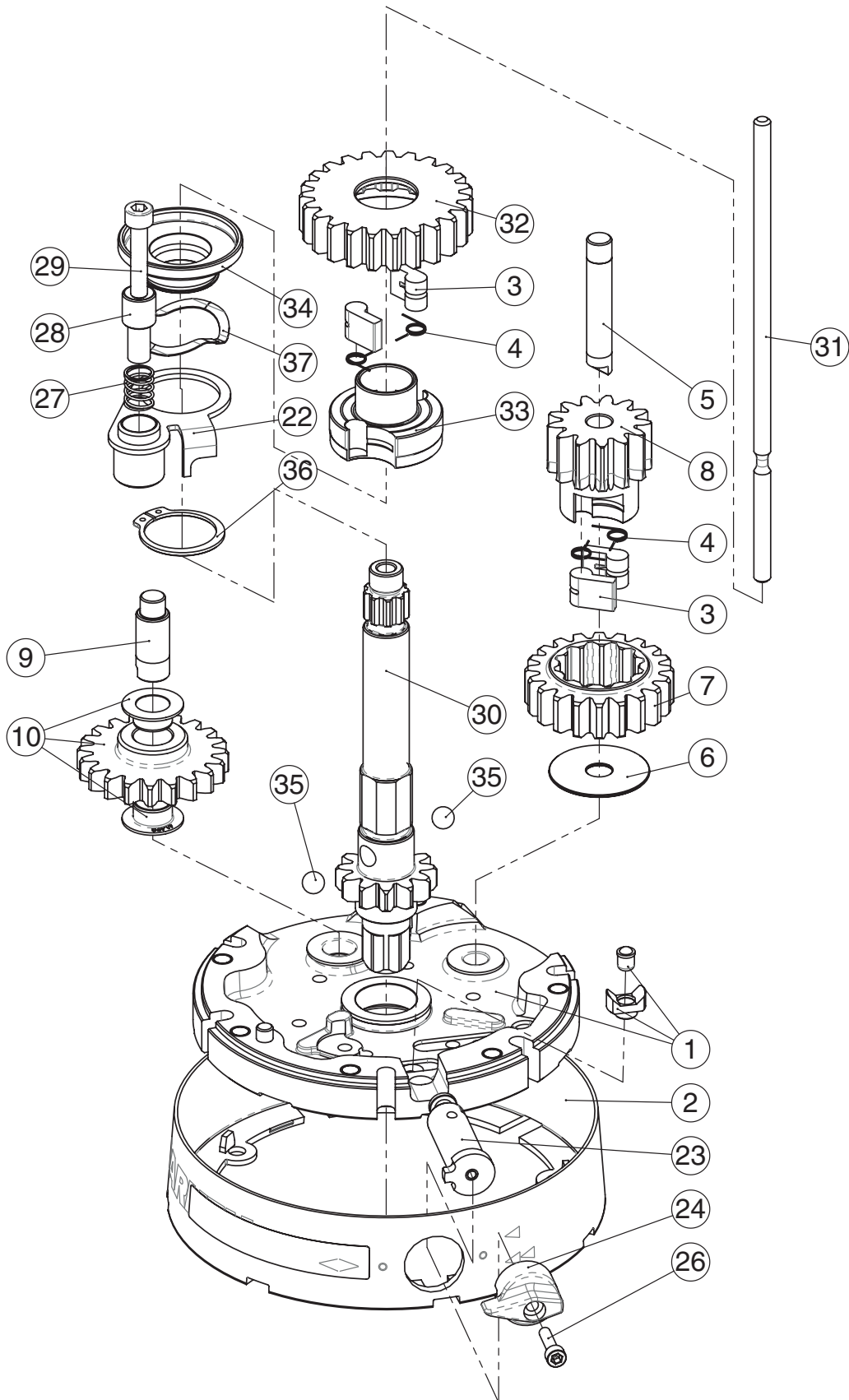


Exploded view

40 Rewind STA, STC, STCW, STBBB, STCCC EL Winch



40 Rewind STA, STC, STCW, STBBB, STCCC EL Winch



40 Rewind™ STCCC EL Winch

CCC = All-Chrome bronze

Pos.	Q.ty	Code	Description	Pos.	Q.ty	Code	Description
1	1	A96639600	Assy Base Winch 40 EL/HY Base W40 rewind Heli-coil M6x9	21	1	A76639100	Stripper arm W40 Rewind Stripper arm W40 C Rewind
	1	S4130900A7	Bushing Ø22xØ25x8.5		1	S6639200F0	Peeler W40 Rewind
	1	S413960085	Bushing Ø9xØ11x12		1	S419170080	Slider
	1	S413330085	Bushing Ø12xØ14x11		1	S416570001	Spring stripper arm W46 Rewind
	1	M6009463	Spring loaded ball plunger Ø6		1	S416580041	Bushing
	1	S664020052	Spacer		2	M0619003	Screw M5x20 UNI 6109
	1	S413350080	Roller Ø6x19		22	A74165000	Command for W46 Rewind
	2	1	A96939300		Assembly Skirt Winch 40 CCC Rewind Skirt W40 CCC Rewind Winch Product Sticker**	23	1
3	4	S000080003	Pawl Ø8*	1	S419190004		
4	4	S000380001	Pawl Spring Ø8*	1	S419200041		
5	1	S413000004	Pin Ø9x55	24	1	S497400080	Knob W46 rewind
6	1	S279090002	Washer Ø36xØ9,5x1	25	1	A94165200	Assy socket W46 Rewind Socket Handle W46 Rewind Washer Ø25xØ15x4 Nut Screw for Disconnect Rod O ring RC 2025 series
7	1	S412970004	Gear Z20	1	S414940085		
8	1	S412850041	Pinion Z13	1	S414930003		
9	1	S413070004	Pin Ø9xØ12x32.5	1	M0679797		
10	1	A76639900	Assy Gear Z20 Gear Z20	26	1	M0624103	Screw M4x16 UNI5931
	2	S414900080	Bushing Ø12xØ14x8	27	1	S418590001	Spring Ø10.67x12.7 rif.SPEC C0420-035-0500S
11	1	A96639700	Assy Housing Winch 40 RW Support W40 rewind Heli-coil M6x9	28	1	S416530004	Pin for switch W46 Rewind
	2	S414890080	Bushing Ø9xØ11x7	29	1	M0624203	Screw M6x30
	1	S4130900A7	Bushing Ø22xØ25x8.5	30	1	S663950004	Main shaft W40 Rewind
12	6	M0635103	Socket head screw M6x16 UNI 5931	31	1	S663980002	Disconnect rod 40 Rewind
13	1	S413150082	Washer Ø62xØ80x1.5	32	1	S416240041	Gear Z23
14	2	A74136000	Bearing Ø56xØ68x24	33	1	S664060004	Pawls carrier Ø8xN2 W40.2 RW
15			Winch Serial Number Sticker	34	1	S416260041	Disconnect flange
16	1	S4129400A0	Stripper arm support	35	2	M0614103	Ball 5-16" inox
17	1	S281680097	Red line	36	1	M0616603	Seeger Ring UNI 7435:1975 - Ø28 mat. 17-7 Ph
18	4	M0601803	Screw UNI EN ISO 1207:1996 - M6x35 - A4	37	1	M0630802	SMALLEY RING SSR0137-S17
19	3	M6007103	Screw M6x50 UNI6107	38	1	S664050043	Drum 40 C rewind
20	1	A76939400	Cover W40 CCC Rewind	39	1	A96939800	Assy jaws Winch 40 CCC Rewind Lower Jaw W40 CCC Rewind Upper Jaw W35/40 RAL9003 SPRING
				4	S385970001		

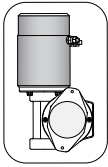
*Available with service kit; see website www.harken.com

**Winch product sticker

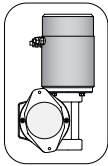


Horizontal electric motor 12V/24V

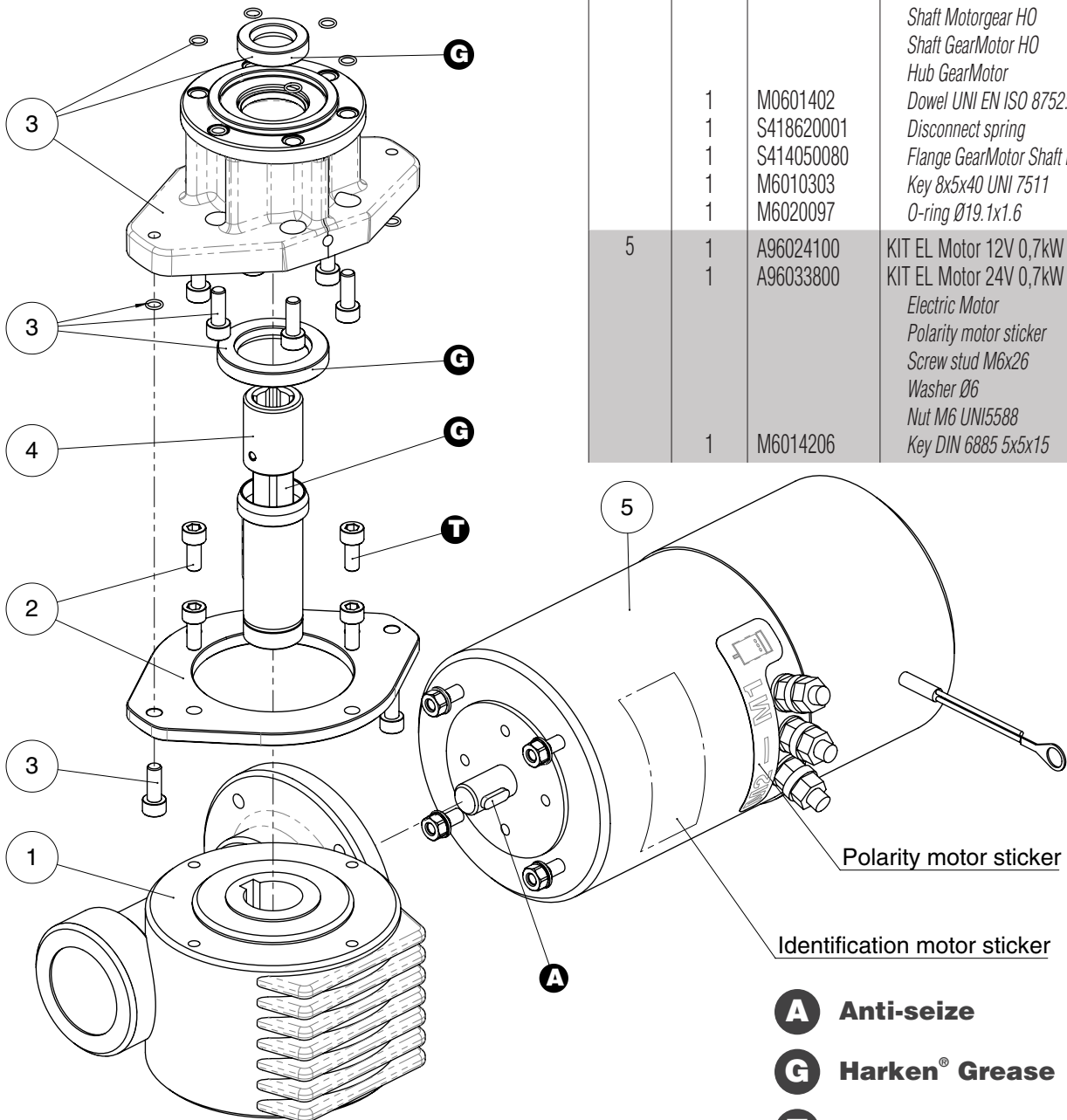
TOP VIEW



* Motor installed in right-hand configuration.



** Motor installed in left-hand configuration.



Pos.	Q.ty	Code	Description
1	1	A93127900	KIT Gear Reduction 1/24
	1	A94194900	KIT LM Gear Reduction 1/24
2	1	A94149200	KIT Assy Electric Motor Flange
	1	A94149200L	KIT Assy Electric Motor Flange Left
	4	M0606803	Screw M6x14 UNI 5931
3	1	A94149500	KIT EL HO Motor Flange
	8	S415360003	Screw M6x16 UNI EN ISO 5931:2003 precote coating
	8	M6015697	O-Ring Seal ORM 0055-10 (Ø5,5xØ1)
	1	M6007297	Lip seal Ø17xØ30x7
	1	M0612097	Sealer Ø30xØ47x7
4	1	A94161600	KIT EL HO Motor Clutch
			Shaft Motorgear HO
			Shaft GearMotor HO
			Hub GearMotor
	1	M0601402	Dowel UNI EN ISO 8752:2000- Ø4x24
	1	S418620001	Disconnect spring
1	S414050080	Flange GearMotor Shaft HO	
1	M6010303	Key 8x5x40 UNI 7511	
1	M6020097	O-ring Ø19.1x1.6	
5	1	A96024100	KIT EL Motor 12V 0,7kW
	1	A96033800	KIT EL Motor 24V 0,7kW
			Electric Motor
			Polarity motor sticker
			Screw stud M6x26
			Washer Ø6
			Nut M6 UNI5588
	1	M6014206	Key DIN 6885 5x5x15

- A** Anti-seize
- G** Harken® Grease
- T** Axial Threadlocker