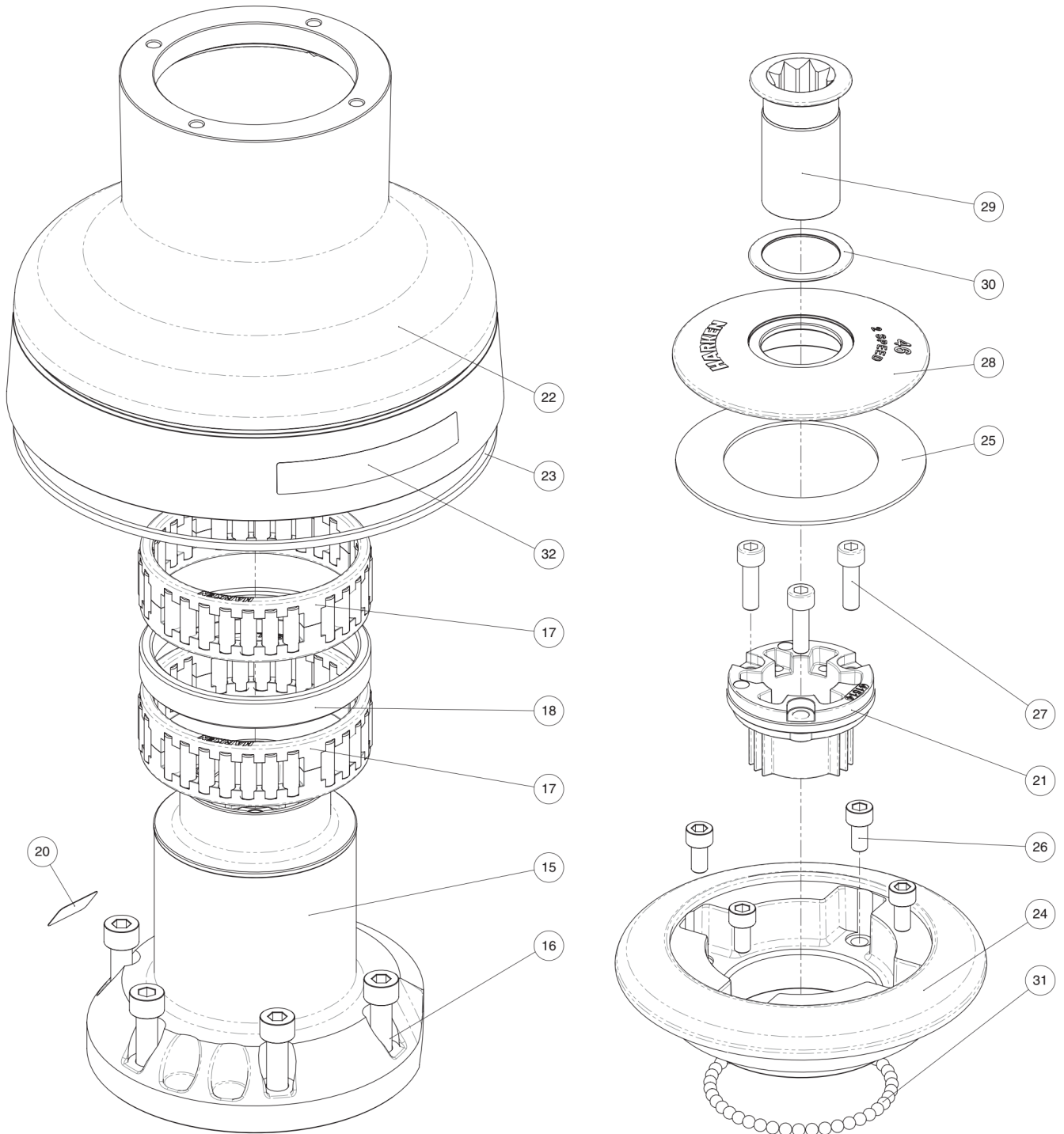
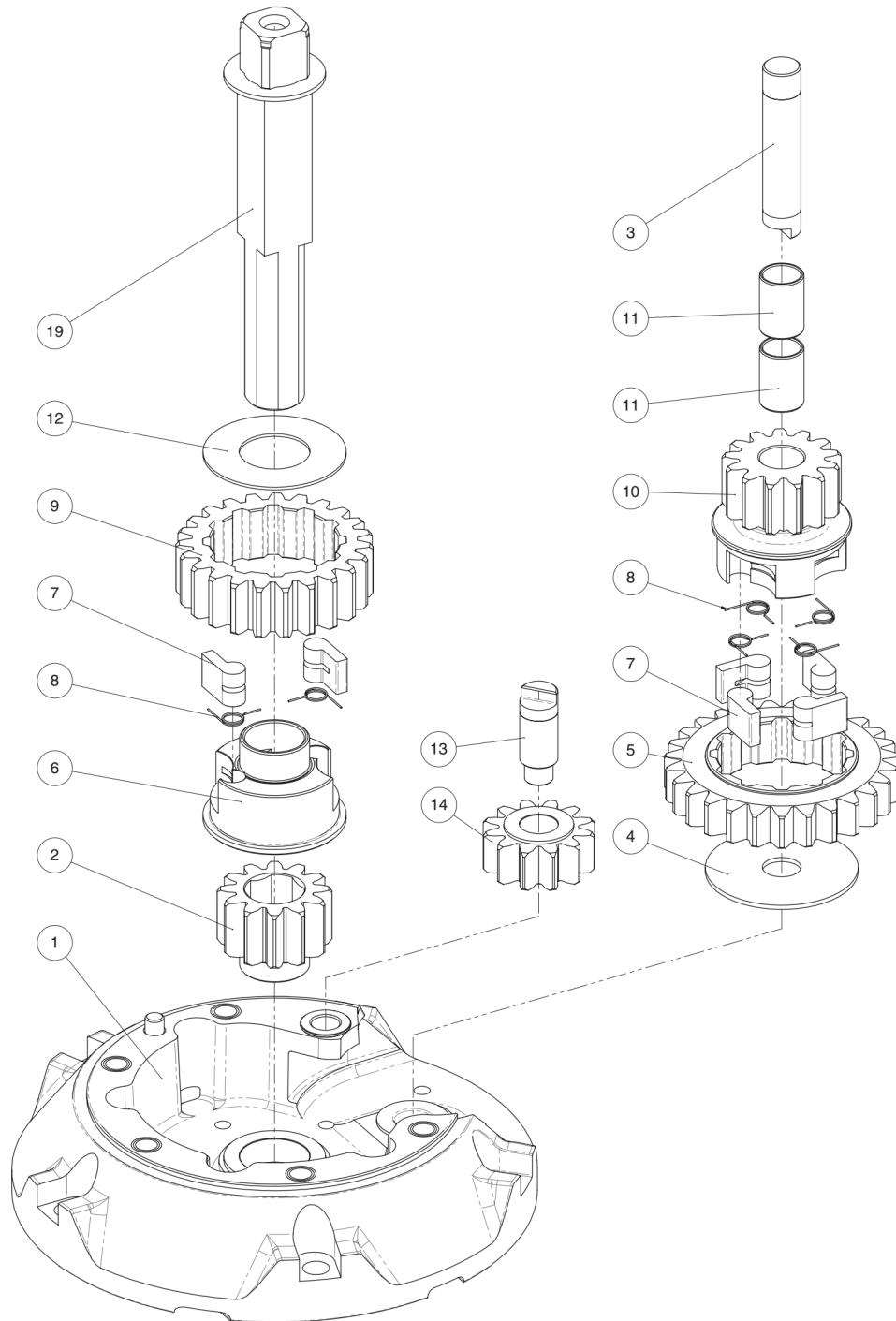


Radial Winch 46.2 PTBBB, PTCCC



Radial Winch 46.2 PTBBB, PTCCC



Radial Winch 46.2 PTBBB

BBB = all bronze

Pos.	Q.ty	Code	Description	Pos.	Q.ty	Code	Description
1	1	A96633300	PERFORMA Assy Base Winch 46 <i>PERFORMA Base W46 Heli-coil M8x10</i>	18	1	S413390080	Spacer
	1	S413350080	<i>Roller Ø6x19</i>	19	1	A94189400	Assy Central Shaft Winch 46 <i>Central shaft W46 PT</i>
	1	S4152300A7	<i>Bushing Ø22xØ25x9.5</i>		1	S413880002	<i>Washer Ø17.2xØ32x1.5</i>
	1	S414890080	<i>Bushing Ø9xØ11x7</i>	20			Winch Serial Number Sticker
	1	S413330085	<i>Bushing Ø12xØ14x11</i>	21	1	S4151400A0	Socket Support PT
2	1	S413020004	Gear Z12	22	1	S688150043	Drum W46 BBB
3	1	S413300004	Pin Ø12x60	23	1	S281690097	Red line
4	1	S278170002	Washer Ø12.5xØ48x1.5	24	1	S688030043	Plain Top W46 BBB
5	1	S413260004	Gear Z27	25	1	S678730082	Washer Ø57.5xØ93x1.5
6	1	S414260004	Pawls Carrier Ø8xN2	26	4	M0603703	Screw M6x12 UNI 5931
7	6	S000080003	Pawl Ø8*	27	3	M0600903	Screw M6x20 UNI5931
8	6	S000380001	Pawl Spring Ø8*	28	1	S688110043	Cover W46 PT BBB
9	1	S412830041	Gear Z23	29	1	A94136400	Assy Socket W20-80
10	1	S413250041	Pinion Z13		1	S415130085	<i>Socket Handle W20/80</i>
11	2	M6017694	IGUS Bushing PSM-1214-20		1	M0614303	<i>Washer Ø7.7xØ25x5.8</i>
				1		<i>Screw M8x20 UNI 6109</i>	
12	1	S413120002	Washer Ø22.5xØ45x1	30	1	S415220080	PT spacer
13	1	S413070004	Pin Ø9xØ12x32.5	31	43	M0619580	Ball 3/16"
14	1	A94133400	Assy Gear Z12 <i>Gear Z12</i>	32			Winch Product Sticker**
	2	S414900080	<i>Bushing Ø12xØ14x8</i>				
	15	1	A94132200		Assy Housing Winch 46 <i>Housing Winch 46 Heli-coil M6x9</i>		
15	1	S414900080	<i>Bushing Ø12xØ14x8</i>				
	1	S413330085	<i>Bushing Ø12xØ14x11</i>				
	1	S4133200B3	<i>Bushing for support</i>				
16	5	M0606303	Screw M8x25 UNI 5931				
17	2	A74133700	Bearing Ø75xØ87x26				

*Available with service kit; see website www.harken.com

**Winch product sticker

