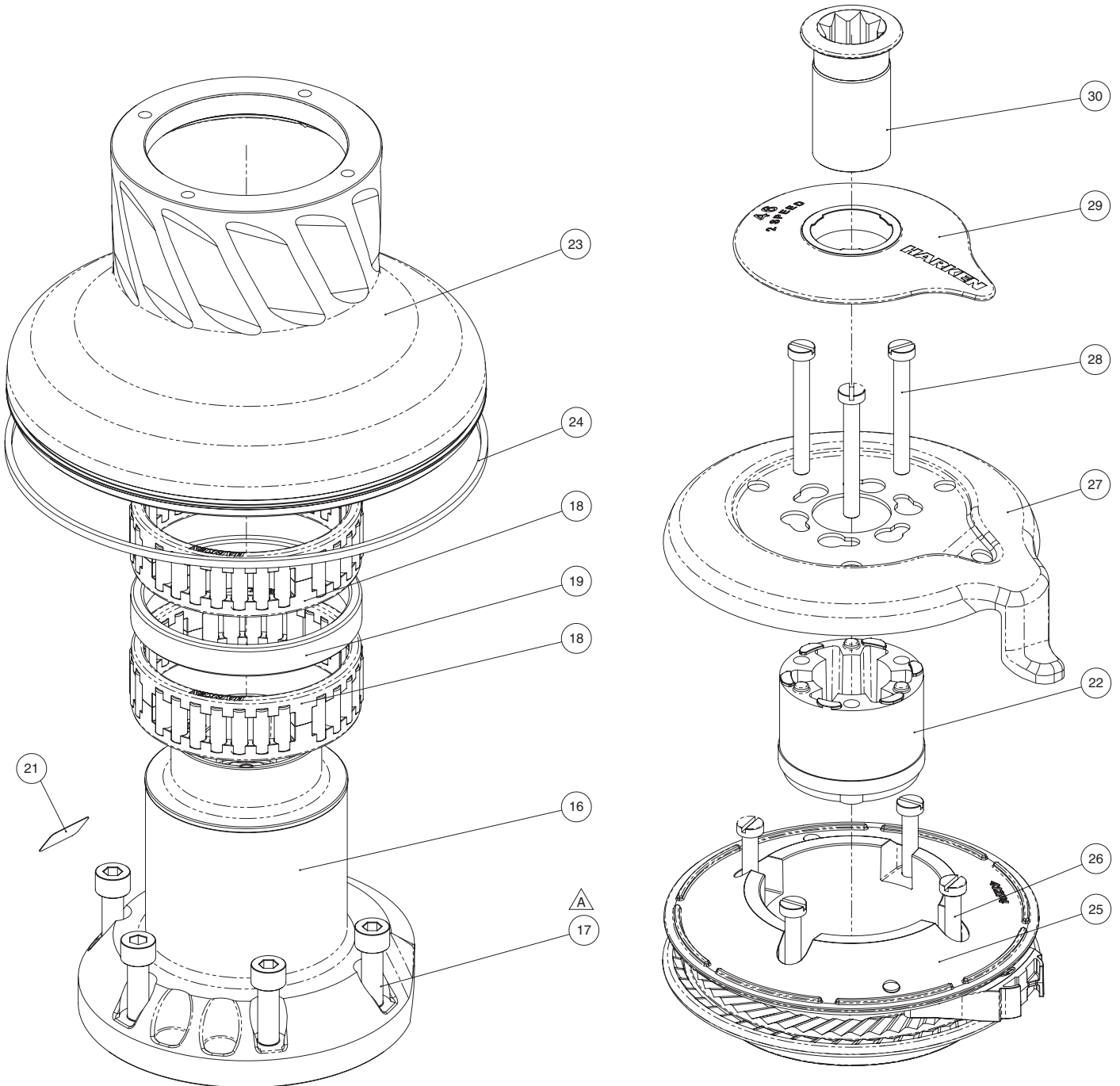


Exploded view

Radial Winch 46.2 STA, STC, STCW



Parts List

Radial Winch 46.2 STA

A= drum in anodised aluminium

Pos.	Q.ty	Code	Description	Pos.	Q.ty	Code	Description
1	1	A94132100	Assy Base Winch 46 Base W46 Heli-coil M8x10	18	2	A74133700	Bearing Ø75xØ87x26
	1	S413350080	Roller Ø6x19	19	1	S413390080	Spacer
	1	S4152300A7	Bushing Ø22xØ25x9.5	20	1	A94161400	Assy Central Shaft Winch 46 Central shaft W46 ST
	1	S414890080	Bushing Ø9xØ11x7	1	1	S413880002	Washer Ø17.2xØ32x1.5
	1	S413330085	Bushing Ø12xØ14x11	21			Winch Serial Number Sticker
2	1	A941323 00	Assy Skirt Winch 46 Skirt W46 Winch Product Sticker**	22	1	S4129400A0	Stripper arm support
3	1	S413020004	Gear Z12	23	1	S412720053	Drum W46
4	1	S413300004	Pin Ø12x60	24	1	S281690097	Red line
5	1	S278170002	Washer Ø12.5xØ48x1.5	25	1	A94127300	Assy Jaws winch 46 Lower Jaw W46 Upper Jaw W46
6	1	S413260004	Gear Z27	1	1	S414280080	Peeler W46 - 50
7	1	S414260004	Pawls Carrier Ø8xN2	4	4	S385970001	SPRING
8	6	S000080003	Pawl Ø8*	26	4	M0601803	Screw UNI EN ISO 1207:1996 - M6x35 - A4
9	6	S000380001	Pawl Spring Ø8*	27	1	S413380019	Stripper Arm W46
10	1	S412830041	Gear Z23	28	3	M6007103	Screw M6x50 UNI6107
11	1	S413250041	Pinion Z13	29	1	S4127000A5	Cover 2 speed W46
12	2	M6017694	IGUS Bushing PSM-1214-20	30	1	A94136400	Assy Socket W20-80 Socket Handle W20/80
13	1	S413120002	Washer Ø22.5xØ45x1	1	1	S415130085	Washer Ø7.7xØ25x5.8
14	1	S413070004	Pin Ø9-Ø12x32.5	1	1	M0614303	Screw M8x20 UNI 6109
15	1	A94133400	Assy Gear Z12 Gear Z12				
	2	S414900080	Bushing Ø12xØ14x8				
16	1	A94132200	Assy Housing Winch 46 Housing Winch 46				
	1	S414900080	Bushing Ø12xØ14x8				
	1	S413330085	Bushing Ø12xØ14x11				
	1	S4133200B3	Heli-coil M6x9 Bushing for support				
17	5	M0606303	Screw M8x25 UNI 5931				

*Available with service kit; see website www.harken.com

**Winch product sticker

