

## Performa Winch 46.2 STP E/HY

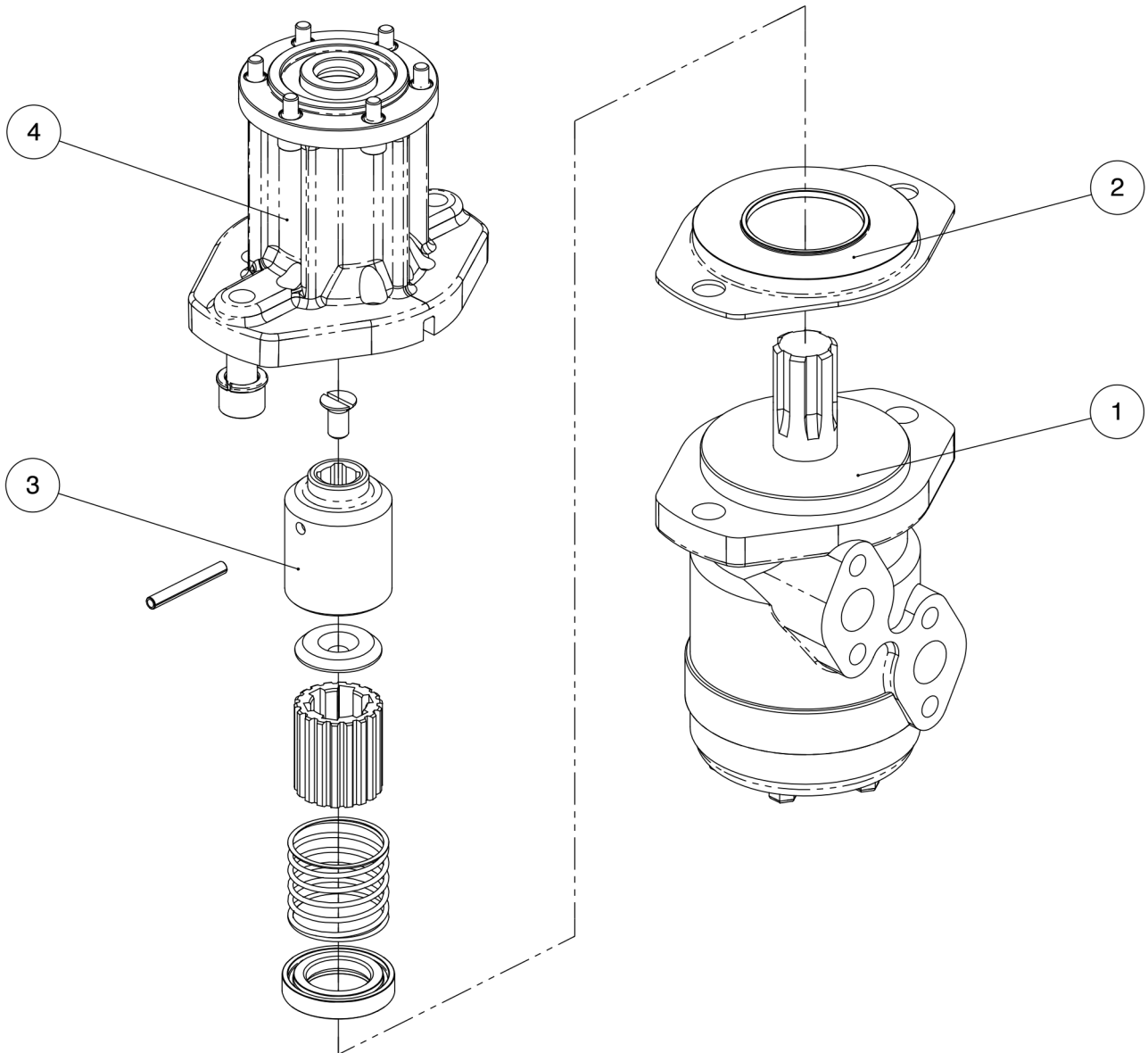
Pos	Q.ty	Code	Description	Pos	Q.ty	Code	Description
1	1	A 966339 00	PERFORMA Assy Base Winch 46 EL/HY <i>PERFORMA Base W46 Heli-coil M8x10 Roller Ø6x19 Bushing Ø22xØ25x8.5 Bushing Ø9xØ11x7 Bushing Ø12xØ14x11</i>	17	2	A 741337 00	Bearing Ø75xØ87x26*
2	1	S 41302 00 04	Gear Z12	18	1	S 41339 00 80	Spacer*
3	1	S 41330 00 04	Pin ø12x60	19	1	A 967770 00	Assy Central Shaft W46 EL/HY <i>Central Shaft W46 EL/HY Washer Ø17.2xØ32x1.5</i>
4	1	S278170002	Washer 12.5x48x1.5*	20	1	S 41876 00 63	Winch Serial Number Sticker
5	1	S 41326 00 04	Gear Z27	21	1	S 41294 00 A0	Stripper arm support
6	1	S 41426 00 04	Pawls Carrier Ø8xN2	22	1	A 965895 00	Performa Assy Jaws W46 <i>Lower Jaw W46 Performa Upper jaw W46 Peeler W46 - 50 SPRING</i>
7	6	S000090004	Pawl Ø 8*	23	4	M0601803	Vite UNI EN ISO 1207:1996 - M6x35 - A4*
8	6	S 00038 00 01	Pawl Spring dia 8*	24	1	S 65739 00 19	Performa Black Stripper Arm W46
9	1	S 41283 00 41	Gear Z23	25	3	M6007103	Screw M6x50 UNI6107*
10	1	S 41325 00 41	Pinion Z13	26	1	S 41270 00 A5	Cover 2 speed W46
11	2	M6017694	IGUS Bushing PSM-1214-20*	27	1	A 941493 00	Assieme Socket W35-80 EL/HY <i>Socket Handle W20/80 Washer ø25xø15x4 Nut Screw for Disconnect Rod O ring RC 2025 series</i>
12	1	S 41312 00 02	Washer Ø22.5xØ45x1*	28	1	A 965723 00	Performa W46 Drum <i>Performa Drum W46 Ball 3/16" Bearing ring W46 Winch Product Sticker**</i>
13	1	S 41307 00 04	Pin ø9-ø12x32.5	29	1	S 65730 00 52	Performa Shim W46
14	1	A 941334 00	Assy Gear Z12 <i>Gear Z12 Bushing Ø12xØ14x8</i>	30	1	S 41611 00 02	Disconnect Rod W46
15	1	A 941322 00	Assy Housing Winch 46 <i>Housing Winch 46 Bushing Ø12xØ14x8 Bushing Ø12xØ14x11 Heli-coil M6x9 Bushing for support</i>				
16	5	M0606303	Screw M8x25 UNI 5931*				

\*Service kit available; see winch kit section on the website [www.harken.com](http://www.harken.com)

\*\*Winch product sticker



Hydraulic motor



Pos	Q.ty	Code	Description
1	1	G45942000Y	Hydraulic motor "OMR50 151-0420 alb.scan. 1"
2	1	S 41500 00 80	Hydraulic Motor Spacer
3	1	A 941932 00	KIT Clutch HY Motor (OMR50)
4	1	A 941491 00	KIT HY Motor Flange (OMR50)