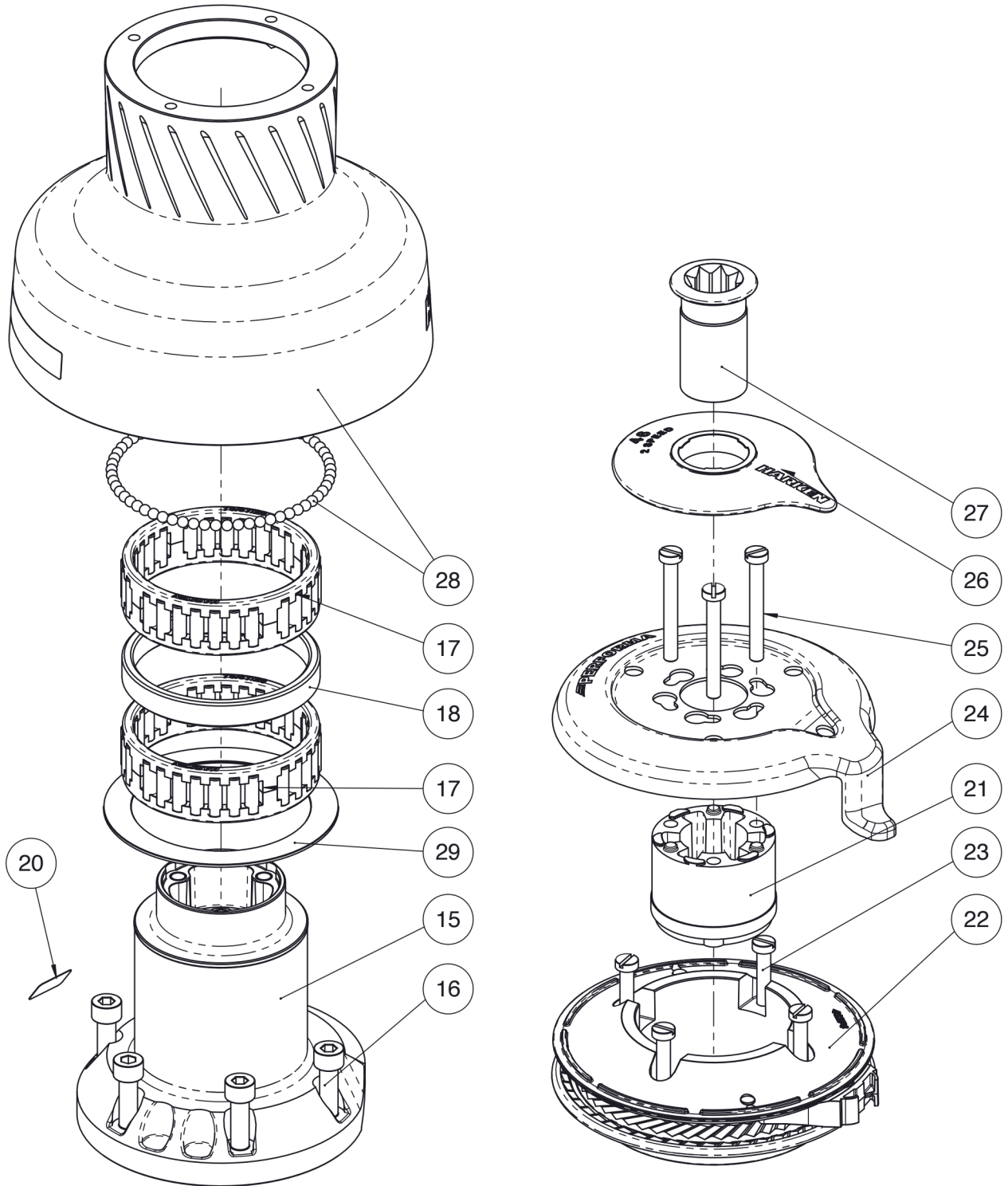
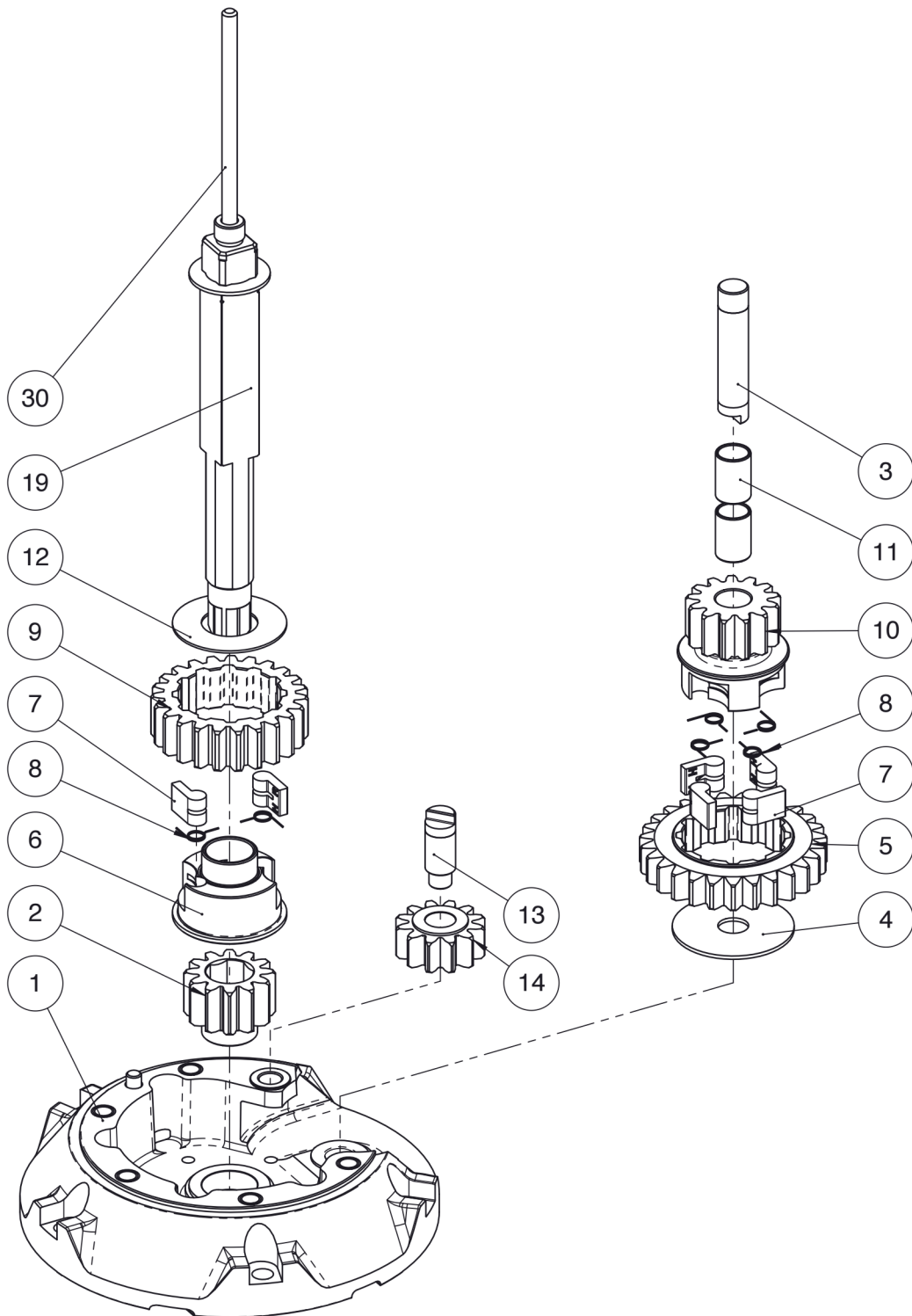


Performa Winch 46.2 STP E/HY



## Performa Winch 46.2 STP E/HY



## Performa Winch 46.2 STP E/HY

Pos	Q.ty	Code	Description	Pos	Q.ty	Code	Description
1	1	A96633900	PERFORMA Assy Base Winch 46 EL/HY	17	2	A74133700	Bearing Ø75xØ87x26
			<i>PERFORMA Base W46</i>	18	1	S413390080	Spacer
	1	S413350080	<i>Heli-coil M8x10</i>	19	1	A96777000	Assy Central Shaft W46 EL/HY
	1	S4130900A7	<i>Roller Ø6x19</i>				<i>Central Shaft W46 EL/HY</i>
	1	S414890080	<i>Bushing Ø22xØ25x8.5</i>		1	S413880002	<i>Washer Ø17.2xØ32x1.5</i>
	1	S413330085	<i>Bushing Ø9xØ11x7</i>	20	1		Winch Serial Number Sticker
	1	S413330085	<i>Bushing Ø12xØ14x11</i>	21	1	S4129400A0	Stripper arm support
2	1	S413020004	Gear Z12	22	1	A96589500	Performa Assy Jaws W46
3	1	S413300004	Pin Ø12x60				<i>Lower Jaw W46</i>
4	1	S278170002	Washer Ø12.5xØ48x1.5				<i>Performa Upper jaw W46</i>
5	1	S413260004	Gear Z27	1	S414280080	<i>Peeler W46 - 50</i>	
6	1	S414260004	Pawls Carrier Ø8xN2	4	S385970001	<i>SPRING</i>	
7	6	S000090004	Pawl Ø8*	23	4	M0601803	Screw UNI EN ISO 1207:1996 - M6x35 - A4
8	6	S000380001	Pawl Spring Ø8*	24	1	S657390019	Performa Black Stripper Arm W46
9	1	S412830041	Gear Z23	25	3	M6007103	Screw M6x50 UNI6107
10	1	S413250041	Pinion Z13	26	1	S4127000A5	Cover 2 speed W46
11	2	M6017694	IGUS Bushing PSM-1214-20	27	1	A94149300	Assy Socket W35-80 EL/HY
12	1	S413120002	Washer Ø22.5xØ45x1				<i>Socket Handle W20/80</i>
13	1	S413070004	Pin Ø9xØ12x32.5	1	S414940085	<i>Washer Ø25xØ15x4</i>	
14	1	A94133400	Assy Gear Z12	1	S414930003	<i>Nut Screw for Disconnect Rod</i>	
			<i>Gear Z12</i>	1	M0679797	<i>O ring RC 2025 series</i>	
	2	S414900080	<i>Bushing Ø12xØ14x8</i>	28	1	A96572300	Performa W46 Drum
15	1	A94132200	Assy Housing Winch 46				<i>Performa Drum W46</i>
			<i>Housing Winch 46</i>	61	M0619580	<i>Ball 3/16"</i>	
			<i>Heli-coil M6x9</i>	1	S6572900A3	<i>Bearing ring W46</i>	
	1	S414900080	<i>Bushing Ø12xØ14x8</i>				<i>Winch Product Sticker**</i>
	1	S413330085	<i>Bushing Ø12xØ14x11</i>	29	1	S657300052	Performa Shim W46
	1	S4133200B3	<i>Bushing for support</i>	30	1	S416110002	Disconnect Rod W46
16	5	M0606303	Screw M8x25 UNI 5931				

\*Available with service kit; see website [www.harken.com](http://www.harken.com)

\*\*Winch product sticker



Hydraulic motor

Pos	Q.ty	Code	Description	Pos	Q.ty	Code	Description
1	1	G045942000Y	Hydraulic motor W46-60	4	1	A94149100	KIT HY Motor Flange W46-70
2	1	S415000080	Hydraulic Motor Spacer	6	1	S415360003	Hydraulic Motorgear Flange Screw M6x16 UNI EN ISO 5931:2003 precote coating
3	1	A94193200	KIT Clutch HY Motor W46-70	6	1	M6015697	O-Ring Seal ORM 0055-10 (Ø5,5 x Ø1)
			Toothed coupling	1	1	M6007297	Lip seal Ø17xØ30x7
			Connecting Coupling Ø31.5	2	1	M0621503	Washer D.13 U1751 DIN127
1	1	M0620401	Spring pin 5x40 DIN1481	2	1	M0667103	Screw M12x35 UNI5931
1	1	S415010080	Bushing				
1	1	S326490001	Spring				
1	1	S329360082	Washer				
1	1	M0635303	Screw M8x16 UNI6109				

