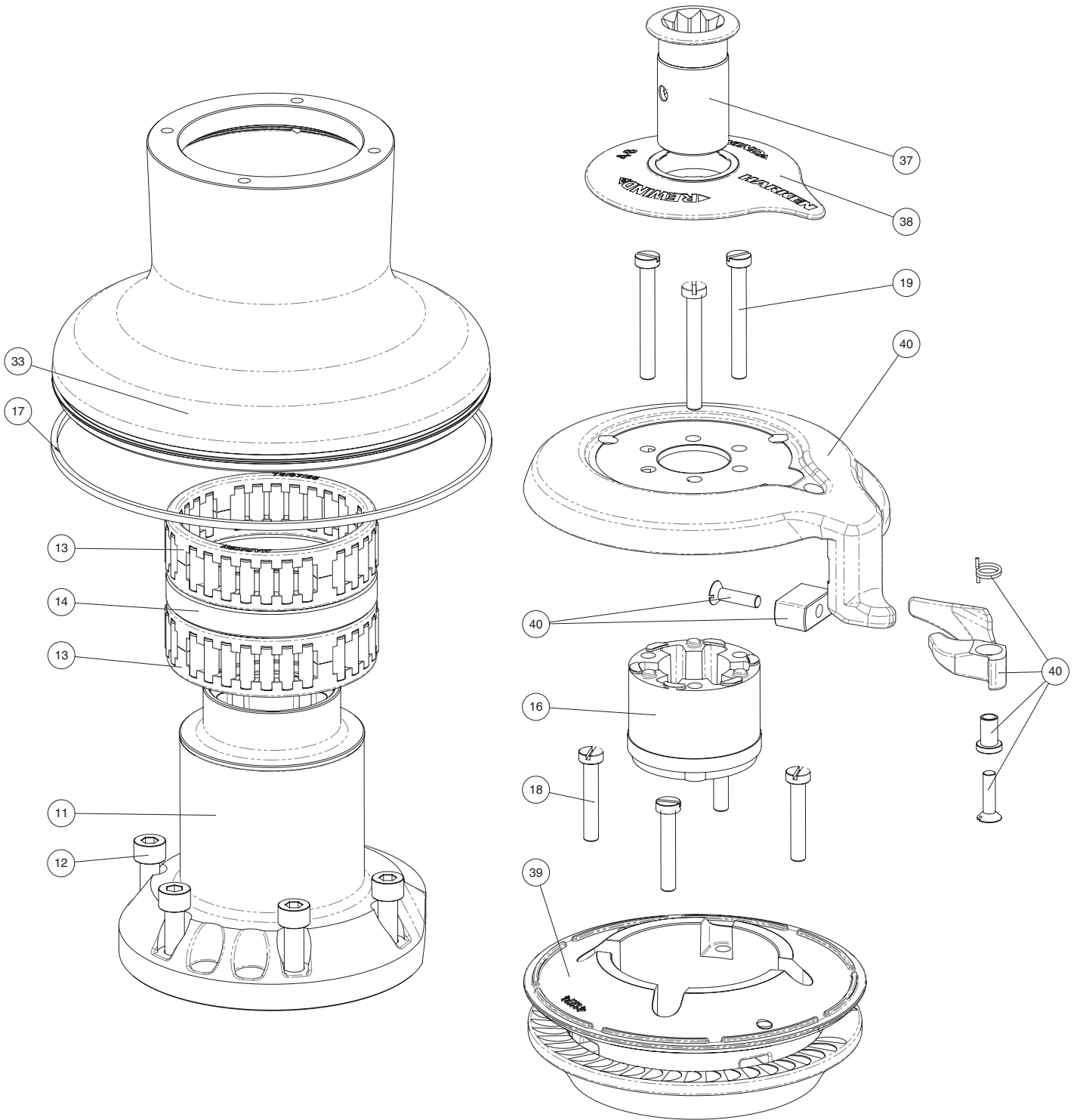


Exploded view

46 Rewind STA, STC, STCW, STBBB, STCCC EL Winch



46 Rewind™ STBBB EL Winch

BBB = all bronze

Pos.	Q.ty	Code	Description	Pos.	Q.ty	Code	Description
1	1	A94164101	W46 RW Base Assembly <i>W46 RW Base</i>	22	1	S416260041	Disconnect flange
			<i>Heli-coil M8x10</i>	23	2	M0614103	Ball 5-16" inox
	1	S413350080	<i>Roller Ø6x19</i>	24	1	M0616603	Seeger Ring UNI 7435:1975 - Ø28 mat. 17-7 Ph
	1	S414890080	<i>Bushing Ø9xØ11x7</i>	25	1	M0630802	SMALLEY RING SSR0137-S17
	1	S413330085	<i>Bushing Ø12xØ14x11</i>	26	1	S416250004	Pawls carrier Ø8xN2
	1	S4130900A7	<i>Bushing Ø22xØ25x8.5</i>	27	1	S416240041	Gear Z23
	1	M6009463	<i>Spring loaded ball plunger Ø6</i>	28	1	S416300002	Disconnect rod 46 Rewind
2	1	A96938300	Assy Skirt Winch 46 BBB Rewind <i>Skirt W46.2 RW BBB</i> <i>Winch Product Sticker**</i>	29	1	S416530004	Pin for switch W46 Rewind
3	1	S413300004	Pin Ø12x60	30	1	M0624203	Screw M6x30
4	1	S278170002	Washer Ø12.5xØ48x1.5	31	1	S418590001	Spring Ø10.67x12.7 rif.SPEC C0420-035-0500S
5	6	S000080003	Pawl Ø8*	32	1	A74165000	Command x W46 Rewind
6	6	S000380001	Pawl Spring Ø8*	33	1	S693840043	Drum W46 BBB Rewind
7	1	S413250041	Pinion Z13	34	1	A94191800	Assy knob W46 Rewind <i>Knob W46 Rewind</i>
8	2	M6017694	Bushing PSM-1214-20		1	S419190004	<i>Heli-coil M4x8</i>
9	1	S413070004	Pin Ø9xØ12x32.5		1	S419200041	<i>Pin for knob</i>
10	1	A94133400	Assy Gear Z12 <i>Gear Z12</i>		1	S497400080	<i>Bushing Ø6.5xØ4x3</i> Knob W46 rewind
	2	S414900080	<i>Bushing Ø12xØ14x8</i>	35	1	S497400080	Knob W46 rewind
11	1	A96756700	W46 RW Housing Assembly <i>W46 RW Housing</i>	36	1	M0624103	Screw M4x16 UNI5931
			<i>Heli-coil M6x9</i>	37	1	A94165200	Assy socket W46 Rewind
	1	S414900080	<i>Bushing Ø12xØ14x8</i>		1	S414940085	<i>Socket Handle W46 Rewind</i>
	1	S413330085	<i>Bushing Ø12xØ14x11</i>		1	S414930003	<i>Washer Ø25xØ15x4</i>
	1	S4133200B3	<i>Bushing for support</i>		1	M0679797	<i>Nut Screw for Disconnect Rod</i>
12	5	M0606303	Screw M8x25 UNI 5931		1	M0679797	<i>O ring RC 2025 series</i>
13	2	A74133700	Bearing Ø75xØ87x26	38	1	A76938800	Cover W46 BBB Rewind
14	1	S413390080	Spacer	39	1	A96938500	Assy jaws Winch 46 BBB Rewind
15			Winch Serial Number Sticker				<i>Lower Jaw W46 BBB Rewind</i>
16	1	S4129400A0	Stripper arm support		4	S385970001	<i>Upper Jaw W46</i> SPRING
17	1	S281690097	Red line	40	1	A76938600	Stripper arm Winch 46 BBB Rewind
18	4	M0601803	Screw UNI EN ISO 1207:1996 - M6x35 - A4		1	S6938700F0	<i>Stripper arm W46 BBB Rewind</i>
19	3	M6007103	Screw M6x50 UNI6107		1	S416570001	<i>Peeler W46 BBB Rewind</i>
20	1	S416540004	Gear Z27		1	S416580041	<i>Spring stripper arm W46 Rewind</i>
21	1	S416280004	Main shaft W46 Rewind		1	S416580041	<i>Bushing</i>
					1	S419170080	<i>Slider</i>
					2	M0619003	<i>Screw M5x20 UNI 6109</i>

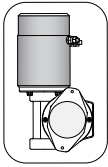
*Available with service kit; see website www.harken.com

**Winch product sticker

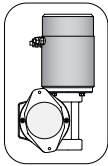


Horizontal electric motor 12V/24V

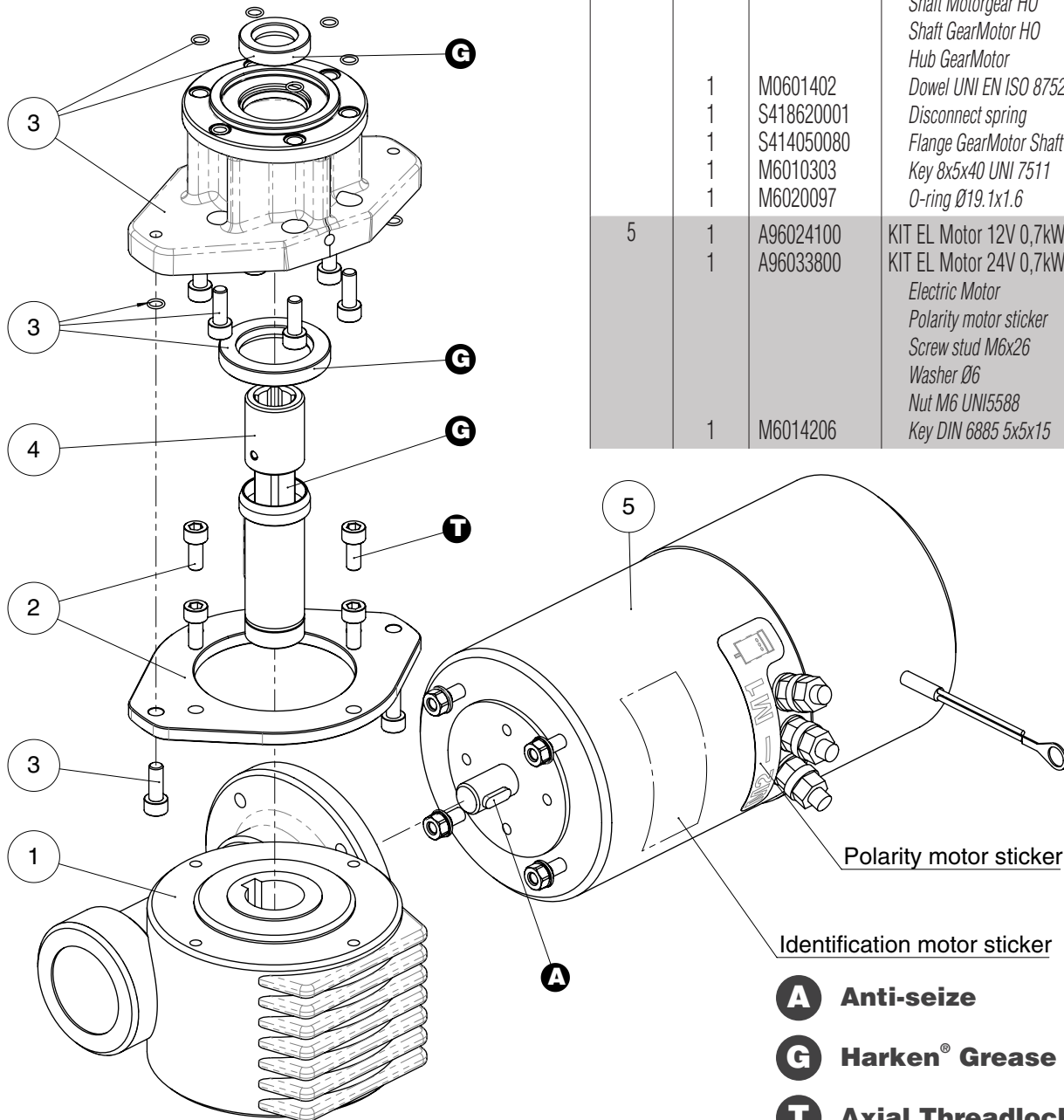
TOP VIEW



* Motor installed in right-hand configuration.



** Motor installed in left-hand configuration.

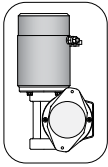


Pos.	Q.ty	Code	Description
1	1	A93127900	KIT Gear Reduction 1/24
	1	A94194900	KIT LM Gear Reduction 1/24
2	1	A94149200	KIT Assy Electric Motor Flange
	1	A94149200L	KIT Assy Electric Motor Flange Left
	4	M0606803	Electric Motor Flange Screw M6x14 UNI 5931
3	1	A94149500	KIT EL HO Motor Flange
	8	S415360003	Horizontal Motorgear Flange Screw M6x16 UNI EN ISO 5931:2003 precote coating
	8	M6015697	O-Ring Seal ORM 0055-10 (Ø5,5xØ1)
	1	M6007297	Lip seal Ø17xØ30x7
	1	M0612097	Sealer Ø30xØ47x7
4	1	A94161600	KIT EL HO Motor Clutch
			Shaft Motorgear HO
			Shaft GearMotor HO
			Hub GearMotor
	1	M0601402	Dowel UNI EN ISO 8752:2000- Ø4x24
	1	S418620001	Disconnect spring
	1	S414050080	Flange GearMotor Shaft HO
1	M6010303	Key 8x5x40 UNI 7511	
1	M6020097	O-ring Ø19.1x1.6	
5	1	A96024100	KIT EL Motor 12V 0,7kW
	1	A96033800	KIT EL Motor 24V 0,7kW
			Electric Motor
			Polarity motor sticker
			Screw stud M6x26
			Washer Ø6
			Nut M6 UNI5588
	1	M6014206	Key DIN 6885 5x5x15

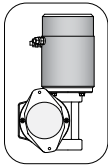
- A** Anti-seize
- G** Harken® Grease
- T** Axial Threadlocker

Horizontal electric motor 24V H82

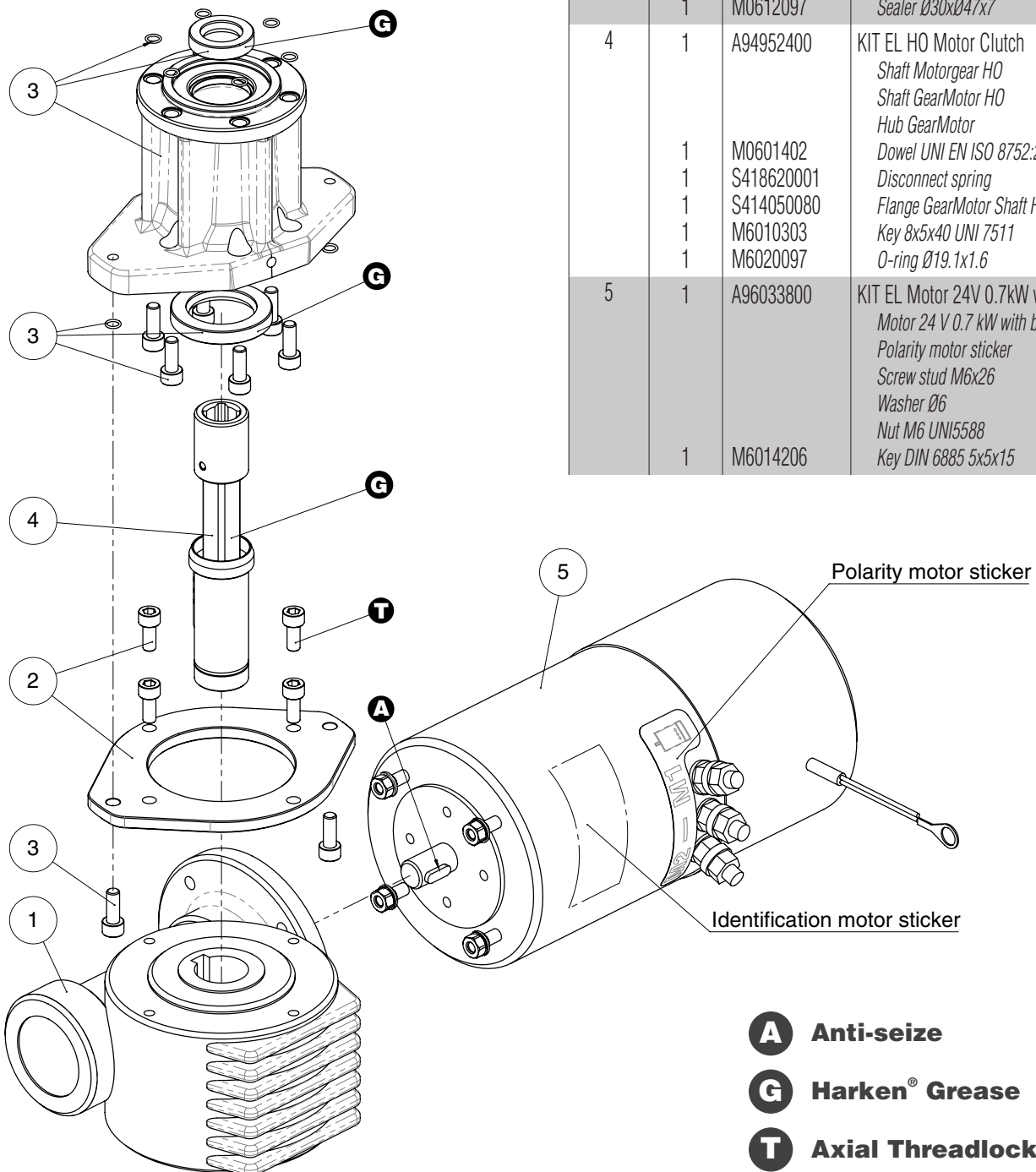
TOP VIEW



* Motor installed in right-hand configuration.



** Motor installed in left-hand configuration.



Pos.	Q.ty	Code	Description
1	1	A93127900	KIT Gear Reduction 1/24
	1	A94194900	KIT LM Gear Reduction 1/24
2	1	A94149200	KIT Assy Electric Motor Flange
	1	A94149200L	KIT Assy Electric Motor Flange Left
			Electric Motor Flange
	4	M0606803	Screw M6x14 UNI 5931
3	1	A94966500	KIT EL HO Motor Flange (H82)
			Horizontal Motorgear Flange
	8	S415360003	Screw M6x16 UNI EN ISO 5931:2003 precote coating
	8	M6015697	O-Ring Seal ORM 0055-10 (Ø5,5xØ1)
	1	M6007297	Lip seal Ø17xØ30x7
	1	M0612097	Sealer Ø30xØ47x7
4	1	A94952400	KIT EL HO Motor Clutch
			Shaft Motorgear HO
			Shaft GearMotor HO
			Hub GearMotor
	1	M0601402	Dowel UNI EN ISO 8752:2000- Ø4x24
	1	S418620001	Disconnect spring
	1	S414050080	Flange GearMotor Shaft HO
1	M6010303	Key 8x5x40 UNI 7511	
1	M6020097	O-ring Ø19.1x1.6	
5	1	A96033800	KIT EL Motor 24V 0.7kW with brake
			Motor 24 V 0.7 kW with brake
			Polarity motor sticker
			Screw stud M6x26
			Washer Ø6
			Nut M6 UNI5588
	1	M6014206	Key DIN 6885 5x5x15

- A** Anti-seize
- G** Harken® Grease
- T** Axial Threadlocker