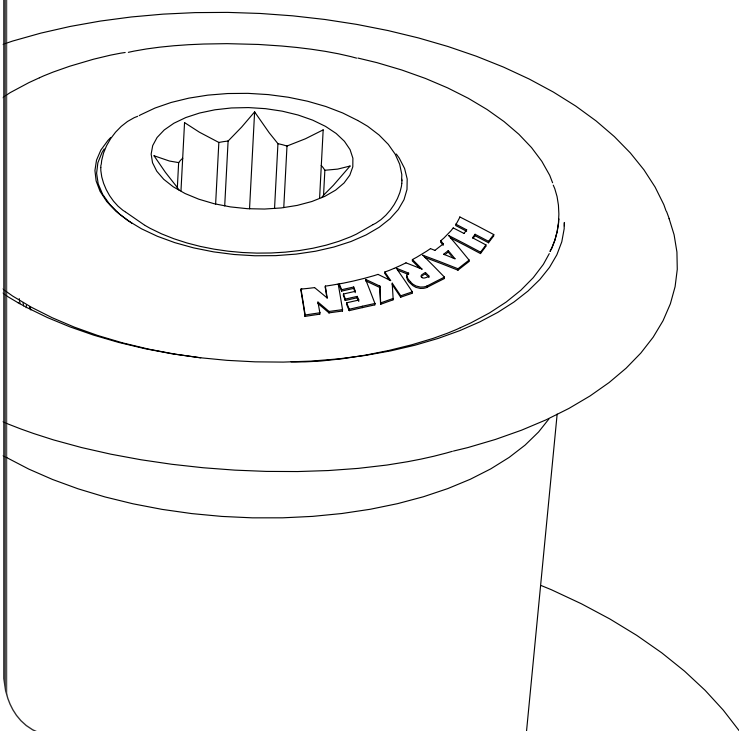


Installation and Maintenance Manual

MRW-A

Radial Winch 50.2 PT **BBB / CCC**



HARKEN[®]

Introduction	3
Technical characteristics	3
<i>Weights</i>	3
<i>Maximum working load</i>	3
Outline	3
Installation	4
<i>Procedure</i>	5
<i>Installation procedure</i>	6
Maintenance	7
<i>Washing</i>	7
<i>Maintenance table</i>	7
<i>Disassembly procedure</i>	7
<i>Exploded view with maintenance products</i>	11
<i>Assembly</i>	12
Harken® limited worldwide warranty	12
Ordering spare parts	12
Exploded view	14
Parts List	16
<i>Radial Winch 50 PTBBB</i>	16
<i>Radial Winch 50 PTCCC</i>	17

Introduction

This manual gives technical information on winch installation and maintenance, including disassembling and reassembling.

This information is DESTINED EXCLUSIVELY for specialised personnel or expert users.

Installation, disassembling and reassembling of the winch by personnel who are not experts may cause serious damage to users and those in the vicinity of the winch.

Harken® accepts no responsibility for defective installation or reassembly of its winches.

In case of doubt the Harken® Tech Service is at your disposal at techservice@harken.it

This Manual is available only in English. If you do not fully understand the English language, do not carry out the operations described in this Manual.

Technical characteristics

	Power ratio	Gear ratio
1st speed	10,90: 1	2,40 : 1
2nd speed	50,40 : 1	10,90 : 1

The theoretical power ratio does not take friction into account.

Weights

	PT BBB/CCC versions
Weight (Kg)	11,60

Versions:

BBB = all bronze

CCC = All-Chrome bronze

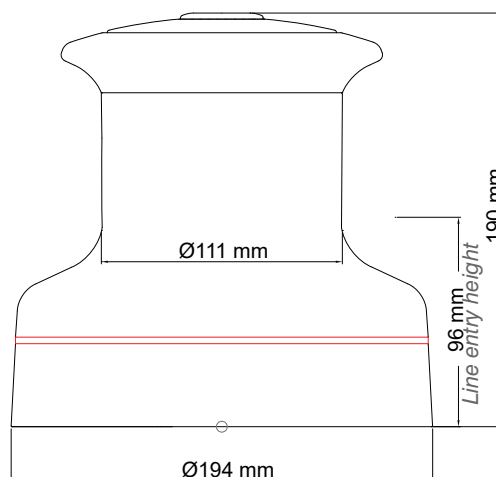
Maximum working load



WARNING!

The maximum working load (MWL) for the 50.2 PT Radial Winch is 1450 Kg (3197 lb). Subjecting the winch to loads above the maximum working load can cause the winch to fail or pull off the deck suddenly and unexpectedly during high loads causing severe injury or death.

Outline



Installation

The winch must be installed on a flat area of the deck, reinforced if necessary to bear a load equal to at least twice the maximum working load of the winch.

It is the installer's responsibility to carry out all structural tests needed to ensure that the deck can bear the load.

Harken® does not supply the screws needed to install the winch since these may vary depending on the deck on which it is to be installed. It is the installer's responsibility to choose the correct screws taking account of the loads they will have to bear. Harken® assumes no responsibility for incorrect installation of its winches or for an incorrect choice of mounting screws.



DANGER!

Incorrect installation of the winch may cause severe injury or death. Consult the yard that built the boat in the case of doubt over the correct positioning of the winch.



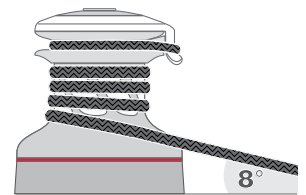
WARNING!

Failure to use the correct number and type of mounting fasteners or failure to ensure the correct deck strength can result in the winch pulling off the deck suddenly and unexpectedly during high loads causing severe injury or death.



WARNING!

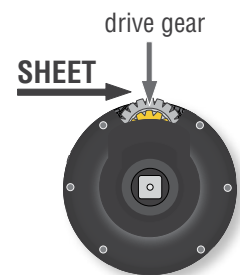
Verify the entry angle of the sheet. This must be 8° with tolerance of $\pm 2^\circ$, to avoid sheet overrides and damaging the winch or making the winch inoperable leading to loss of control of the boat which can lead to severe injury or death.



WARNING!

Mount the winch on the deck so that the drive gear is positioned where the sheet enters the winch drum.

Incorrect position of drive gear can weaken winch leading to failure which can cause an accident leading to severe injury or death.



Once you have chosen the correct mounting position for the winch on the deck proceed with installation.

The winch can be installed following the **Procedure** below:


Procedure

To install the winch you must remove the drum and use Socket Head (SH) and Hexagonal Headed (HH) bolts.

Tools needed

 One medium flat-bladed screwdriver

To identify the various parts, refer to the exploded view at the end of this Manual.

 Torque to apply when assembling



1. Unscrew the central screw ($\approx 2\text{Nm}/18\text{ in-lb}$)



2. Slide off the assy socket n°31 and the cover n°29



3. Lift off the drum n°23

Install the winch on the deck in the position you have chosen, keeping in mind the limits described on page 3.

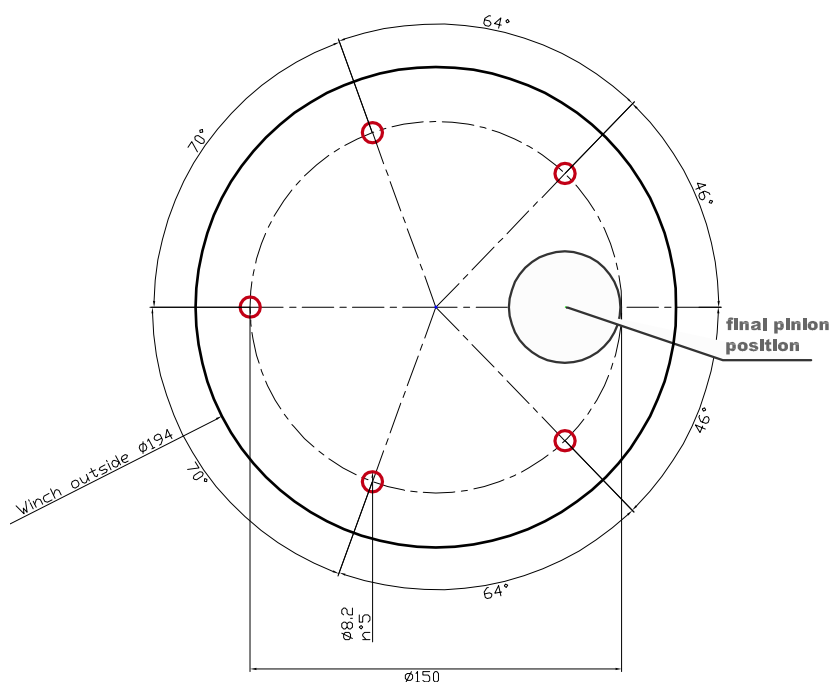
Installation procedure

Carry out the **Procedur**, then install the winch on the deck in the chosen position.

- A.** Position the base of the winch on the deck and mark the position of the holes or use the drilling cut-out template at the point where you have decided to place the winch.

Below is a reduced scale diagram.

The drilling cut out template is available on the Harken® website, www.harken.com



- B.** Remove the winch and drill the five 8.2 mm diameter holes.
- C.** Bolt the base of the winch to the deck using five M8 bolts (not supplied by Harken®), correctly chosen for the thickness and type of the boat deck. Consult the yard that built the boat in case of doubt.



WARNING!

To install the winch on the deck, use only bolts in A4 stainless steel (DIN 267 part11). Bolts made of other materials may not have sufficient strength or may corrode which can result in winch pulling off deck suddenly and unexpectedly during high loads causing severe injury or death.

NOTICE

To mount winches on the deck, do not use countersunk bolts.

- D.** Fill the mounting holes with a suitable marine sealant.
- E.** Remove the excess adhesive/sealant from the holes and base drainage channels
- F.** Reassemble the winch following the steps in the **Procedur** in the reverse order, and apply the products indicated in the section on maintenance.

NOTICE

Before closing the winch, make sure the holes and drainage channels in the base of the winch are not obstructed.

MaintenanceWashing

Winches must be washed frequently with fresh water, and in any case after each use. Do not allow teak cleaning products or other cleaners containing caustic solutions to come into contact with winches and especially anodised, chrome plated or plastic parts. Do not use solvents, polishes or abrasive pastes on the logos or stickers on the winches. Make sure that the holes and drainage channels in the base of the winch are not obstructed so that water does not collect.

Maintenance table

Winches must be visually inspected at the beginning and end of every season of sailing or racing. In addition they must be completely overhauled, cleaned and lubricated at least every 12 months. After an inspection, replace worn or damaged components. Do not replace or modify any part of the winch with a part that is not original.

**WARNING!**

Periodic maintenance must be carried out regularly. Lack of adequate maintenance shortens the life of the winch, can cause serious injury and also invalidate the winch warranty. Installation and maintenance of winches must be carried out exclusively by specialized personnel.

In the case of doubt contact Harken® Tech Service at techservice@harken.it

Disassembly procedure*Tools needed*

One medium flat-bladed screwdriver

A number five hex key



A number six hex key

Rags

To identify the various parts refer to the exploded view at the end of this Manual.

 Torque to be applied in assembly phase

Carry out the **Procedure** as shown in the paragraph on winch installation and then do the following:



4. Completely unscrew the three screws n° 28



5. Remove the socket support n°22



6. Slide out the central shaft n°20



7. Unscrew the 5 hex screws n°17
($\approx 8\text{Nm}/71\text{ in-lb}$)



8. Remove the housing n°16
Important: washer n°13 may remain
inside the housing!



9. Remove the gear n°15



10. Remove the washer n°13



11. Remove the gear n°9 and remove the pawls n°6.



To facilitate the operation press the spring against the pawl with a blade.



12. Slide off gear n°2



13. Remove the pinion n°10. To facilitate the operation press the spring against the pawl with a blade.



14. Remove gear n°5



15. Remove washer n°4

Once the winch is completely disassembled, clean the parts with a degreasing that does not leave residues, proper to clean metal components; rinse plastic parts in fresh water. Once you have done this, dry the parts with cloths that do not leave residue.

Inspect gears, bearings, pins and pawls for any signs of wear or corrosion.

Carefully check the teeth of gears and ring gears to make sure there are no traces of wear.

Check the roller bearings and check there are no breaks in the bearing cages.

Replace worn or damaged components.

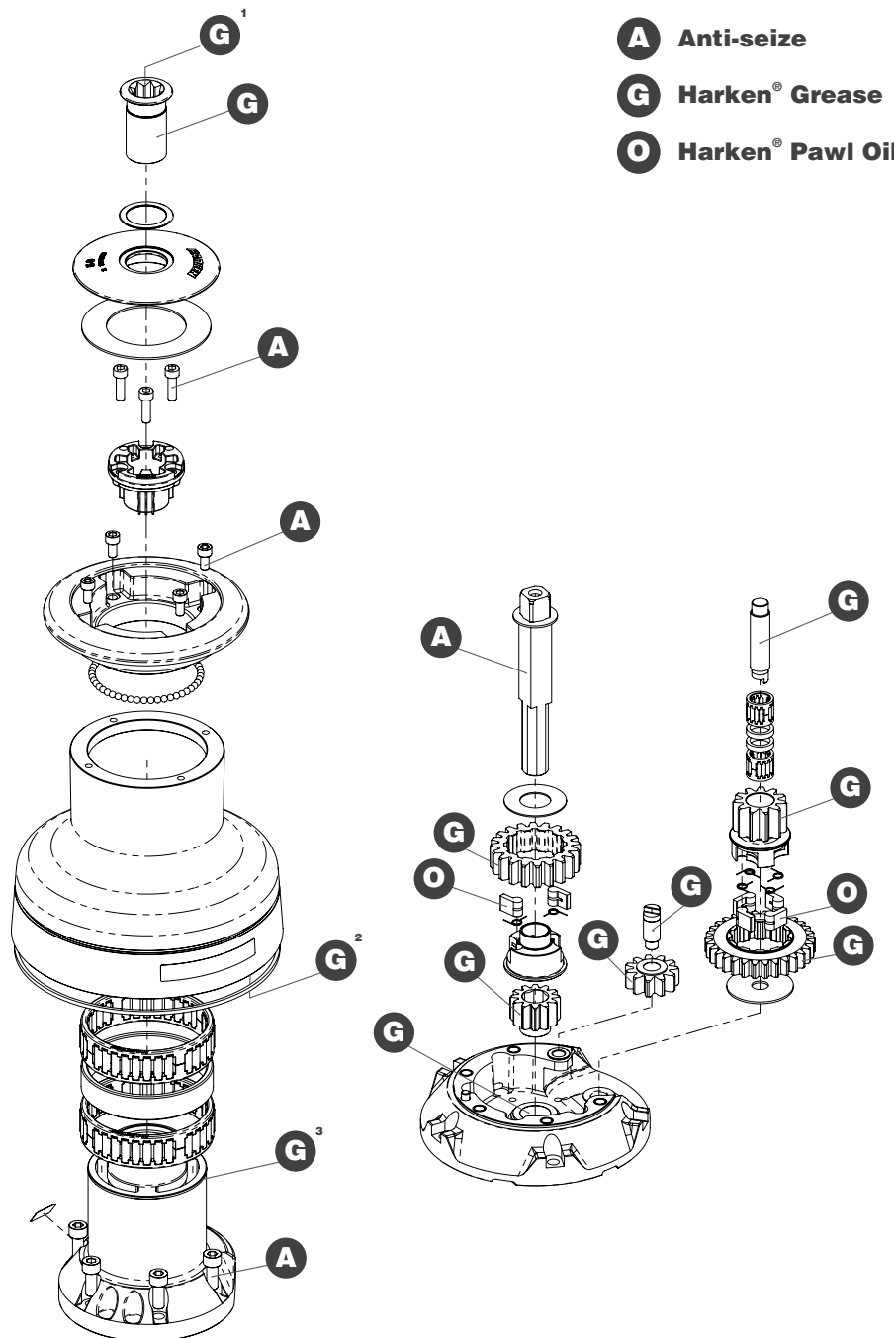
Carry out maintenance on components using the products listed below.

For more information on which products to use where, refer to the exploded diagram below.

Use a brush to lightly lubricate all gears, gear pins, teeth and all moving parts with grease.

Lightly lubricate the pawls and springs with oil. Do not use grease on the pawls!

Exploded view with maintenance products



A Anti-seize

G Harken® Grease

O Harken® Pawl Oil

Apply Harken® grease where indicated above
 Apply Harken® grease: 1. on assy socket screw - 2. on drum gear

NOTICE

On every gear and every component that must be greased, apply Harken® grease with a brush in a proper quantity as shown below:



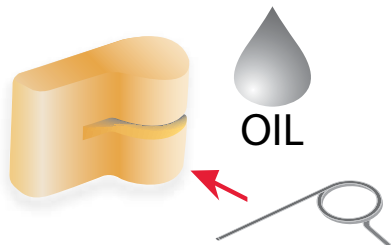
NOTICE

Harken® grease to apply on all teeth: do not use excessive quantity of product to void wastes. If in contact with the pawls, an excess of grease can compromise the safety of the winch.

Assembly

Make sure that the holes and drainage channels in the base of the winch are not obstructed
 Assemble the winch in the reverse order of the sequence in the section on disassembly.

To tighten bolts, use the torque indicated in the disassembly procedure.



To assemble the pawls:

correctly position the spring in its housing as shown at left. Hold the spring closed and slide the pawl into its housing. Once in position, check that the pawls can be easily opened and closed with a finger.

In case of doubt concerning the assembly procedure contact Harken® Tech Service: techservice@harken.it

Harken® limited worldwide warranty

Refer to the Harken® Limited Worldwide Warranty in the Harken® Catalogue and on the website www.harken.com

Ordering spare parts

Spare parts can be requested from Harken® as described in the Harken® Limited Worldwide Warranty, indicating the part number in the Parts List and including the serial number of the winch for which the parts are required.

The serial number of the winch is printed on a plate on the drum support of the winch.



Manufacturer**Harken® Italy S.p.A.**

Via Marco Biagi, 14
22070 Limido Comasco (CO) Italy
Tel: **(+39) 031.3523511**
Fax: **(+39) 031.3520031**
Email: **info@harken.it**
Web: **www.harken.com**

● **Tech Service**
Email: **techservice@harken.it**

● **Customer Service**
Tel: **(+39) 031.3523511**
Email: **info@harken.it**

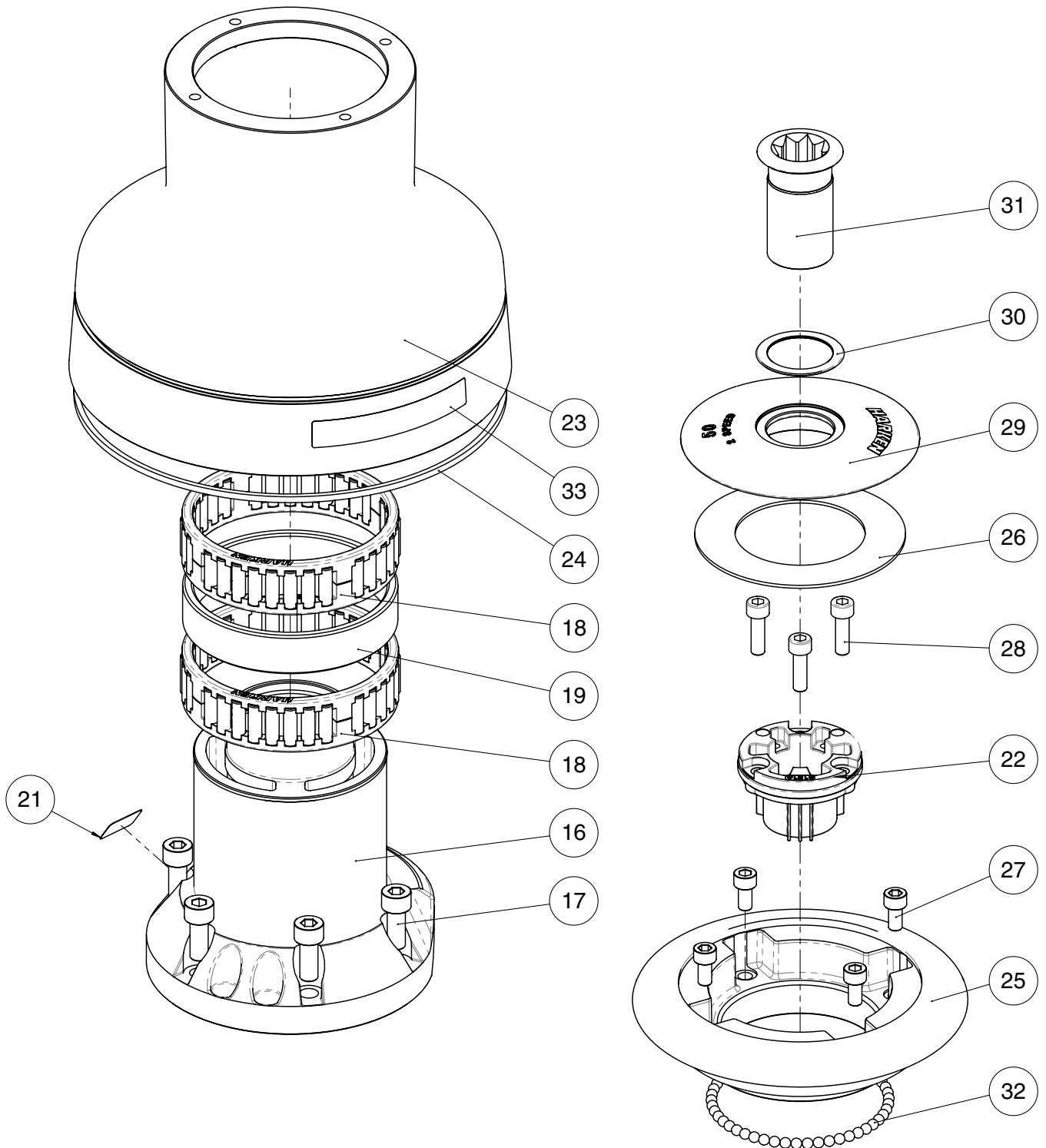
Headquarters**Harken®, Inc.**

1251 East Wisconsin Avenue
Pewaukee, Wisconsin 53072-3755 USA
Tel: **(262) 691.3320**
Fax: **(262) 691.3008**
Email: **harken@harken.com**
Web: **www.harken.com**

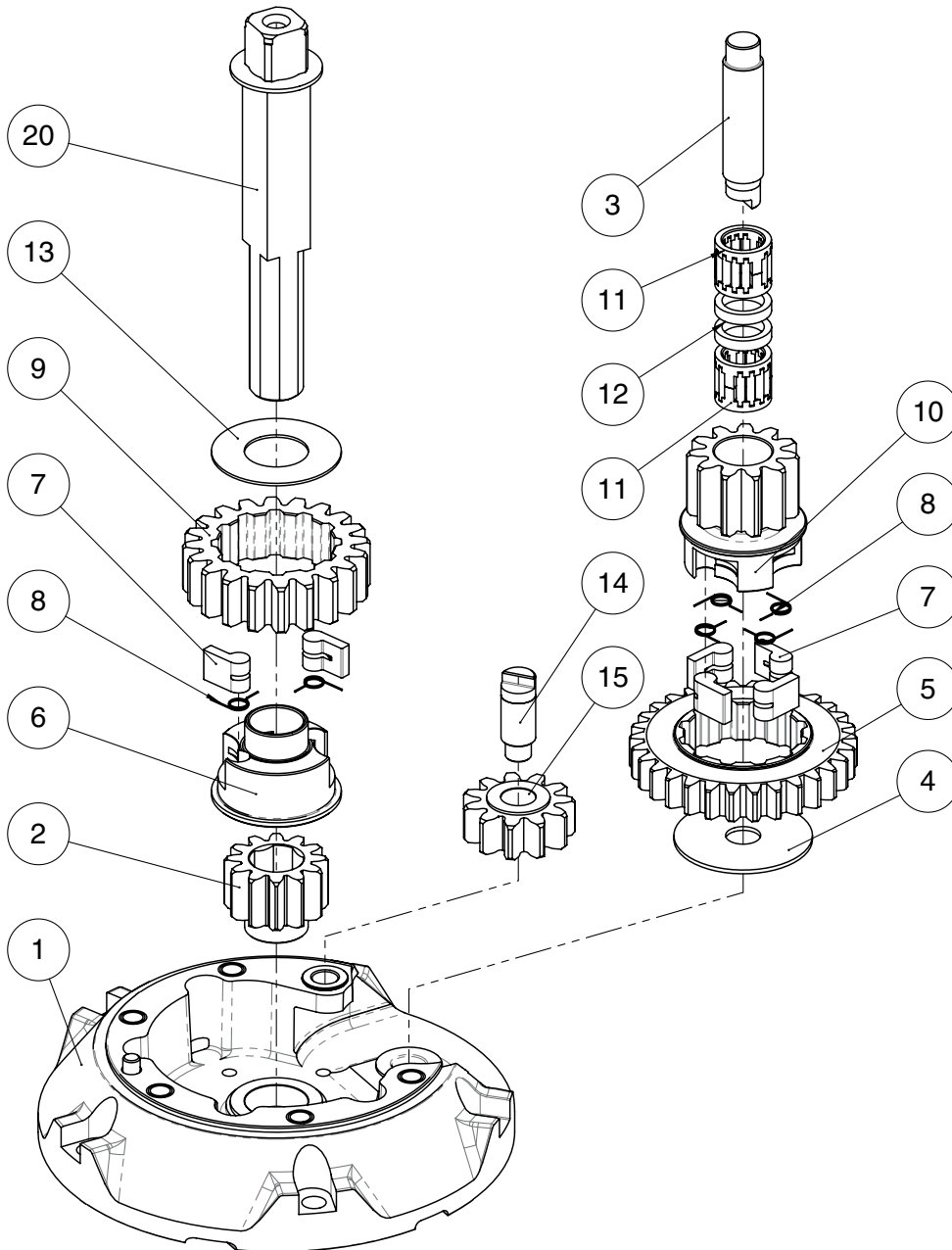
● **Tech Service**
Email: **technicalservice@harken.com**

● **Customer Service**
Tel: **(262) 691-3320**
Email: **customerservice@harken.com**

Radial Winch 50.2 PTBBB, PTCCC



Radial Winch 50.2 PTBBB, PTCCC



Radial Winch 50.2 PTBBB

BBB = all bronze

Pos.	Q.ty	Code	Description	Pos.	Q.ty	Code	Description
1	1	A96633400	Assy Base Winch 50	17	5	M0643203	Screw M8x20 UNI5931
			Base W50	18	2	A74135100	Bearing Ø85xØ97x26
	1	S413350080	Roller Ø6x19	19	1	S413520080	Spacer
	1	S4152300A7	Bushing Ø22xØ25x9.5	20	1	A94152000	Assy Central Shaft W50
	1	S414890080	Bushing Ø9xØ11x7				Washer Ø17.2xØ32x1.5
	1	S413330085	Bushing Ø12xØ14x11		1	S415200002	Central shaft W50 PT
2	1	S413020004	Gear Z12	21			Winch Serial Number Sticker
3	1	S416050004	Pin	22	1	S4151400A0	Socket Support PT
4	1	S278170002	Washer Ø12.5xØ48x1.5	23	1	S688140043	Drum W50 B
5	1	S412800041	Gear Z30	24	1	S281690097	Red line
6	1	S414260004	Pawls Carrier Ø8xN2	25	1	S688020043	Plain Top W50 PT BBB
7	6	S000080003	Pawl Ø8*	26	1	S678730082	Washer Ø57.5xØ93x1.5
8	6	S000380001	Pawl Spring Ø8*	27	4	M0603703	Screw M6x12 UNI 5931
9	1	S415590041	Gear Z20	28	3	M0600903	Screw M6x20 UNI5931
10	1	S415610004	Pinion Z11	29	1	S688100043	Cover W50 PT BBB
11	2	A72821800	Roller Bearing Ø14xØ20x18	30	1	S415220080	PT spacer
12	2	S281340080	Spacer roller bearings	31	1	A94136400	Assy Socket W20-80
13	1	S413120002	Washer Ø22.5xØ45x1				Socket Handle W20/80
14	1	S413070004	Pin Ø9xØ12x32.5		1	S415130085	Washer Ø7.7xØ25x5.8
15	1	A94156000	Assy Gear Z11		1	M0614303	Screw M8x20 UNI 6109
			Gear Z11	32	50	M0619580	Ball 3/16"
	2	S414900080	Bushing Ø12xØ14x8	33			Winch Product Sticker**
16	1	A94134800	Assy Housing Winch 50				
			Housing Winch 50				
	1	S414900080	Bushing Ø12xØ14x8				
	1	S413330085	Bushing Ø12xØ14x11				
	1	S4133200B3	Bushing for support				

*Available with service kit; see website www.harken.com

**Winch product sticker



Radial Winch 50.2 PTCCC

CCC = All-Chrome bronze

Pos.	Q.ty	Code	Description	Pos.	Q.ty	Code	Description
1	1	A966334 00	Assy Base Winch 50 <i>Base W50</i>	17	5	M0643203	Screw M8x20 UNI5931
	1	S413350080	<i>Roller Ø6x19</i>	18	2	A74135100	Bearing Ø85xØ97x26
	1	S4152300A7	<i>Bushing Ø22xØ25x9.5</i>	19	1	S413520080	Spacer
	1	S414890080	<i>Bushing Ø9xØ11x7</i>	20	1	A94152000	Assy Central Shaft W50 <i>Washer Ø17.2xØ32x1.5</i> <i>Central shaft W50 PT</i>
	1	S413330085	<i>Bushing Ø12xØ14x11</i>		1	S415200002	
2	1	S413020004	Gear Z12	21			Winch Serial Number Sticker
3	1	S416050004	Pin	22	1	S4151400A0	Socket housing PT
4	1	S278170002	Washer 12.5x48x1.5	23	1	S681070043	Drum W50 CCC
5	1	S412800041	Gear Z30	24	1	S281690097	Red line
6	1	S414260004	Pawls Carrier Ø8xN2	25	1	S687980043	Plain top W50 CCC
7	6	S000080003	Pawl Ø8*	26	1	S678730082	Washer Ø57.5xØ93x1.5
8	6	S000380001	Pawl Spring Ø8*	27	4	M0603703	Screw M6x12 UNI 5931
9	1	S415590041	Gear Z20	28	3	M0600903	Screw M6x20 UNI5931
10	1	S415610004	Pinion Z11	29	1	S688060043	Cover W50PT CCC
11	2	A72821800	Roller Bearing 14/20/18	30	1	S415220080	PT spacer
12	2	S281340080	Spacer roller bearings	31	1	A94136400	Assy Socket W20-80 <i>Socket Handle W20/80</i> <i>Washer Ø7.7xØ25x5.8</i> <i>Screw M8x20 UNI 6109</i>
13	1	S413120002	Washer Ø22.5xØ45x1		1	S415130085	
14	1	S413070004	Pin Ø9-Ø12x32.5		1	M0614303	
15	1	A94156000	Assy Gear Z11 <i>Gear Z11</i> <i>Bushing Ø12xØ14x8</i>	32	50	M0619580	Ball 3/16"
	2	S414900080		33			Winch Product Sticker**
16	1	A94134800	Assy Housing Winch 50 <i>Housing Winch 50</i> <i>Bushing Ø12xØ14x8</i> <i>Bushing Ø12xØ14x11</i> <i>Bushing for housing</i>				
	1	S414900080					
	1	S413330085					
	1	S4133200B3					

*Available with service kit; see website www.harken.com

**Winch product sticker

