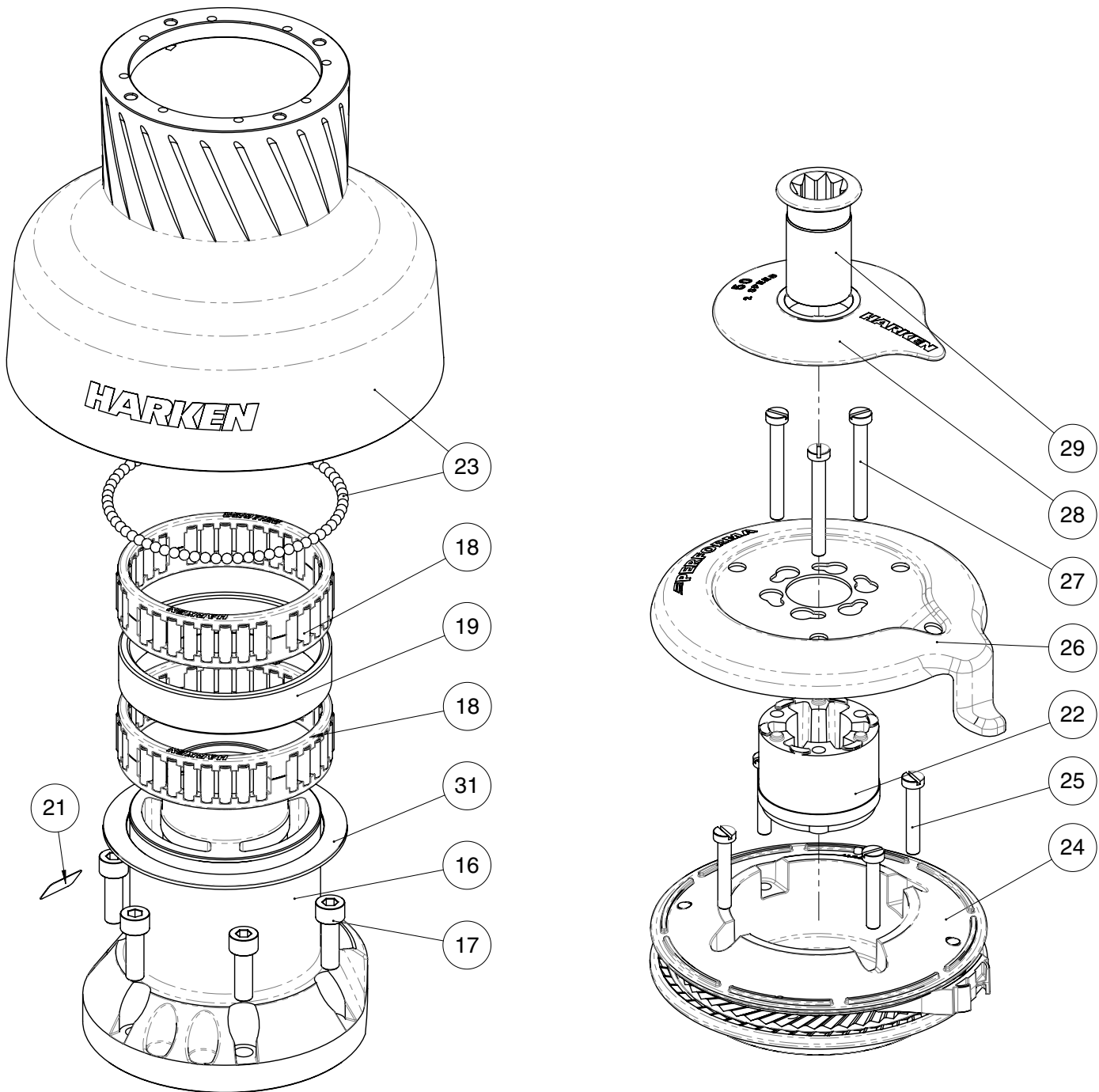


Performa Winch 50.2 STP E/HY



Performa Winch 50.2 STP E/HY

Pos	Q.ty	Code	Description	Pos	Q.ty	Code	Description
1	1	A96634000	PERFORMA Assy Base Winch 50 EL/HY	17	5	M0606303	Screw M8x25 UNI 5931
			<i>PERFORMA Base W50</i>	18	2	A74135100	Bearing Ø85xØ97x26
	1	S413350080	<i>Heli-coil M8x10</i>	19	1	S413520080	Spacer
	1	S4130900A7	<i>Roller Ø6x19</i>	20	1	A96753100	Assy Central Shaft Winch 50
	1	S414890080	<i>Bushing Ø22xØ25x8.5</i>		1	S413880002	<i>Central Shaft Pred. W50</i>
	1	S413330085	<i>Bushing Ø9xØ11x7</i>				<i>Washer Ø17.2xØ32x1.5</i>
	1	S413330085	<i>Bushing Ø12xØ14x11</i>	21			Winch Serial Number Sticker
2	1	S413020004	Gear Z12	22	1	S4129400A0	Stripper arm support
3	1	S416050004	Pin	23	1	A96572400	Performa W50 Drum
4	1	S278170002	Washer Ø12.5xØ48x1.5		68	M0619580	<i>Performa Drum W50</i>
5	1	S412800041	Gear Z30		1	S6573100A3	<i>Ball 3/16"</i>
6	1	S414260004	Pawls Carrier Ø8xN2				<i>Performa Bearing ring W50</i>
7	6	S000090004	Pawl Ø8*				<i>Winch Product Sticker**</i>
8	6	S000380001	Pawl Spring Ø8*	24	1	A96589600	Performa Assy Jaws W50
9	1	S415590041	Gear Z20				<i>Lower Jaw W50</i>
10	1	S415610004	Pinion Z11		1	S414280080	<i>Performa Upper jaw W50</i>
11	2	A72821800	Roller Bearing Ø14xØ20x18		4	S385970001	<i>Peeler W46 - 50</i>
12	2	S281340080	Spacer roller bearings				<i>SPRING</i>
13	1	S413120002	Washer Ø22.5xØ45x1	25	4	M0601803	Screw UNI EN ISO 1207:1996 - M6x35 - A4
14	1	S413070004	Pin Ø9xØ12x32.5	26	1	S657400019	Performa Black Stripper Arm W50
15	1	A94156000	Assy Gear Z11	27	3	M6007103	Screw M6x50 UNI6107
			<i>Gear Z11</i>	28	1	S4134500A5	Cover 2 speed W50
	2	S414900080	<i>Bushing Ø12xØ14x8</i>	29	1	A94149300	Assy Socket W35-80 EL/HY
16	1	A94134800	Assy Housing Winch 50		1	S414940085	<i>Socket Handle W20/80</i>
			<i>Housing Winch 50</i>		1	S414930003	<i>Washer Ø25xØ15x4</i>
			<i>Heli-coil M6x9</i>		1	M0679797	<i>Nut Screw for Disconnect Rod</i>
	1	S414900080	<i>Bushing Ø12xØ14x8</i>				<i>O ring RC 2025 series</i>
	1	S413330085	<i>Bushing Ø12xØ14x11</i>	30	1	S415070002	Disconnect Rod W50
	1	S4133200B3	<i>Bushing for support</i>	31	1	S657320052	Performa Shim W50

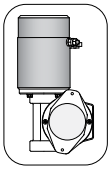
*Available with service kit; see website www.harken.com

**Winch product sticker

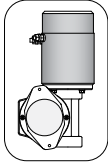


Horizontal electric motor

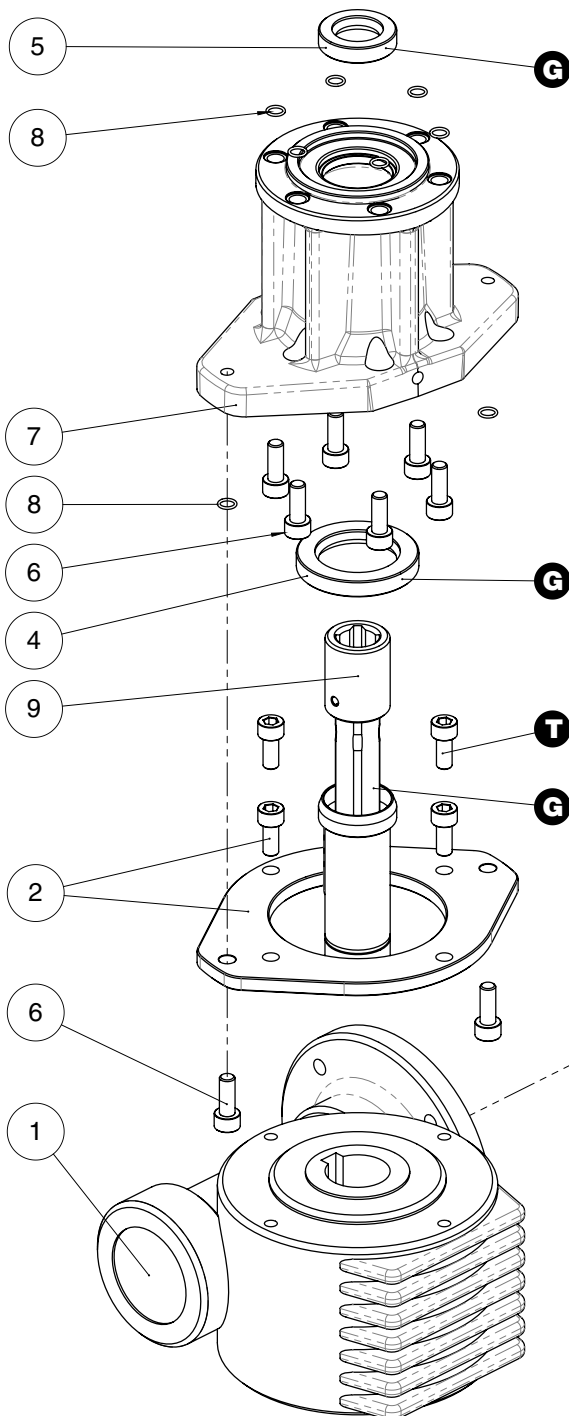
TOP VIEW



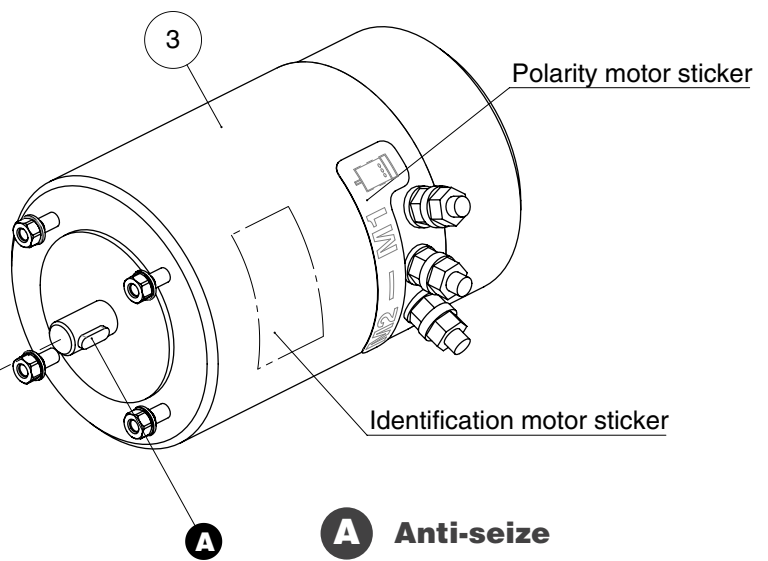
* Motor installed in right-hand configuration.



** Motor installed in left-hand configuration.



Pos	Q.ty	Code	Description
1	1	A93127900	KIT Gear Reduction 1/24
	1	A94194900	KIT LM Gear Reduction 1/24
2	1	A94149200	KIT Assy Electric Motor Flange
	1	A94149200L	KIT Assy Electric Motor Flange Left
	4	M0606803	Electric Motor Flange Screw M6x14 UNI 5931
3	1	A96010700	KIT EL Motor 12V 1,5kW
	1	A96010600	KIT EL Motor 24V 2kW
			Electric Motor Polarity motor sticker Screw stud M6x26 Washer Ø6 Nut M6 UNI5588
	1	M6014206	Key DIN 6885 5x5x15
4	1	M0612097	Sealer Ø30xØ47x7
5	1	M6007297	Lip seal Ø17xØ30x7
6	8	S415360003	Screw M6x16 UNI EN ISO 5931:2003 precote coating
7	1	S496650053	Horizontal Motorgear Flange
8	8	M6015697	O-Ring Seal ORM 0055-10 (Ø5,5 x Ø1)
9	1	A96589000	Performa KIT EL HO Motor Clutch
			Shaft Motorgear HO Performa HO Gear Motor Shaft Hub GearMotor
	1	M0601402	Dowel UNI EN ISO 8752:2000- Ø4x24
	1	M6020097	O-ring 19.1x1.6
	1	S418620001	Disconnect spring
	1	S414050080	Flange GearMotor Shaft HO
1	M6010303	Key 8x5x40 UNI 7511	



- A** Anti-seize
- G** Harken® Grease
- T** Axial Threadlocker