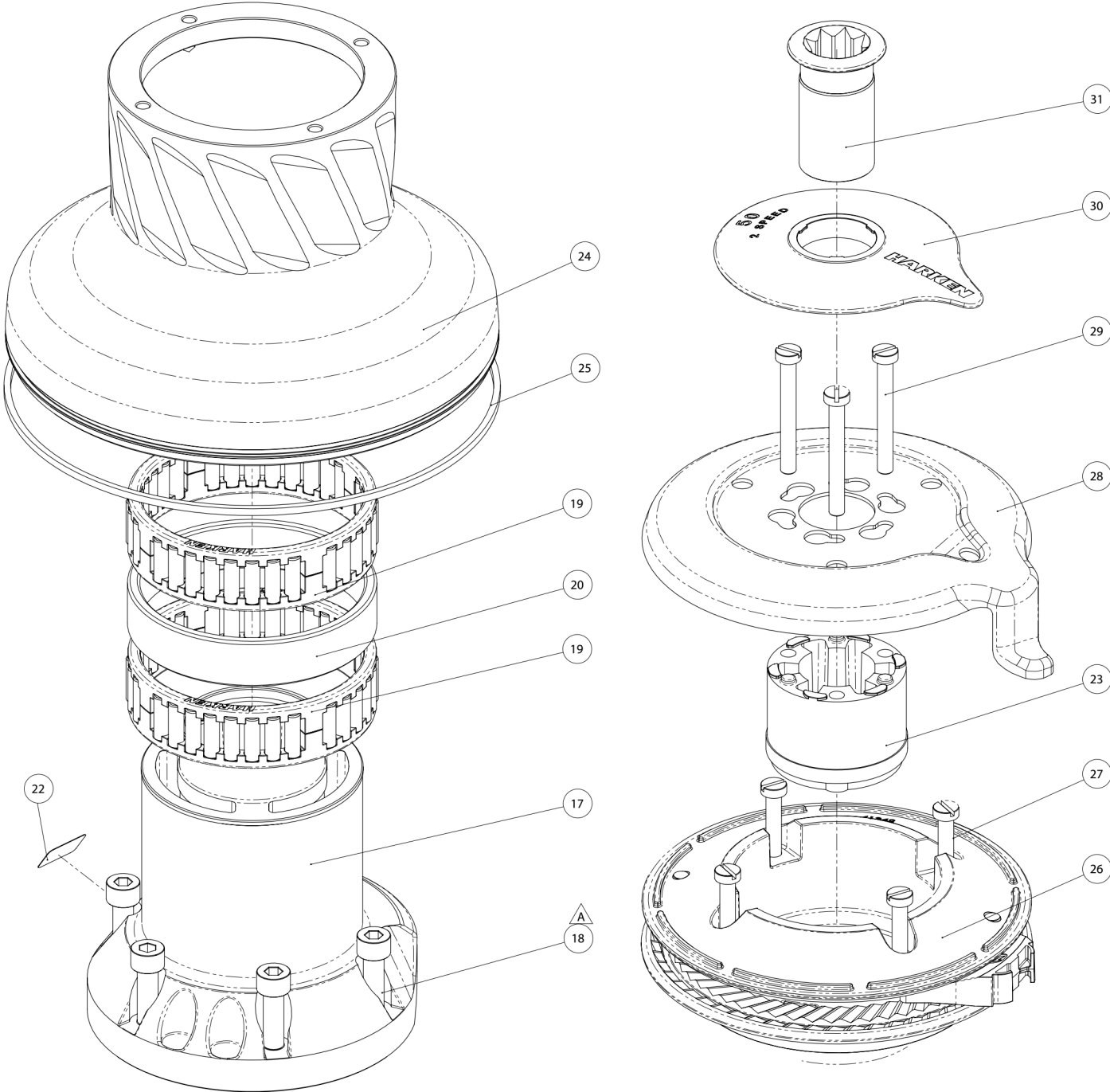
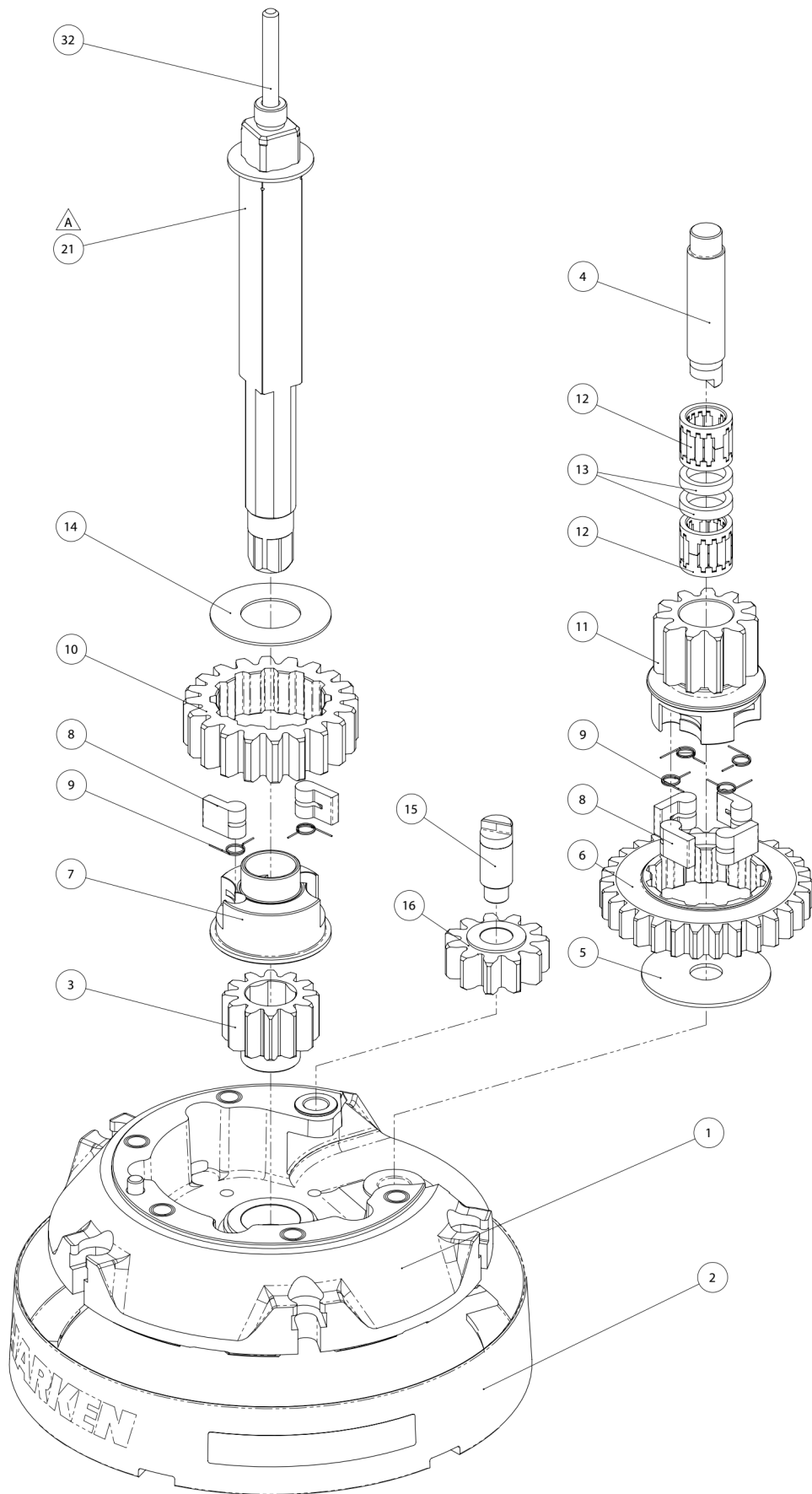


Exploded view





Parts List

Radial Winch 50.2 STA

A= drum in anodised aluminium

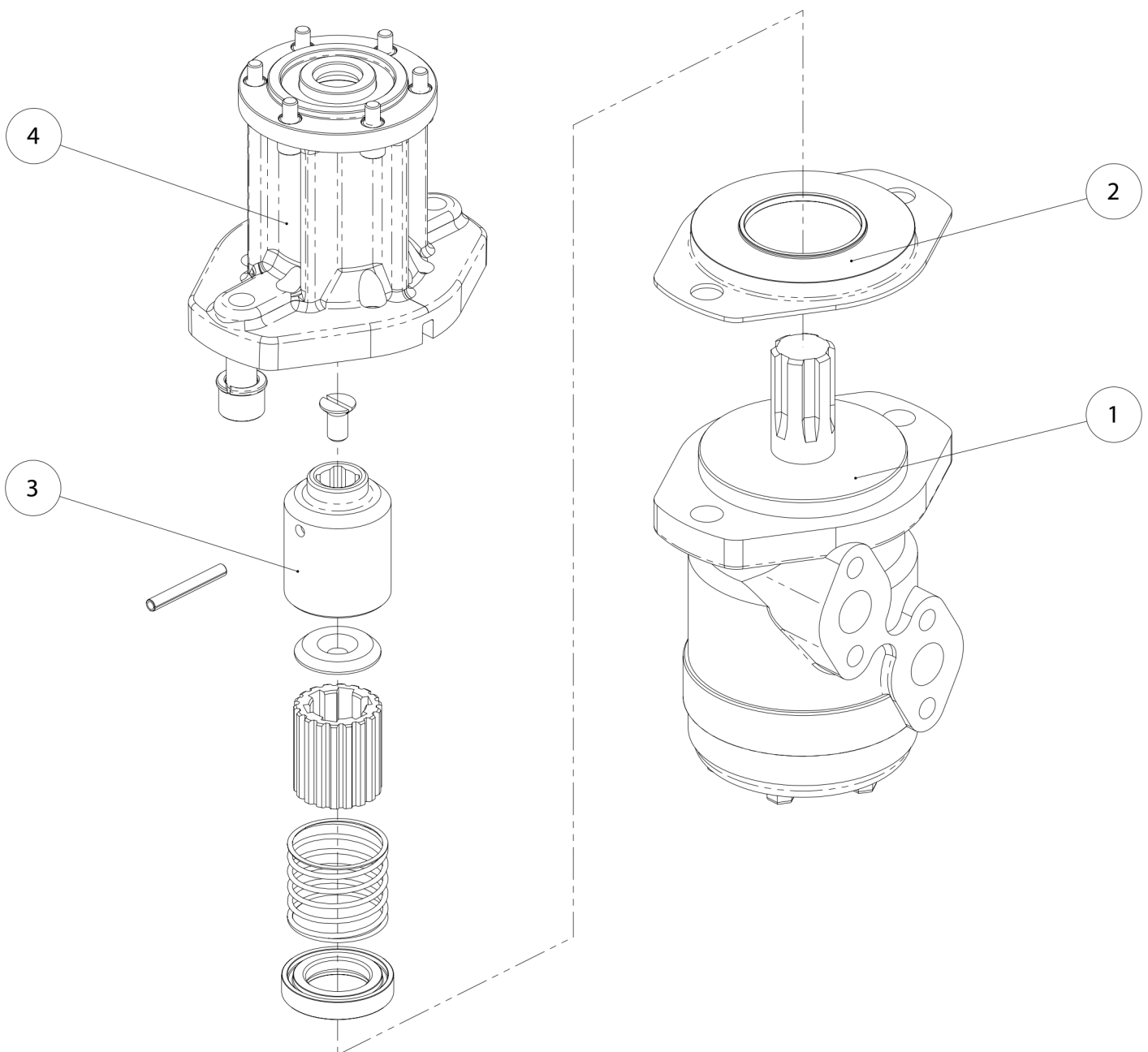
Pos.	Q.ty	Code	Description	Pos.	Q.ty	Code	Description
1	1	A 941898 00	Assy Base W50 EL/HY Base W50 Heli-coil M8x10 Roller Ø6x19 Bushing Ø22xØ25x8.5* Bushing Ø9xØ11x7* Bushing Ø12xØ14x11*	18	5	M0606303	Screw M8x25 UNI 5931
2	1	A 941349 00	Assy Skirt W50 Skirt W50 Winch Product Sticker**	19	2	A 741351 00	Bearing Ø85xØ97x26*
3	1	S 41302 00 04	Gear Z12	20	1	S 41352 00 80	Spacer*
4	1	S 41605 00 04	Pin	21	1	A 967531 00	Assy Central Shaft Winch 50 Central Shaft Pred. W50 Washer Ø17.2xØ32x1.5
5	1	S278170002	Washer 12.5x48x1.5*	22	1	S 41876 00 63	Winch Serial Number Sticker
6	1	S 41280 00 41	Gear Z30	23	1	S 41294 00 A0	Stripper arm support
7	1	S 41426 00 04	Pawls Carrier Ø8xN2	24	1	S413400053	Drum A W50
8	6	S 00008 00 03	Pawl Ø8	25	1	S 28169 00 97	Red line*
9	6	S 00038 00 01	Pawl Spring Ø8	26	1	A 941343 00	Assy Jaws Winch 50 Lower Jaw W50 Upper Jaw W50 Peeler W50 Spring
10	1	S 41559 00 41	Gear Z20	27	4	M0601803	Screw UNI EN ISO 1207:1996 - M6x35 - A4*
11	1	S 41561 00 04	Pinion Z11	28	1	S 41344 00 19	Stripper Arm W50
12	2	A72821800	Roller Bearing 14/20/18	29	3	M6007103	Screw M6x50 UNI6107*
13	2	S281340080	Spacer roller bearings*	30	1	S 41345 00 A5	Cover 2 speed W50
14	1	S 41312 00 02	Washer Ø22.5xØ45x1*	31	1	A 941493 00	Assy Socket W50 EL/HY Socket Handle W50 EL/HY Washer Ø25xØ15x4 Nut Screw for Disconnect Rod O ring RC 2025 series*
15	1	S 41307 00 04	Pin Ø9-Ø12x32.5	32	1	S 41507 00 02	Disconnect Rod W50
16	1	A 941560 00	Assy Gear Z11 Gear Z11 Bushing Ø12xØ14x8*				
17	1	A 941348 00	Assy Housing W50 Housing W50 Bushing Ø12xØ14x8 Bushing Ø12xØ14x11 Heli-coil M6x9 Bushing for support				

*Service kit available; see winch kit section on the website www.harken.com

**Winch product sticker



Hydraulic motor



Pos.	Q.ty	Code	Description
1	1	G45942000Y	Hydraulic motor "OMR50 151-0420 alb.scan. 1"
2	1	S 41500 00 80	Hydraulic Motor Spacer
3	1	A 941932 00	KIT Clutch HY Motor (OMR50)
4	1	A 941491 00	KIT HY Motor Flange (OMR50)