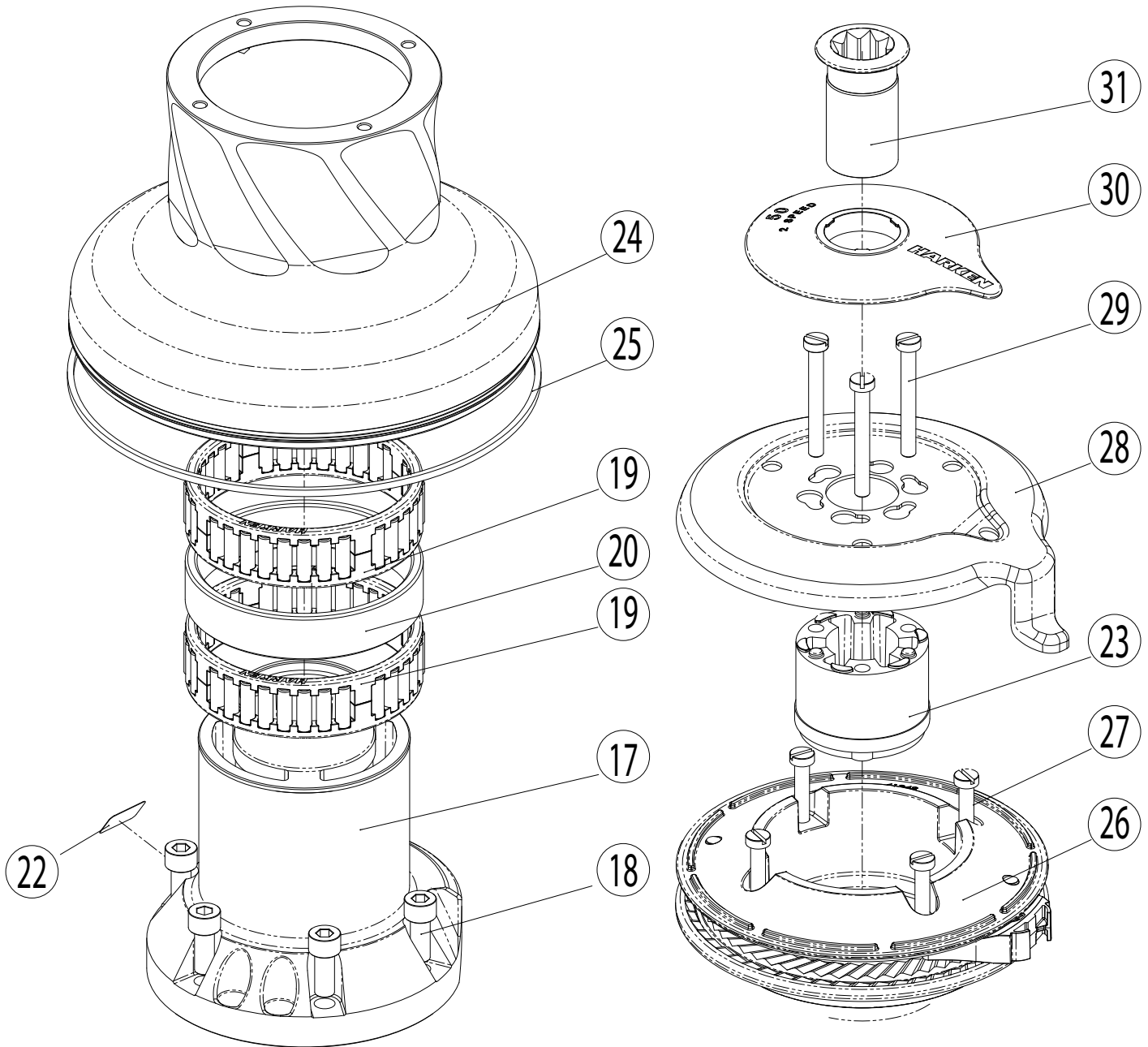
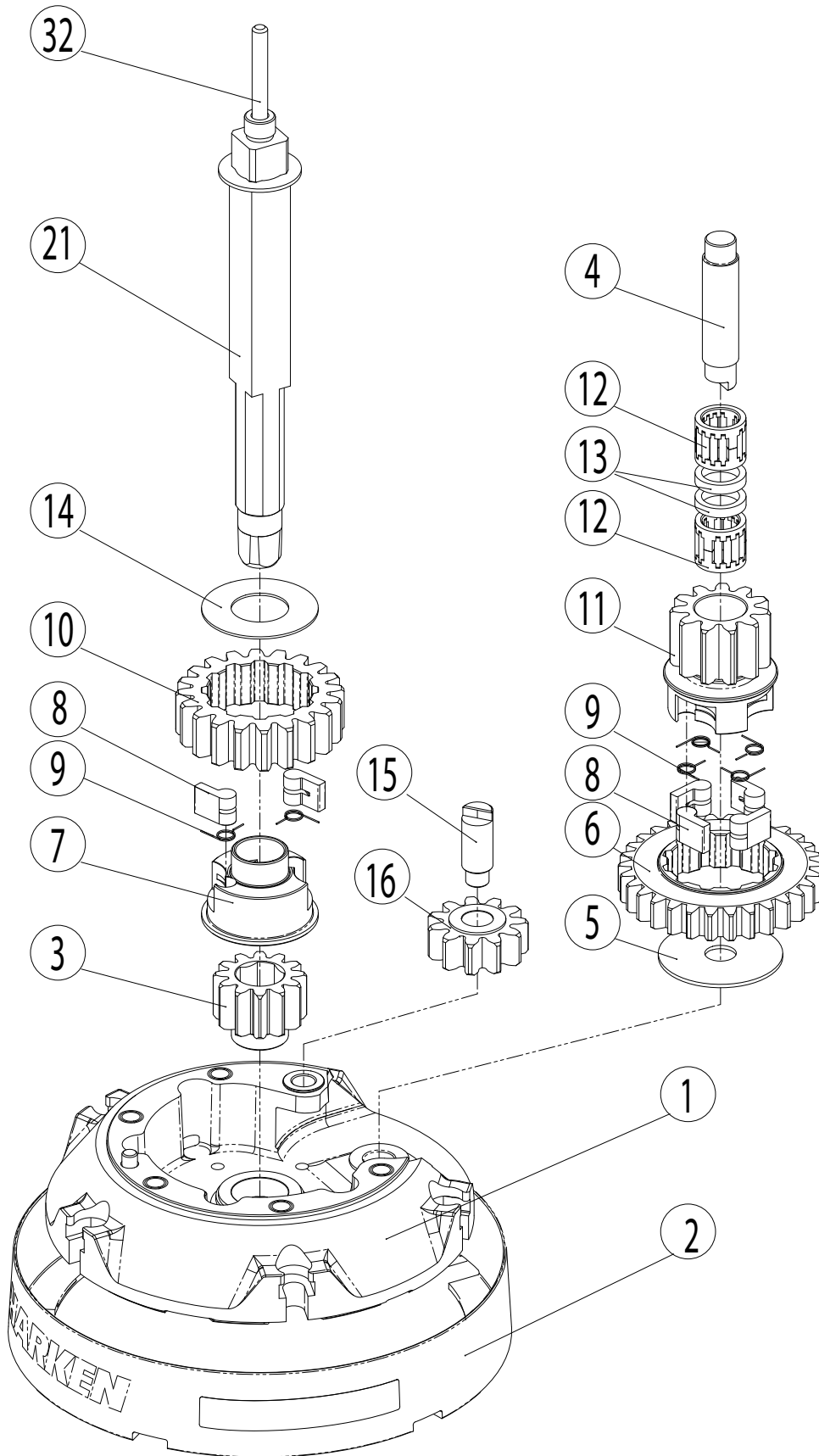


Radial Winch 50.2 STA E/HY



Radial Winch 50.2 STA E/HY



Radial Winch 50.2 STA E/HY

A= drum in anodised aluminium

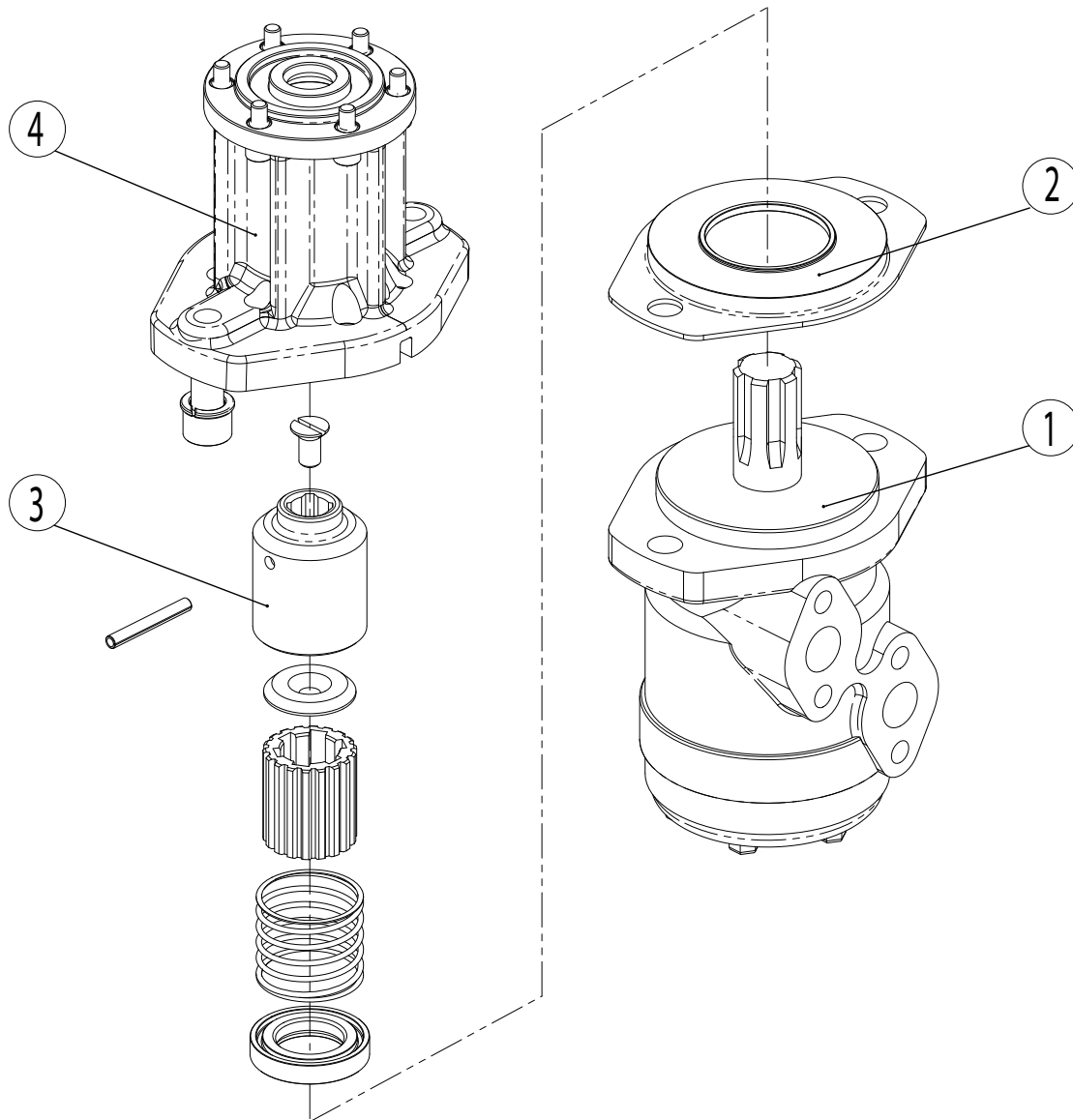
Pos.	Q.ty	Code	Description
1	1	A 941898 00	Assy Base Winch 50 EL/HY <i>Winch Serial Number Sticker</i>
2	1	A 941349 00	Assy Skirt Winch 50**
3	1	S 41302 00 04	Gear Z12
4	1	S 41605 00 04	Pin
5	1	S278170002	Washer 12.5x48x1.5*
6	1	S 41280 00 41	Gear Z30
7	1	S 41426 00 04	Pawls Carrier Ø8xN2
8	6	S 00008 00 03	Pawl Ø8*
9	6	S 00038 00 01	Pawl Spring Ø8*
10	1	S 41559 00 41	Gear Z20
11	1	S 41561 00 04	Pinion Z11
12	2	A72821800	Roller Bearing 14/20/18*
13	2	S281340080	Spacer roller bearings*
14	1	S 41312 00 02	Washer Ø22.5xØ45x1*
15	1	S 41307 00 04	Pin
16	1	A 941560 00	Assy Gear Z11
17	1	A 941348 00	Assy Housing Winch 50
18	5	M0643203	Screw M8x20 UNI5931*
19	2	A 741351 00	Bearing Ø85xØ97x26*
20	1	S 41352 00 80	Spacer*
21	1	A 941508 00	Assy Central Shaft W50
22	1	S418760063	Winch Serial Number Sticker
23	1	S4129400A0	Stripper arm support
24	1	S41340 00 53	Drum A W50
25	1	S 28169 00 97	Red line
26	1	A 941343 00	Assy Jaws Winch 50 <i>Lower Jaw W50</i> <i>Upper Jaw W50</i> <i>Peeler W46-50</i> <i>Spring</i>
27	4	M0601803	Screw UNI EN ISO 1207:1996 - M6x35 - A4*
28	1	S 41344 00 19	Stripper Arm W50
29	3	M6007103	Screw M6x50 UNI6107*
30	1	S 41345 00 A5	Cover 2 speed W50
31	1	A 941493 00	Assy - Socket W35-80 EL/HY <i>Nut screw for disconnect rod</i> <i>Washer Ø25x15x4</i> <i>Socket Handle W20/80</i> <i>O ring 2025 series</i>
32	1	S 41507 00 02	Disconnect Rod W50

*Service kit available; see winch kit section on the website www.harken.com

**Winch product sticker



Hydraulic motor



Pos.	Q.ty	Code	Description
1	1	G45942000Y	Hydraulic motor 'OMR50 151-0420 alb.scan. 1"
2	1	S 41500 00 82	Hydraulic Motor Spacer
3	1	A 941932 00	KIT Clutch HY Motor (OMR50)
4	1	A 941491 00	KIT HY Motor Flange (OMR50)