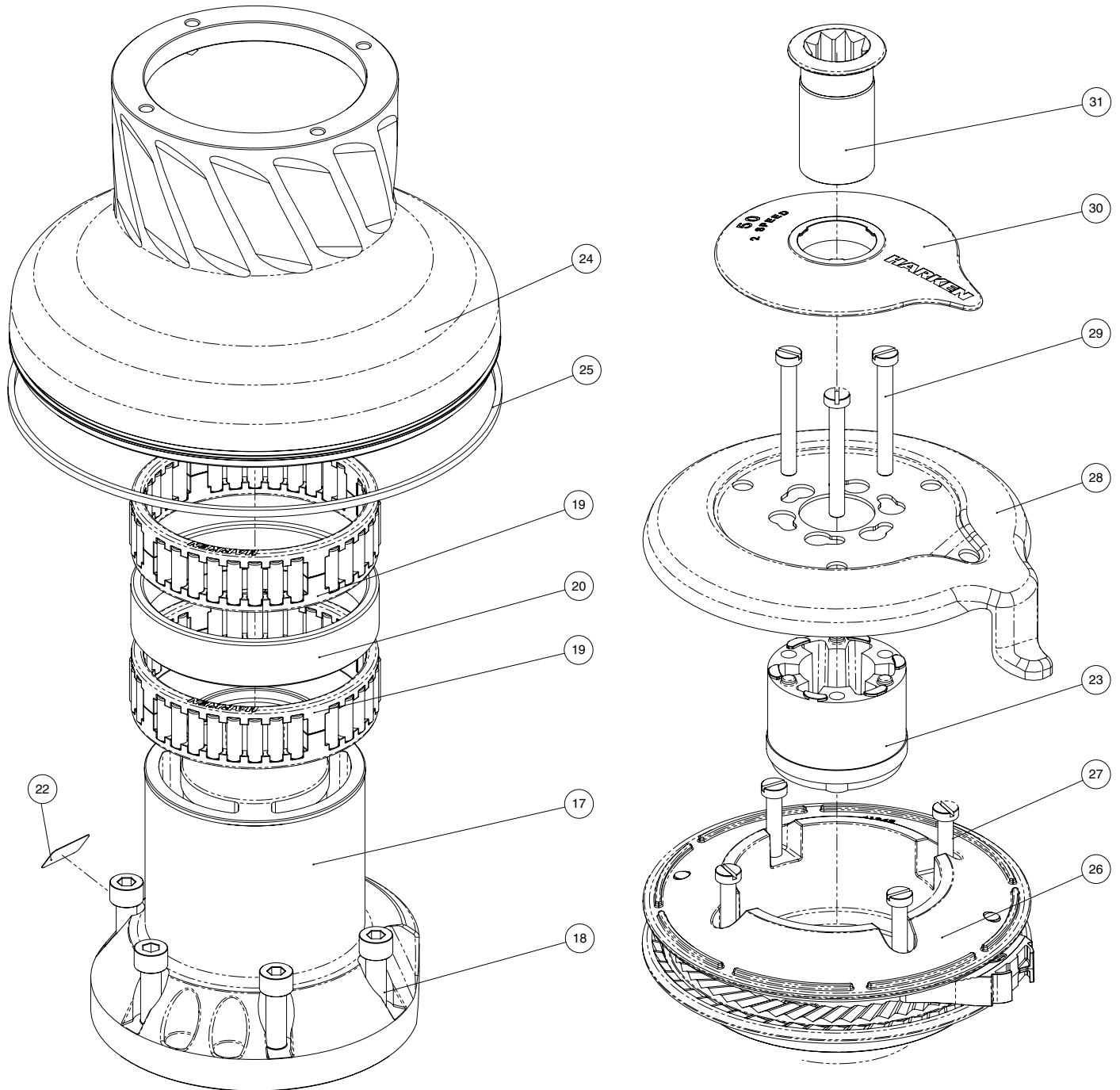


**Exploded view**

*Radial Winch 50.2 STA, STC, STCW*





## Radial Winch 50.2 STC

C = drum in chrome bronze

Pos.	Q.ty	Code	Description	Pos.	Q.ty	Code	Description
1	1	A94189800	Assy Base Winch 50 EL/HY Base W50 Heli-coil M8x10	18	5	M0606303	Screw M8x25 UNI 5931
	1	S413350080	Roller Ø6x19	19	2	A74135100	Bearing Ø85xØ97x26
	1	S4130900A7	Bushing Ø22xØ25x8.5	20	1	S413520080	Spacer
	1	S414890080	Bushing Ø9xØ11x7	21	1	A96753100	Assy Central Shaft Winch 50 Central Shaft Pred. W50
	1	S413330085	Bushing Ø12xØ14x11		1	S413880002	Washer Ø17.2xØ32x1.5
2	1	A94134900	Assy Skirt Winch 50 Skirt W50 Winch Product Sticker**	22			Winch Serial Number Sticker
3	1	S413020004	Gear Z12	23	1	S4129400A0	Stripper arm support
4	1	S416050004	Pin	24	1	S413410043	Drum W50 C
5	1	S278170002	Washer Ø12.5xØ48x1.5	25	1	S281690097	Red line
6	1	S412800041	Gear Z30	26	1	A94134300	Assy Jaws Winch 50 Lower Jaw W50 Upper Jaw W50
7	1	S414260004	Pawls Carrier Ø8xN2		1	S414280080	Peeler W46 - 50
8	6	S000080003	Pawl Ø8*		4	S385970001	SPRING
9	6	S000380001	Pawl Spring Ø8*	27	4	M0601803	Screw UNI EN ISO 1207:1996 - M6x35 - A4
10	1	S415590041	Gear Z20	28	1	S413440019	Stripper Arm W50
11	1	S415610004	Pinion Z11	29	3	M6007103	Screw M6x50 UNI6107
12	2	A72821800	Roller Bearing Ø14xØ20x18	30	1	S4134500A5	Cover 2 speed W50
13	2	S281340080	Spacer roller bearings	31	1	A94149300	Assy Socket W35-80 EL/HY Socket Handle W20/80
14	1	S413120002	Washer Ø22.5xØ45x1		1	S414940085	Washer Ø25xØ15x4
15	1	S413070004	Pin Ø9xØ12x32.5		1	S414930003	Nut Screw for Disconnect Rod
16	1	A94156000	Assy Gear Z11 Gear Z11		1	M0679797	O ring RC 2025 series
	2	S414900080	Bushing Ø12xØ14x8	32	1	S415070002	Disconnect Rod W50
17	1	A94134800	Assy Housing Winch 50 Housing Winch 50 Heli-coil M6x9				
	1	S414900080	Bushing Ø12xØ14x8				
	1	S413330085	Bushing Ø12xØ14x11				
	1	S4133200B3	Bushing for support				

\*Available with service kit; see website [www.harken.com](http://www.harken.com)

\*\*Winch product sticker



Hydraulic motor

Pos.	Q.ty	Code	Description	Pos.	Q.ty	Code	Description
1	1	G045942000Y	Hydraulic motor W46-60	4	1	A94149100	KIT HY Motor Flange W46-70
2	1	S415000080	Hydraulic Motor Spacer				<i>Hydraulic Motorgear Flange</i>
3	1	A94193200	KIT Clutch HY Motor W46-70	6		S415360003	<i>Screw M6x16 UNI EN ISO 5931:2003 precote coating</i>
			<i>Toothed coupling</i>	6		M6015697	<i>O-Ring Seal ORM 0055-10 (Ø5,5 x Ø1)</i>
	1	M0620401	<i>Connecting Coupling Ø31.5</i>	1		M6007297	<i>Lip seal Ø17xØ30x7</i>
	1	S415010080	<i>Spring pin 5x40 DIN1481</i>	2		M0621503	<i>Washer D.13 U1751 DIN127</i>
	1	S326490001	<i>Bushing</i>	2		M0667103	<i>Screw M12x35 UNI5931</i>
	1	S329360082	<i>Spring</i>				
	1	M0635303	<i>Washer</i>				
	1		<i>Screw M8x16 UNI6109</i>				

