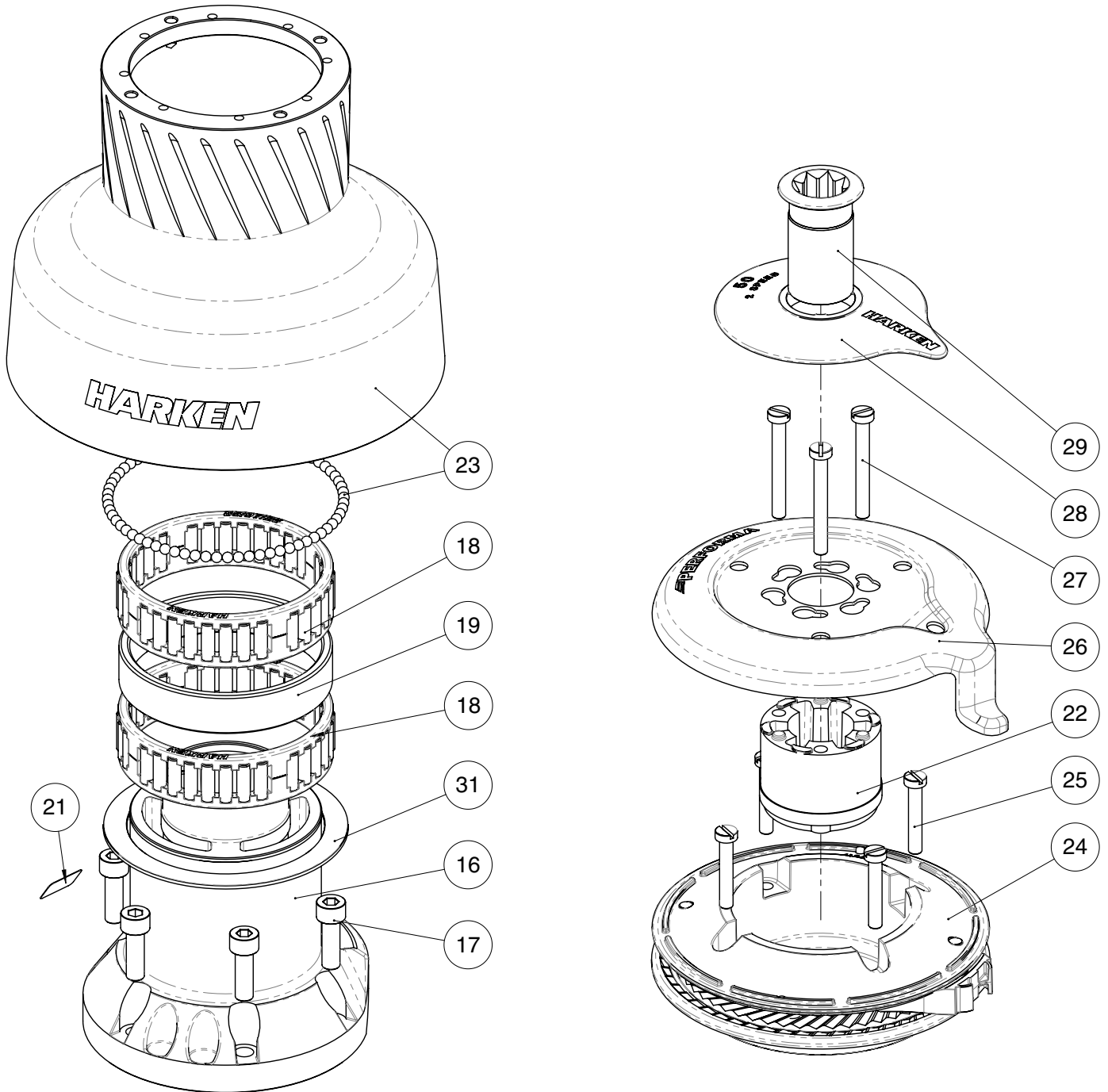
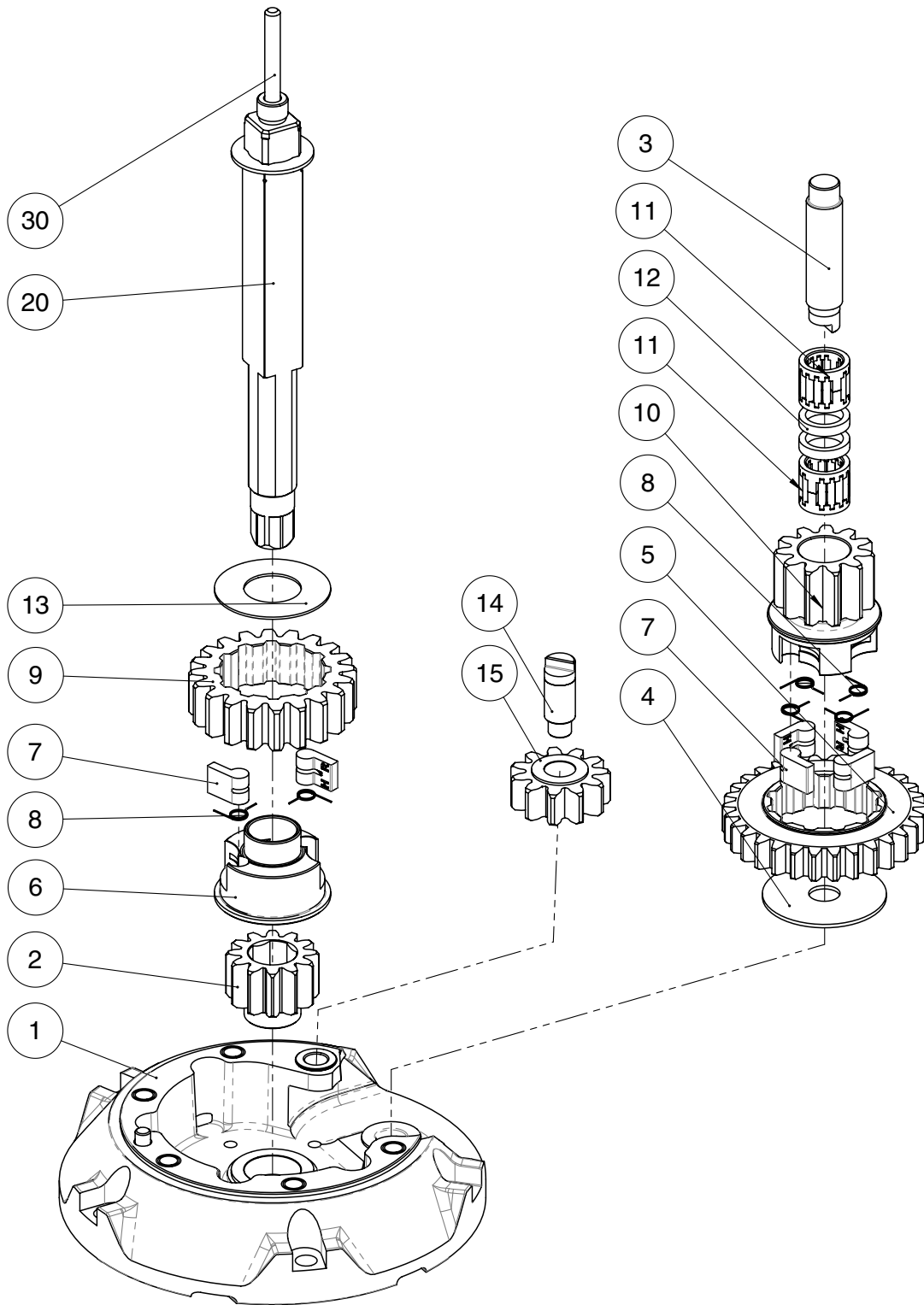


Performa Winch 50.2 STP E/HY



Performa Winch 50.2 STP E/HY



Performa Winch 50.2 STP E/HY

Pos	Q.ty	Code	Description	Pos	Q.ty	Code	Description
1	1	A96634000	PERFORMA Assy Base Winch 50 EL/HY <i>PERFORMA Base W50 Heli-coil M8x10 Roller Ø6x19 Bushing Ø22xØ25x8.5 Bushing Ø9xØ11x7 Bushing Ø12xØ14x11</i>	17	5	M0606303	Screw M8x25 UNI 5931
	1	S413350080		18	2	A74135100	Bearing Ø85xØ97x26
	1	S4130900A7		19	1	S413520080	Spacer
	1	S414890080		20	1	A96753100	Assy Central Shaft Winch 50 <i>Central Shaft Pred. W50 Washer Ø17.2xØ32x1.5</i>
	1	S413330085			1	S413880002	
2	1	S413020004	Gear Z12	21			Winch Serial Number Sticker
3	1	S416050004	Pin	22	1	S4129400A0	Stripper arm support
4	1	S278170002	Washer Ø12.5xØ48x1.5	23	1	A96572400	Performa W50 Drum <i>Performa Drum W50 Ball 3/16"</i>
5	1	S412800041	Gear Z30		68	M0619580	
6	1	S414260004	Pawls Carrier Ø8xN2		1	S6573100A3	<i>Performa Bearing ring W50 Winch Product Sticker**</i>
7	6	S000090004	Pawl Ø8*	24	1	A96589600	Performa Assy Jaws W50 <i>Lower Jaw W50 Performa Upper jaw W50 Peeler W46 - 50 SPRING</i>
8	6	S000380001	Pawl Spring Ø8*		1	S414280080	
9	1	S415590041	Gear Z20		4	S385970001	
10	1	S415610004	Pinion Z11	25	4	M0601803	Screw UNI EN ISO 1207:1996 - M6x35 - A4
11	2	A72821800	Roller Bearing Ø14xØ20x18	26	1	S657400019	Performa Black Stripper Arm W50
12	2	S281340080	Spacer roller bearings	27	3	M6007103	Screw M6x50 UNI6107
13	1	S413120002	Washer Ø22.5xØ45x1	28	1	S4134500A5	Cover 2 speed W50
14	1	S413070004	Pin Ø9xØ12x32.5	29	1	A94149300	Assy Socket W35-80 EL/HY <i>Socket Handle W20/80 Washer Ø25xØ15x4 Nut Screw for Disconnect Rod O ring RC 2025 series</i>
15	1	A94156000	Assy Gear Z11 <i>Gear Z11 Bushing Ø12xØ14x8</i>		1	S414940085	
	2	S414900080			1	S414930003	
16	1	A94134800	Assy Housing Winch 50 <i>Housing Winch 50 Heli-coil M6x9 Bushing Ø12xØ14x8 Bushing Ø12xØ14x11 Bushing for support</i>		1	M0679797	
	1	S414900080		30	1	S415070002	Disconnect Rod W50
	1	S413330085		31	1	S657320052	Performa Shim W50
	1	S4133200B3					

*Available with service kit; see website www.harken.com

**Winch product sticker



Hydraulic motor

Pos	Q.ty	Code	Description	Pos	Q.ty	Code	Description
1	1	G045942000Y	Hydraulic motor W46-60	4	1	A94149100	KIT HY Motor Flange W46-70
2	1	S415000080	Hydraulic Motor Spacer	6	1	S415360003	Hydraulic Motorgear Flange Screw M6x16 UNI EN ISO 5931:2003 precote coating
3	1	A94193200	KIT Clutch HY Motor W46-70	6	1	M6015697	O-Ring Seal ORM 0055-10 (Ø5,5 x Ø1)
			Toothed coupling	1	1	M6007297	Lip seal Ø17xØ30x7
			Connecting Coupling Ø31.5	2	1	M0621503	Washer D.13 U1751 DIN127
	1	M0620401	Spring pin 5x40 DIN1481	2	1	M0667103	Screw M12x35 UNI5931
	1	S415010080	Bushing				
	1	S326490001	Spring				
	1	S329360082	Washer				
	1	M0635303	Screw M8x16 UNI6109				

