

## Performa Winch 50.2 STP E/HY

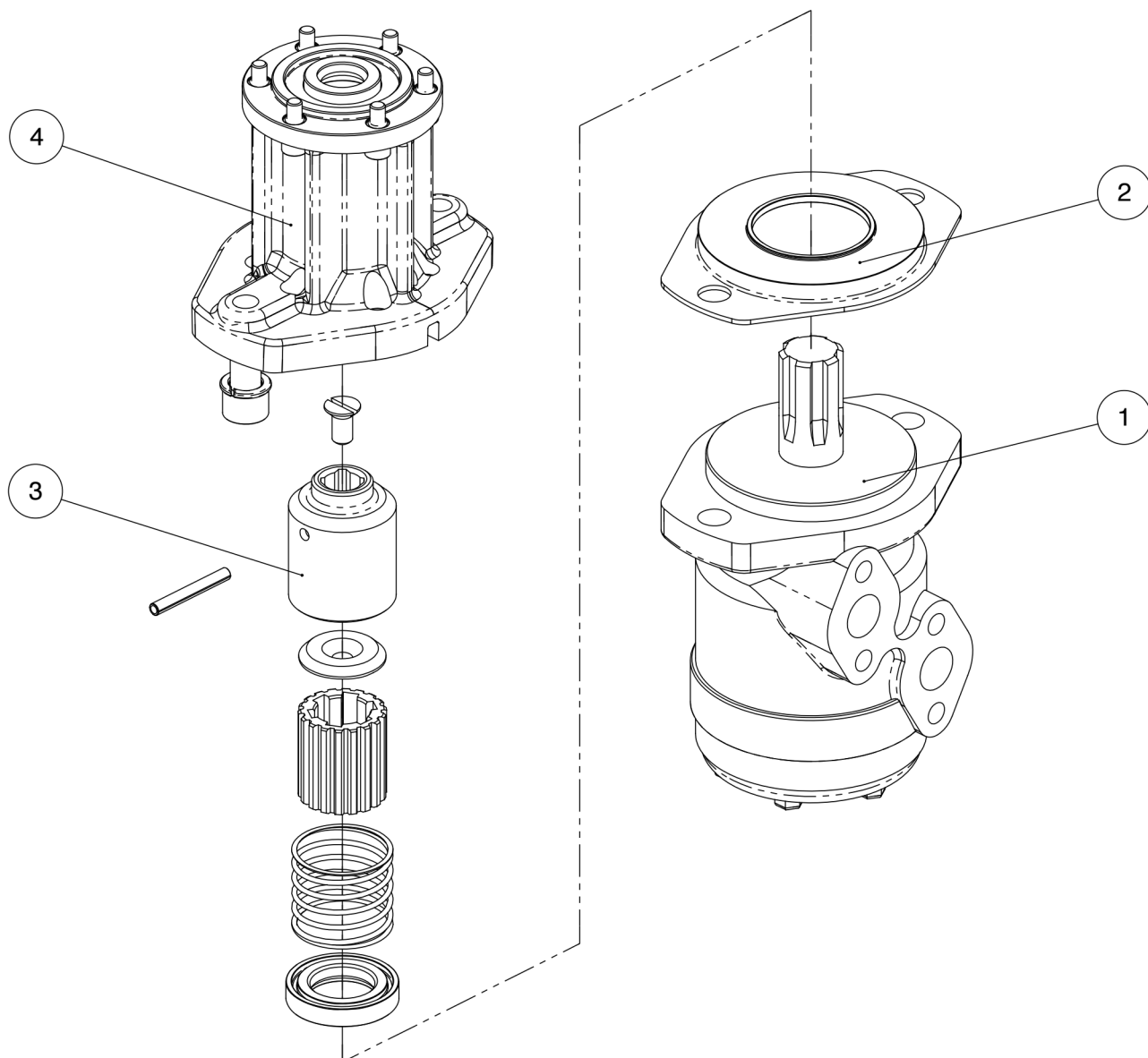
Pos	Q.ty	Code	Description	Pos	Q.ty	Code	Description
1	1	A 966340 00	PERFORMA Assy Base Winch 50 EL/HY <i>PERFORMA Base W50 Heli-coil M8x10 Roller Ø6x19 Bushing Ø22xØ25x8.5 Bushing Ø9xØ11x7 Bushing Ø12xØ14x11</i>	17	5	M0606303	Screw M8x25 UNI 5931*
2	1	S 41302 00 04	Gear Z12	18	2	A 741351 00	Bearing Ø85xØ97x26*
3	1	S 41605 00 04	Pin	19	1	S 41352 00 80	Spacer*
4	1	S278170002	Washer 12.5x48x1.5*	20	1	A 967531 00	Assy Central Shaft Winch 50 <i>Central Shaft Pred. W50 Washer Ø17.2xØ32x1.5</i>
5	1	S 41280 00 41	Gear Z30	21	1	S 41876 00 63	Winch Serial Number Sticker
6	1	S 41426 00 04	Pawls Carrier Ø8xN2	22	1	S 41294 00 A0	Stripper arm support
7	6	S000090004	Pawl Ø 8*	23	1	A 965724 00	Performa W50 Drum <i>Performa Drum W50 Ball 3/16" Performa Bearing ring W50 Winch Product Sticker**</i>
8	6	S 00038 00 01	Pawl Spring dia 8*	24	1	A 965896 00	Performa Assy Jaws W50 <i>Lower Jaw W50 Performa Upper jaw W50 Peeler W46 - 50 SPRING</i>
9	1	S 41559 00 41	Gear Z20	25	4	M0601803	Vite UNI EN ISO 1207:1996 - M6x35 - A4*
10	1	S 41561 00 04	Pinion Z11	26	1	S 65740 00 19	Performa Black Stripepr Arm W50
11	2	A72821800	Roller Bearing 14/20/18*	27	3	M6007103	Screw M6x50 UNI6107*
12	2	S281340080	Spacer roller bearings*	28	1	S 41345 00 A5	Cover 2 speed W50
13	1	S 41312 00 02	Washer Ø22.5xØ45x1*	29	1	A 941493 00	Assieme Socket W35-80 EL/HY <i>Socket Handle W20/80 Washer ø25xø15x4 Nut Screw for Disconnect Rod O ring RC 2025 series</i>
14	1	S 41307 00 04	Pin ø9-ø12x32.5	30	1	S 41507 00 02	Disconnect Rod W50
15	1	A 941560 00	Assy Gear Z11 <i>Gear Z11 Bushing Ø12xØ14x8</i>	31	1	S 65732 00 52	Performa Shim W50
16	1	A 941348 00	Assy Housing Winch 50 <i>Housing Winch 50 Bushing Ø12xØ14x8 Bushing Ø12xØ14x11 Heli-coil M6x9 Bushing for support</i>				

\*Service kit available; see winch kit section on the website [www.harken.com](http://www.harken.com)

\*\*Winch product sticker



Hydraulic motor



Pos	Q.ty	Code	Description
1	1	G45942000Y	Hydraulic motor "OMR50 151-0420 alb.scan. 1"
2	1	S 41500 00 80	Hydraulic Motor Spacer
3	1	A 941932 00	KIT Clutch HY Motor (OMR50)
4	1	A 941491 00	KIT HY Motor Flange (OMR50)