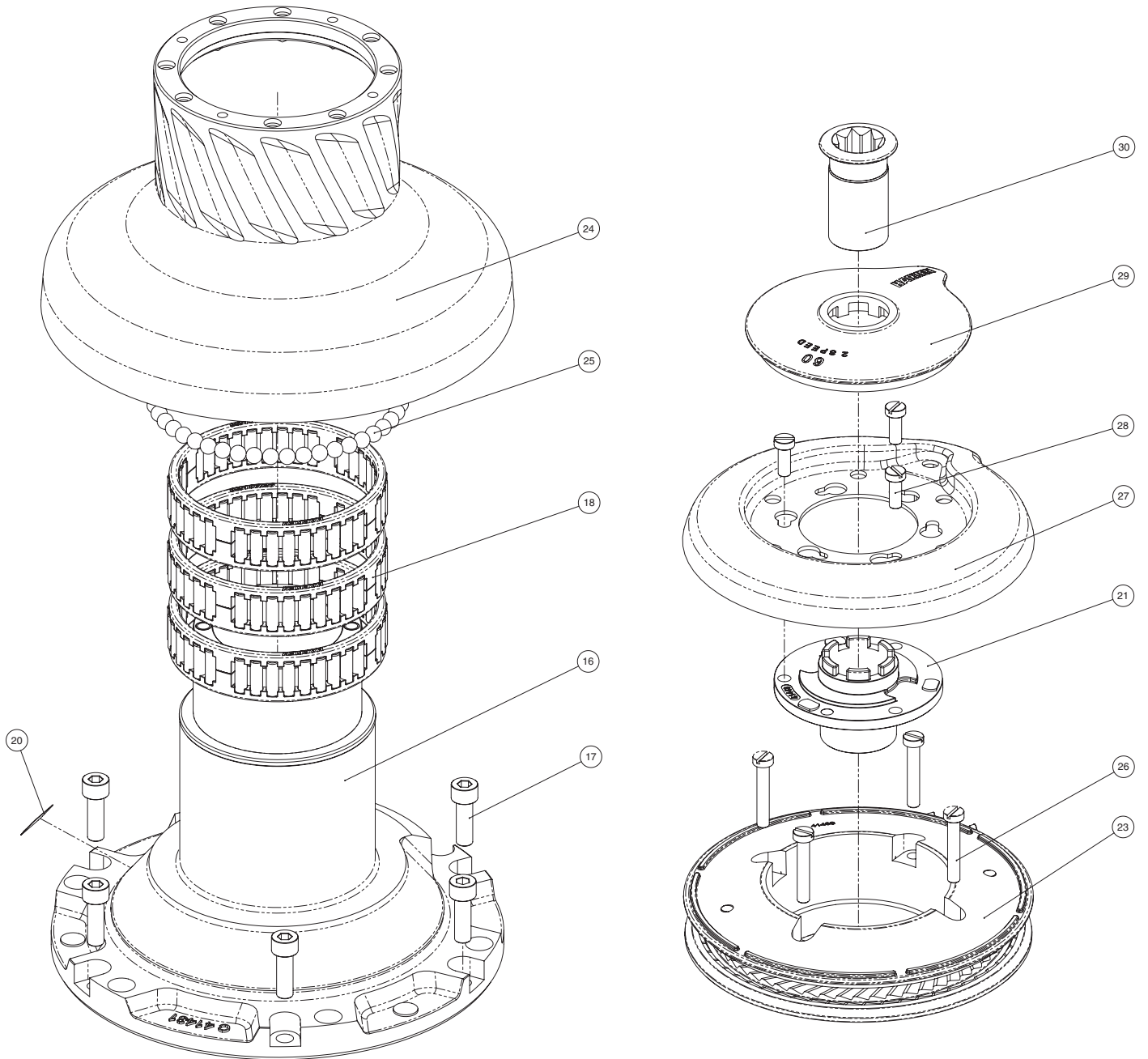
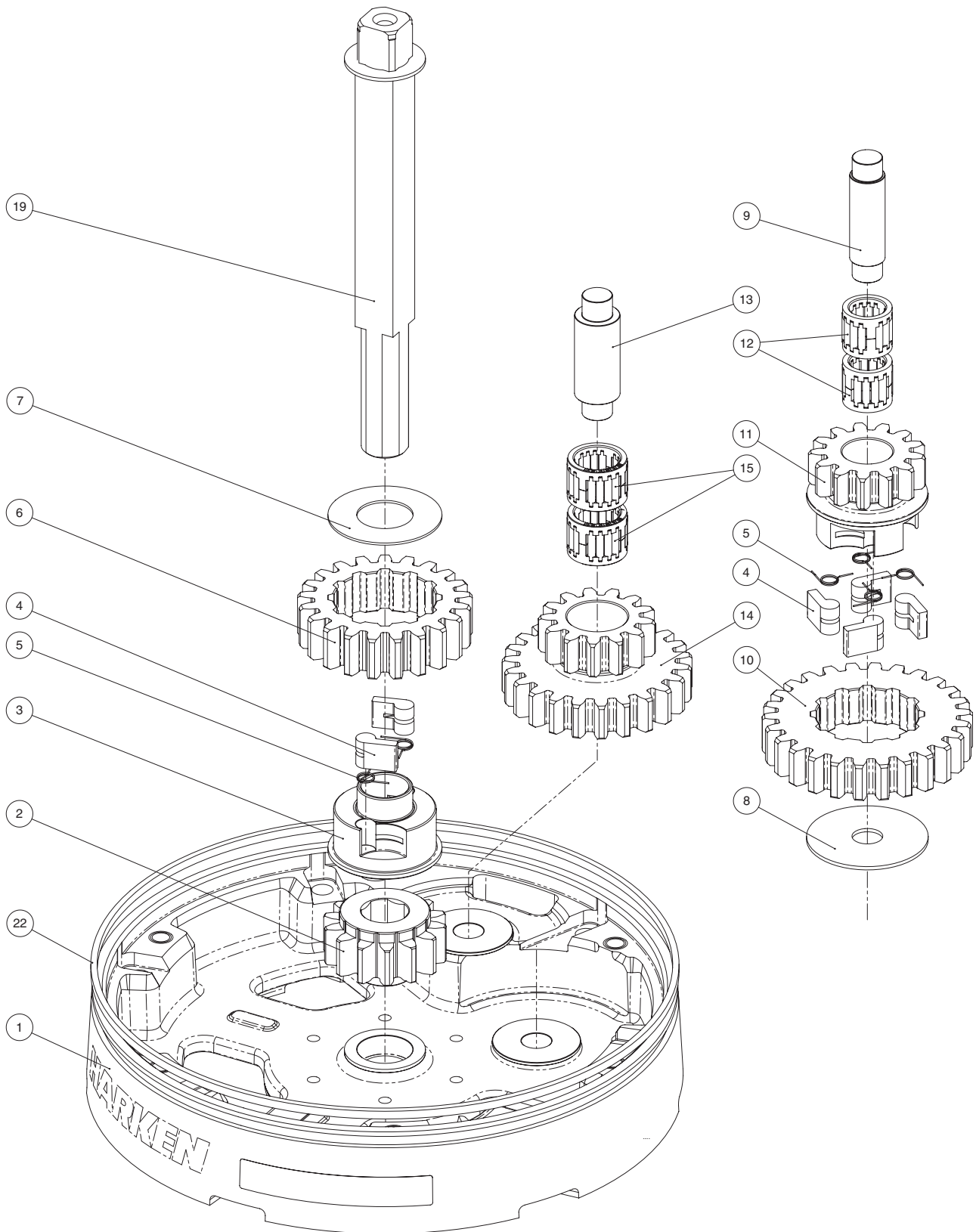


**Exploded view**

Radial Winch 60.2 STA, STC, STCW



Radial Winch 60.2 STA, STC, STCW

**Parts List**

Radial Winch 60.2 STA

A= drum in anodised aluminium

Pos.	Q.ty	Code	Description	Pos.	Q.ty	Code	Description
1	1	A94143000	Assy Base Winch 60 Base W60 Heli-coil M8x10	18	3	A74145000	Roller Bearing Ø95xØ107x26
	1	S476030004	Centering bushing Ø12	19	1	A94143800	Assy Shaft Winch 60 Central shaft W60 ST
	1	S4152300A7	Bushing Ø22xØ25x9.5	1	1	S413880002	Washer Ø17.2xØ32x1.5
	2	S415580085	Bushing Ø12xØ35x9 Winch Product Sticker**	20			Winch Serial Number Sticker
				21	1	S4144300A0	Stripper Arm support W60/70
2	1	S414400004	Gear Z14 W60	22	1	S281700097	Red line
3	1	S413030004	Pawls Carrier Ø8xN2	23	1	A94143500	Assy Jaws Winch 60 Lower Jaw W60 Upper Jaw W60 Peeler W60 - 70 SPRING
4	6	S000080003	Pawl Ø8*	1	1	S414850080	
5	6	S000380001	Pawl Spring Ø8*	4	4	S385970001	
6	1	S414390041	Ratchet Gear Z21xN2	24	1	A74143300	Drum Assembly W60
7	1	S413120002	Washer Ø22.5xØ45x1	25	47	M0610280	Ball 5/16"
8	1	S278170002	Washer Ø12.5xØ48x1.5	26	4	M0601803	Screw UNI EN ISO 1207:1996 - M6x35 - A4
9	1	S281010004	Pin for gear	27	1	S414460019	Stripper arm Winch 60
10	1	S414420041	Ratchet Gear Z26xN4	28	3	M0601903	Screw M6x16 UNI1207
11	1	S414410004	Pawls Carrier Gear Z13 N4	29	1	S4162200B1	Cover 2 Speed W60
12	2	A72821800	Roller Bearing 14/20/18	30	1	A94136400	Assy Socket W20-80 Socket Handle W20/80 Washer Ø7.7xØ25x5.8 Screw M8x20 UNI 6109
13	1	S416030004	Gear Pin Ø12xØ18x52,5	1	1	S415130085	
14	1	S414480004	Idler and Pinion Z23/Z13 W60	1	1	M0614303	
15	2	A74162300	Roll bearing 24x18x18				
16	1	A94143100	Assy Housing Winch 60.2 Housing W60				
	2	S415580085	Bushing Ø12xØ35x9 Heli-coil M6x9 Support Bushing W60				
	1	S4130900A7	Bushing Ø22xØ25x8.5				
17	6	M0606303	Screw M8x25 UNI 5931				

\*Available with service kit; see website [www.harken.com](http://www.harken.com)

\*\*Winch product sticker

