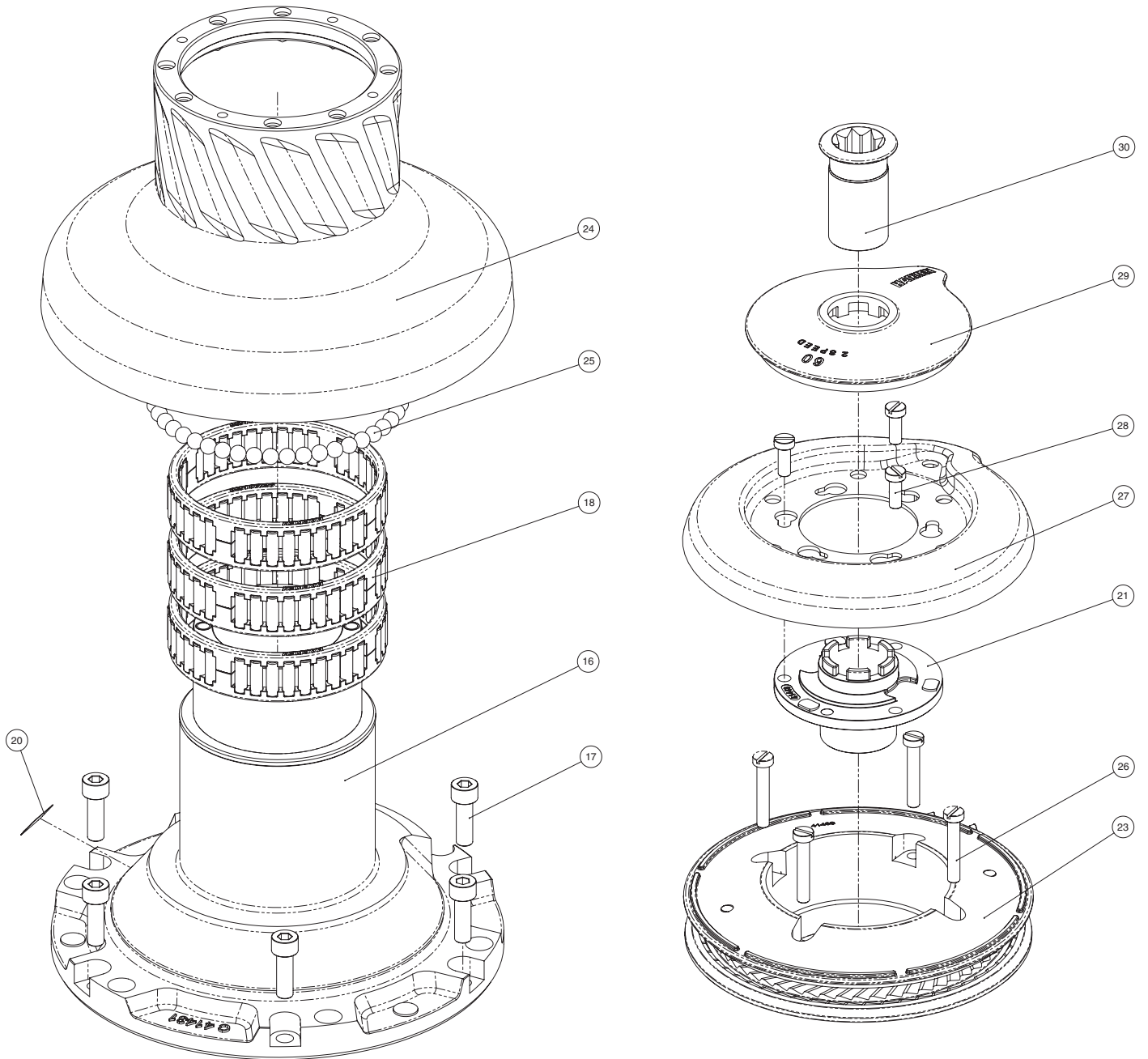
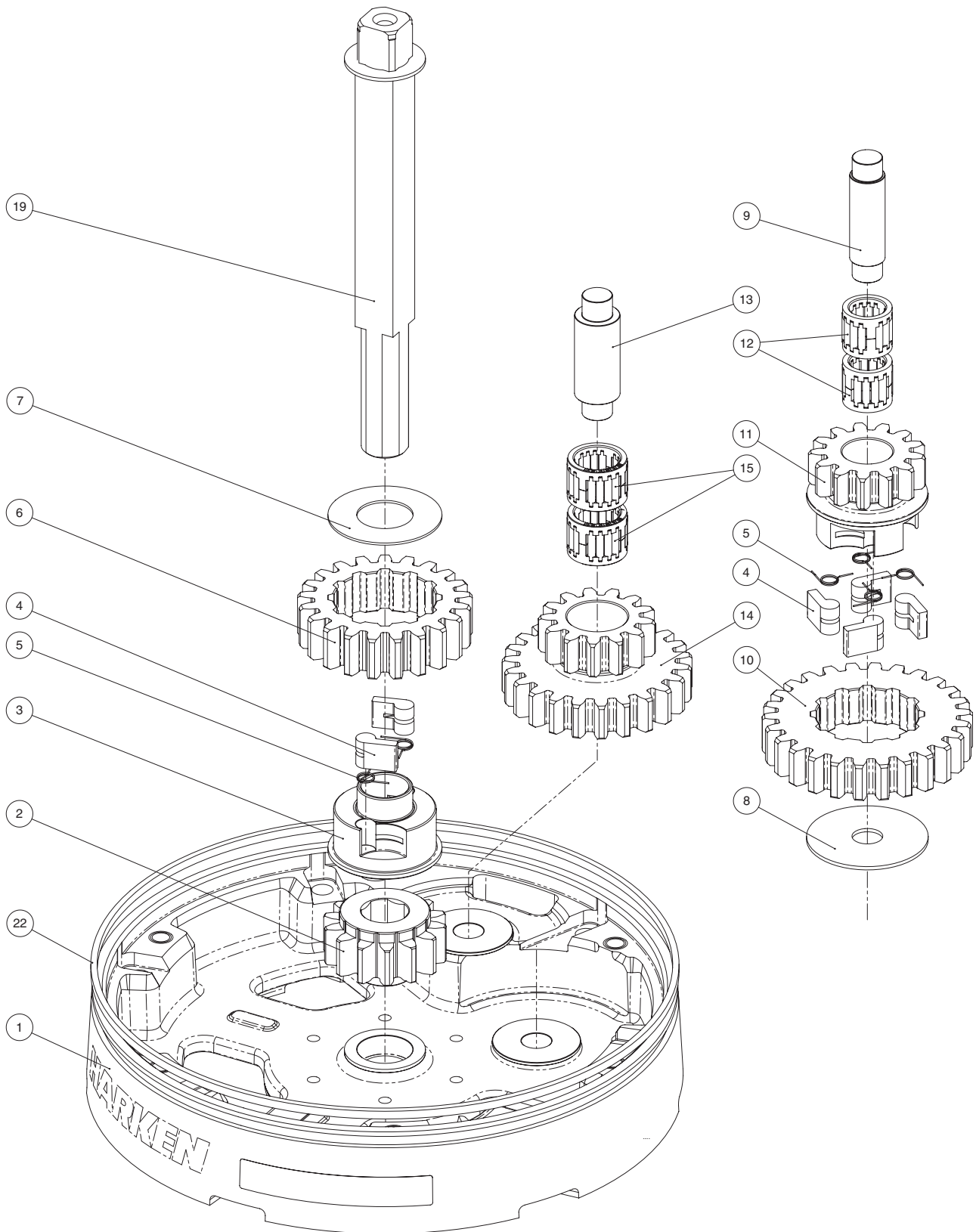


**Exploded view**

Radial Winch 60.2 STA, STC, STCW



Radial Winch 60.2 STA, STC, STCW

## Radial Winch 60.2 STC

C=drum in chrome bronze

| Pos. | Q.ty | Code       | Description  | Pos. | Q.ty | Code                     | Description   |
|------|------|------------|--|------|------|--------------------------|---|
| 1    | 1    | A94143000  | Assy Base Winch 60<br>Base W60<br>Heli-coil M8x10          | 18   | 3    | A74145000                | Roller Bearing Ø95xØ107x26  |
|      | 1    | S476030004 | Centering bushing Ø12                                      | 19   | 1    | A94143800                | Assy Shaft Winch 60<br>Central shaft W60 ST   |
|      | 1    | S4152300A7 | Bushing Ø22xØ25x9.5  | 1    | 1    | S413880002               | Washer Ø17.2xØ32x1.5  |
|      | 2    | S415580085 | Bushing Ø12xØ35x9<br>Winch Product Sticker**               | 20   |      |                          | Winch Serial Number Sticker   |
|      |      |            |  | 21   | 1    | S4144300A0               | Stripper Arm support W60/70   |
| 2    | 1    | S414400004 | Gear Z14 W60   | 22   | 1    | S281700097               | Red line  |
| 3    | 1    | S413030004 | Pawls Carrier Ø8xN2  | 23   | 1    | A94143500                | Assy Jaws Winch 60<br>Lower Jaw W60<br>Upper Jaw W60<br>Peeler W60 - 70<br>SPRING         |
| 4    | 6    | S000080003 | Pawl Ø8*   | 1    | 4    | S414850080<br>S385970001 |   |
| 5    | 6    | S000380001 | Pawl Spring Ø8*  |      |      |                          |   |
| 6    | 1    | S414390041 | Ratchet Gear Z21xN2  | 24   | 1    | A74143400                | Drum Assembly W60 C   |
| 7    | 1    | S413120002 | Washer Ø22.5xØ45x1   | 25   | 47   | M0610280                 | Ball 5/16"  |
| 8    | 1    | S278170002 | Washer Ø12.5xØ48x1.5                                       | 26   | 4    | M0601803                 | Screw UNI EN ISO 1207:1996 - M6x35 - A4   |
| 9    | 1    | S281010004 | Pin for gear   | 27   | 1    | S414460019               | Stripper arm Winch 60   |
| 10   | 1    | S414420041 | Ratchet Gear Z26xN4  | 28   | 3    | M0601903                 | Screw M6x16 UNI1207   |
| 11   | 1    | S414410004 | Pawls Carrier Gear Z13 N4                                  | 29   | 1    | S4162200B1               | Cover 2 Speed W60   |
| 12   | 2    | A72821800  | Roller Bearing 14/20/18                                    | 30   | 1    | A94136400                | Assy Socket W20-80<br>Socket Handle W20/80<br>Washer Ø7.7xØ25x5.8<br>Screw M8x20 UNI 6109 |
| 13   | 1    | S416030004 | Gear Pin Ø12xØ18x52.5                                      |      |      |                          |   |
| 14   | 1    | S414480004 | Idler and Pinion Z23/Z13 W60                               | 1    | 1    | S415130085               |   |
| 15   | 2    | A74162300  | Roll bearing 24x18x18                                      | 1    | 1    | M0614303                 |   |
| 16   | 1    | A94143100  | Assy Housing Winch 60.2<br>Housing W60                     |      |      |                          |   |
|      | 2    | S415580085 | Bushing Ø12xØ35x9<br>Heli-coil M6x9<br>Support Bushing W60 |      |      |                          |   |
|      | 1    | S4130900A7 | Bushing Ø22xØ25x8.5  |      |      |                          |   |
| 17   | 6    | M0606303   | Screw M8x25 UNI 5931                                       |      |      |                          |   |

\*Available with service kit; see website [www.harken.com](http://www.harken.com)

\*\*Winch product sticker

