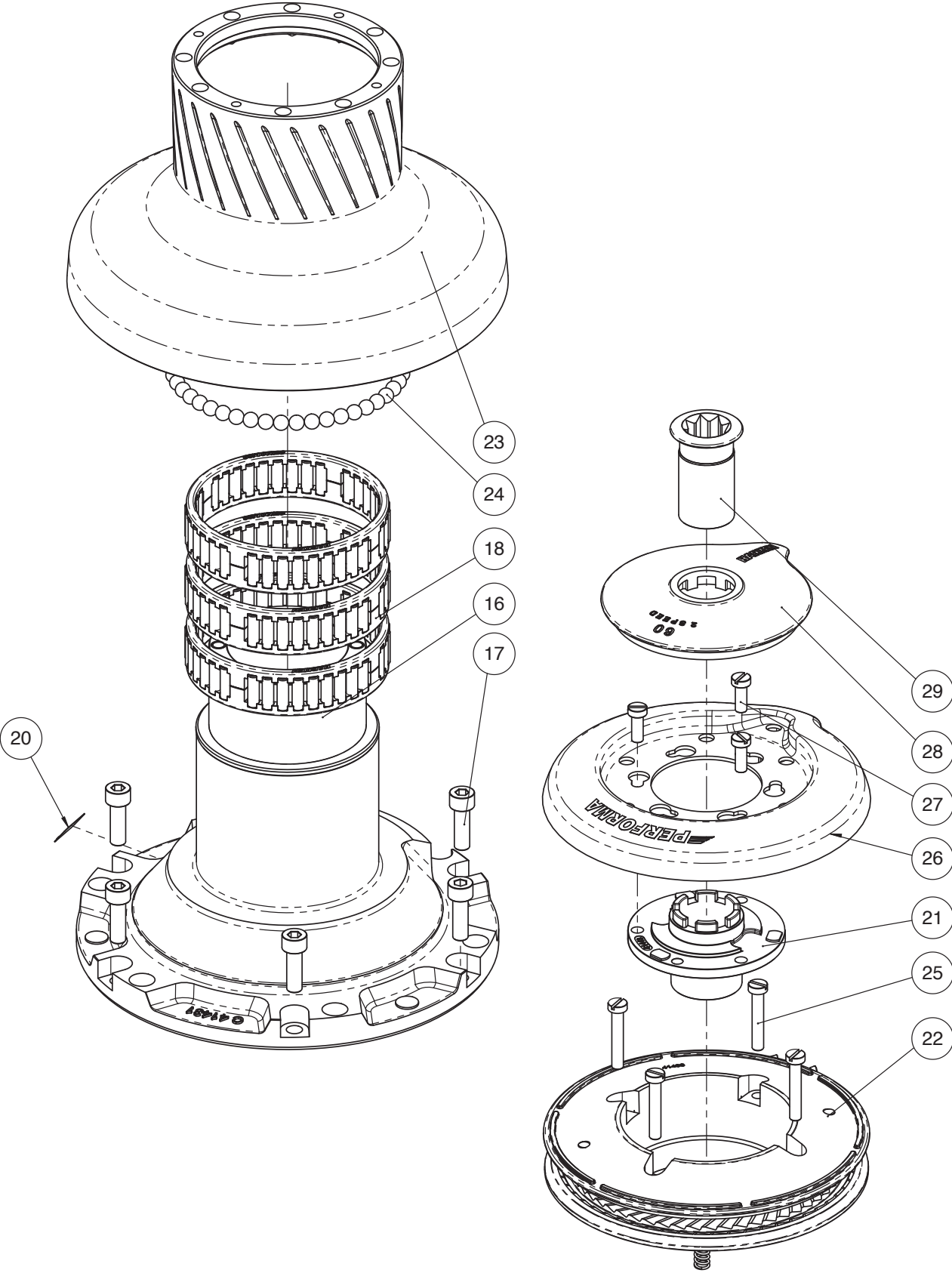
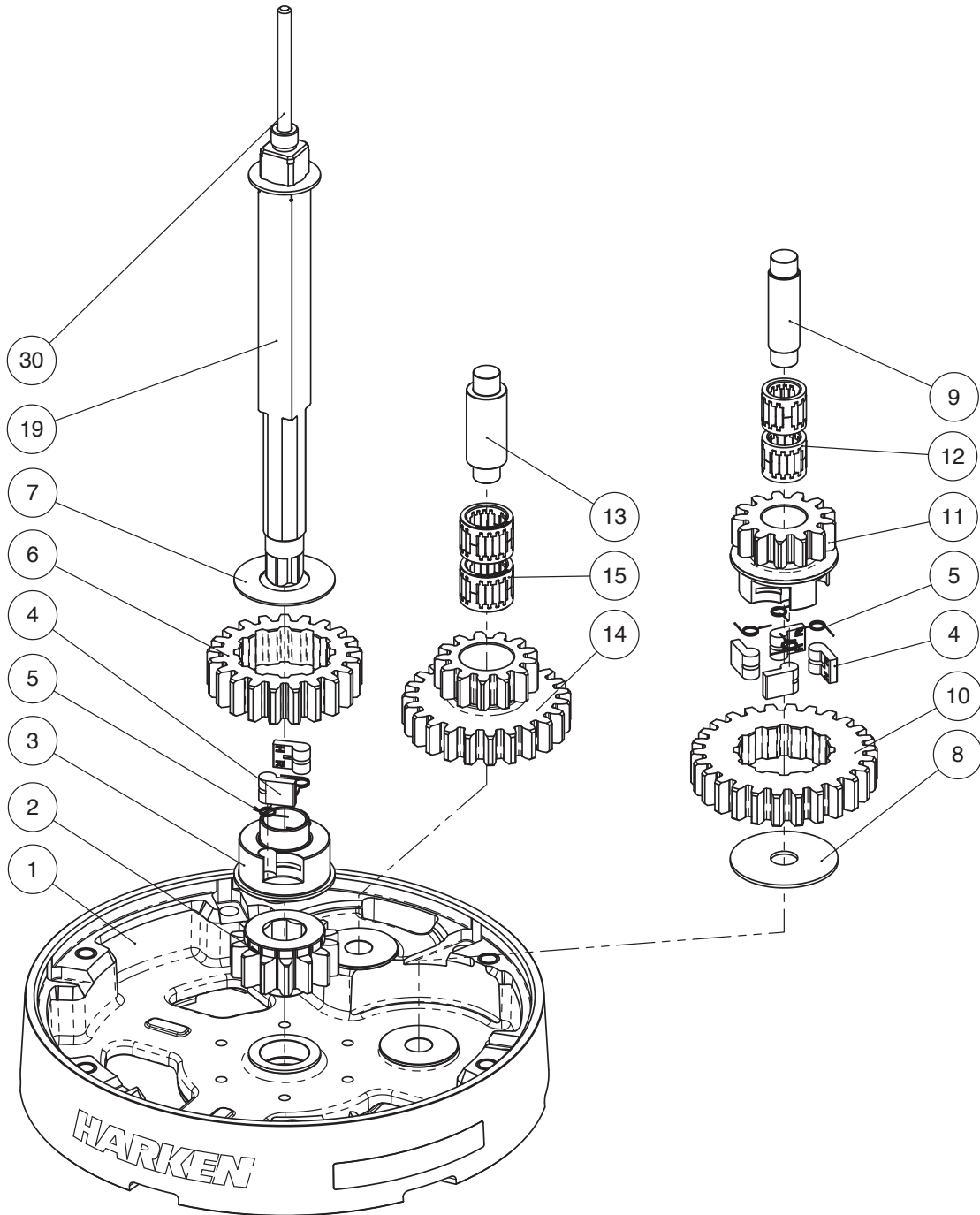


Performa Winch 60.2 STP E/HY



Performa Winch 60.2 STP E/HY



Performa Winch 60.2 STP E/HY

Pos	Q.ty	Code	Description	Pos	Q.ty	Code	Description
1	1	A96574500	Performa Assy Base W60 EL/HY <i>W60 Performance Base Heli-coil M8x10</i>	17	6	M0606303	Screw M8x25 UNI 5931
	1	S476030004	<i>Centering bushing Ø12</i>	18	3	A74145000	Roller Bearing Ø95xØ107x26
	1	S4130900A7	<i>Bushing Ø22xØ25x8.5</i>	19	1	A96753600	Assy Central Shaft Winch 60 EL/HY <i>Central Shaft Pred. W60</i>
	2	S415580085	<i>Bushing Ø12xØ35x9</i> <i>Winch Product Sticker**</i>		1	S413880002	<i>Washer Ø17.2xØ32x1.5</i>
2	1	S414400004	Gear Z14 W60	20			Winch Serial Number Sticker
3	1	S413030004	Pawls Carrier Ø8xN2	21	1	S4144300A0	Stripper Arm Housing W60/70
4	6	S000090004	Pawl Ø8*	22	1	A96555900	Performa Assy Jaws W60 <i>Lower Jaw W60</i>
5	6	S000380001	Pawl Spring Ø8*		1	S414850080	<i>Upper Jaw W60</i>
6	1	S414390041	Ratchet Gear Z21xN2		4	S018520001	<i>Peeler W60 - 70</i> <i>Spring</i>
7	1	S413120002	Washer Ø22.5xØ45x1	23	1	A76537501	Performa Drum Assembly W60
8	1	S278170002	Washer Ø12.5xØ48x1.5	24	47	M0610280	Ball 5/16"
9	1	S281010004	Pin for gear	25	4	M0601803	Screw UNI EN ISO 1207:1996 - M6x35 - A4
10	1	S414420041	Ratchet Gear Z26xN4	26	1	S657410019	Performa Black Stripper Arm W60
11	1	S414410004	Pawls Carrier Gear Z13 N4	27	3	M0601903	Screw M6x16 UNI1207
12	2	A72821800	Roller Bearing Ø14xØ20x18	28	1	S4162200B1	Cover 2 Speed W60
13	1	S416030004	Gear Pin Ø12xØ18x52,5	29	1	A94149300	Assy Socket W35-80 EL/HY <i>Socket Handle W20/80</i>
14	1	S414480004	Idler and Pinion Z23/Z13 W60		1	S414940085	<i>Washer Ø25xØ15x4</i>
15	2	A74162300	Roll bearing Ø24xØ18x18		1	S414930003	<i>Nut Screw for Disconnect Rod</i>
16	1	A94143100	Assy Housing Winch 60.2 <i>Housing W60</i> <i>Heli-coil M6x9</i>		1	M0679797	<i>O ring RC 2025 series</i>
	2	S415580085	<i>Bushing Ø12xØ35x9</i>	30	1	S416130002	Disconnect Rod W60
	1	S4130900A7	<i>Support Bushing W60</i> <i>Bushing Ø22xØ25x8.5</i>				

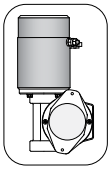
*Available with service kit; see website www.harken.com

**Winch product sticker

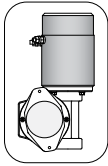


Horizontal electric motor

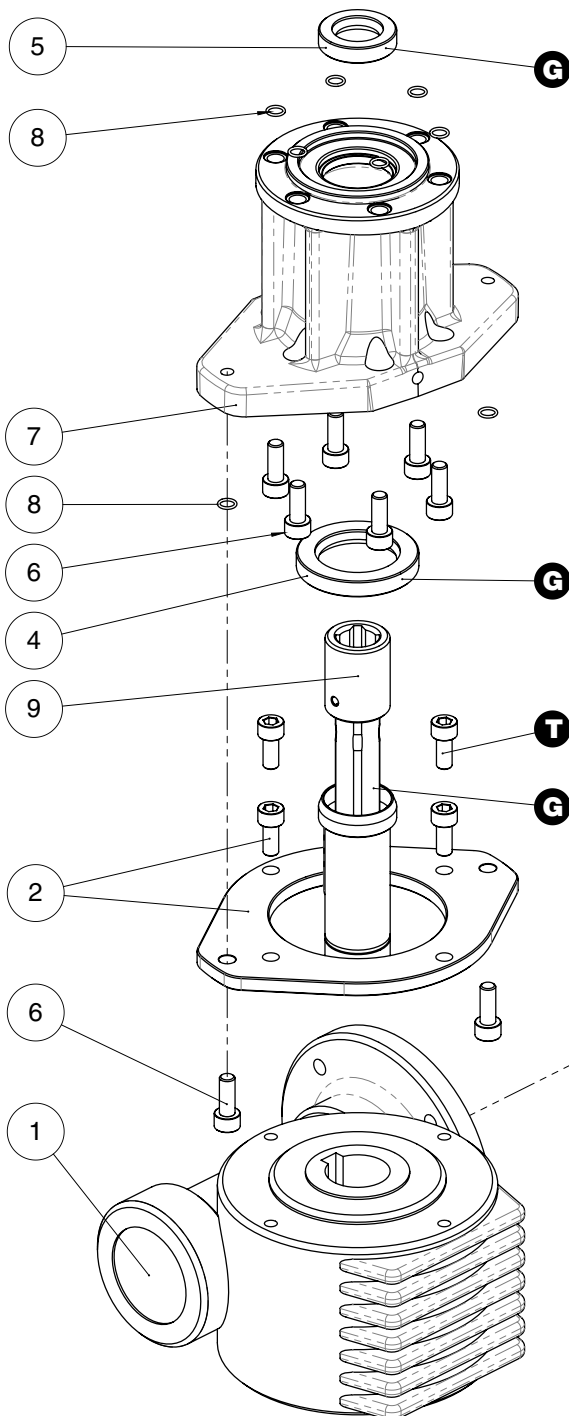
TOP VIEW



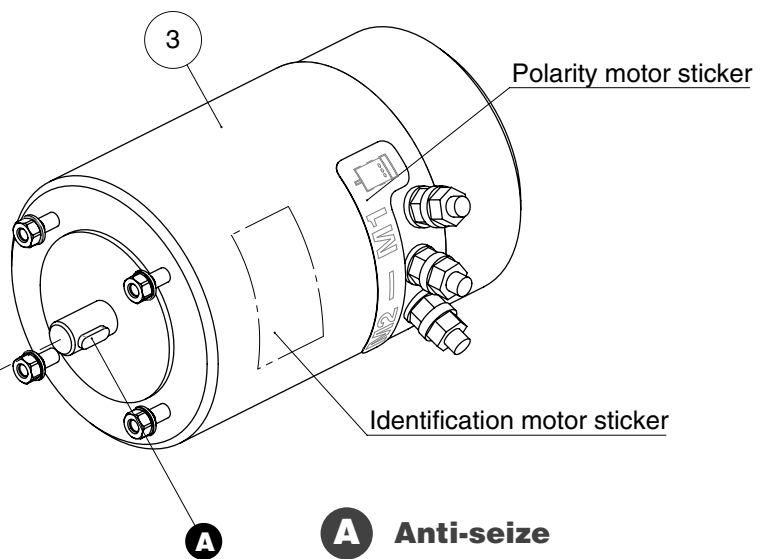
* Motor installed in right-hand configuration.



** Motor installed in left-hand configuration.



Pos	Q.ty	Code	Description
1	1	A93127900	KIT Gear Reduction 1/24
	1	A94194900	KIT LM Gear Reduction 1/24
2	1	A94149200	KIT Assy Electric Motor Flange
	1	A94149200L	KIT Assy Electric Motor Flange Left
	4	M0606803	Electric Motor Flange Screw M6x14 UNI 5931
3	1	A96010700	KIT EL Motor 12V 1,5kW
	1	A96010600	KIT EL Motor 24V 2kW
			Electric Motor Polarity motor sticker Screw stud M6x26 Washer Ø6 Nut M6 UNI5588
	1	M6014206	Key DIN 6885 5x5x15
4	1	M0612097	Sealer Ø30xØ47x7
5	1	M6007297	Lip seal Ø17xØ30x7
6	8	S415360003	Screw M6x16 UNI EN ISO 5931:2003 precote coating
7	1	S496650053	Horizontal Motorgear Flange
8	8	M6015697	O-Ring Seal ORM 0055-10 (Ø5,5 x Ø1)
9	1	A96589000	Performa KIT EL HO Motor Clutch
			Shaft Motorgear HO Performa HO Gear Motor Shaft Hub GearMotor
	1	M0601402	Dowel UNI EN ISO 8752:2000- Ø4x24
	1	M6020097	O-ring 19.1x1.6
	1	S418620001	Disconnect spring
	1	S414050080	Flange GearMotor Shaft HO
1	M6010303	Key 8x5x40 UNI 7511	



- A** Anti-seize
- G** Harken® Grease
- T** Axial Threadlocker