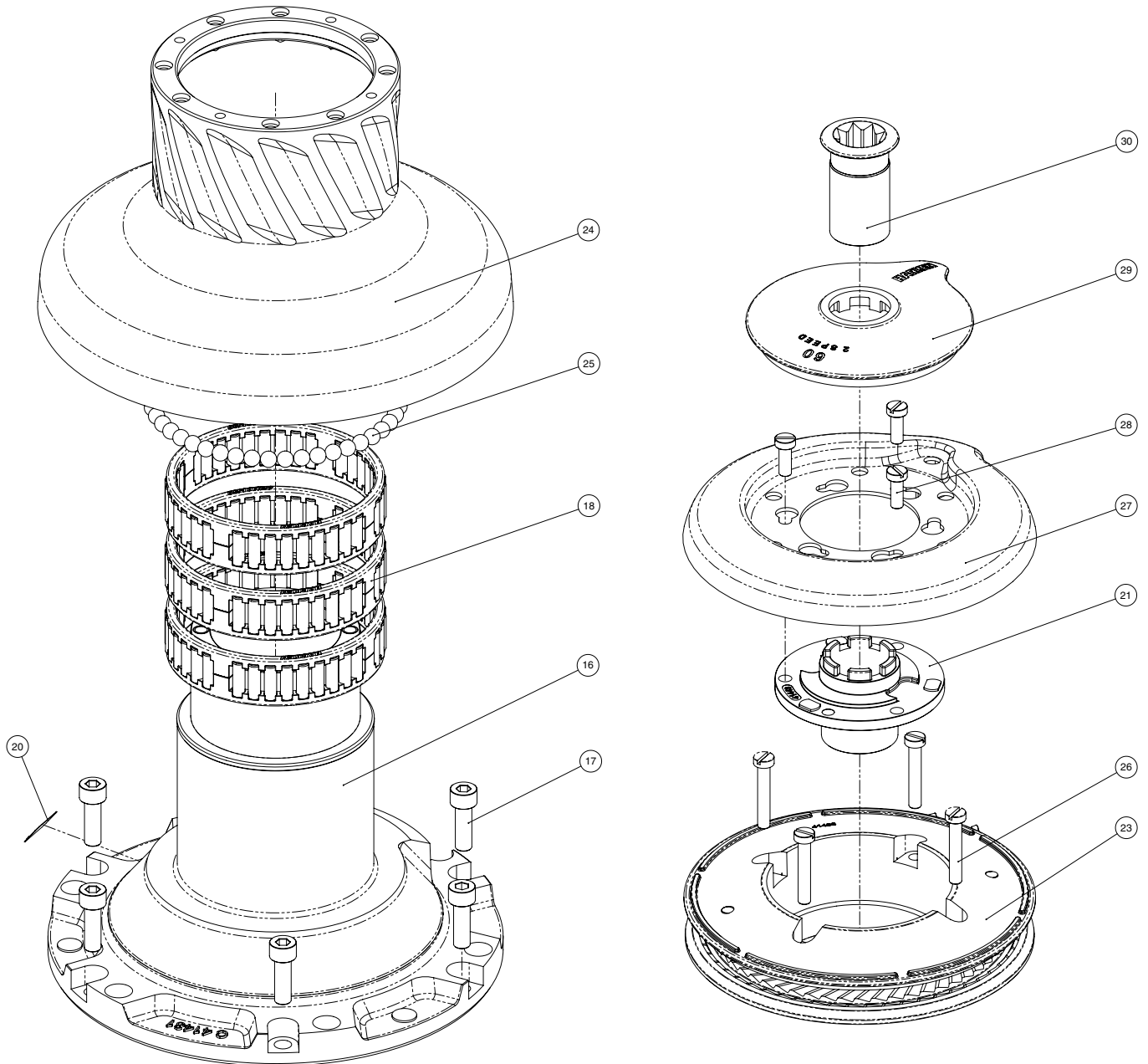
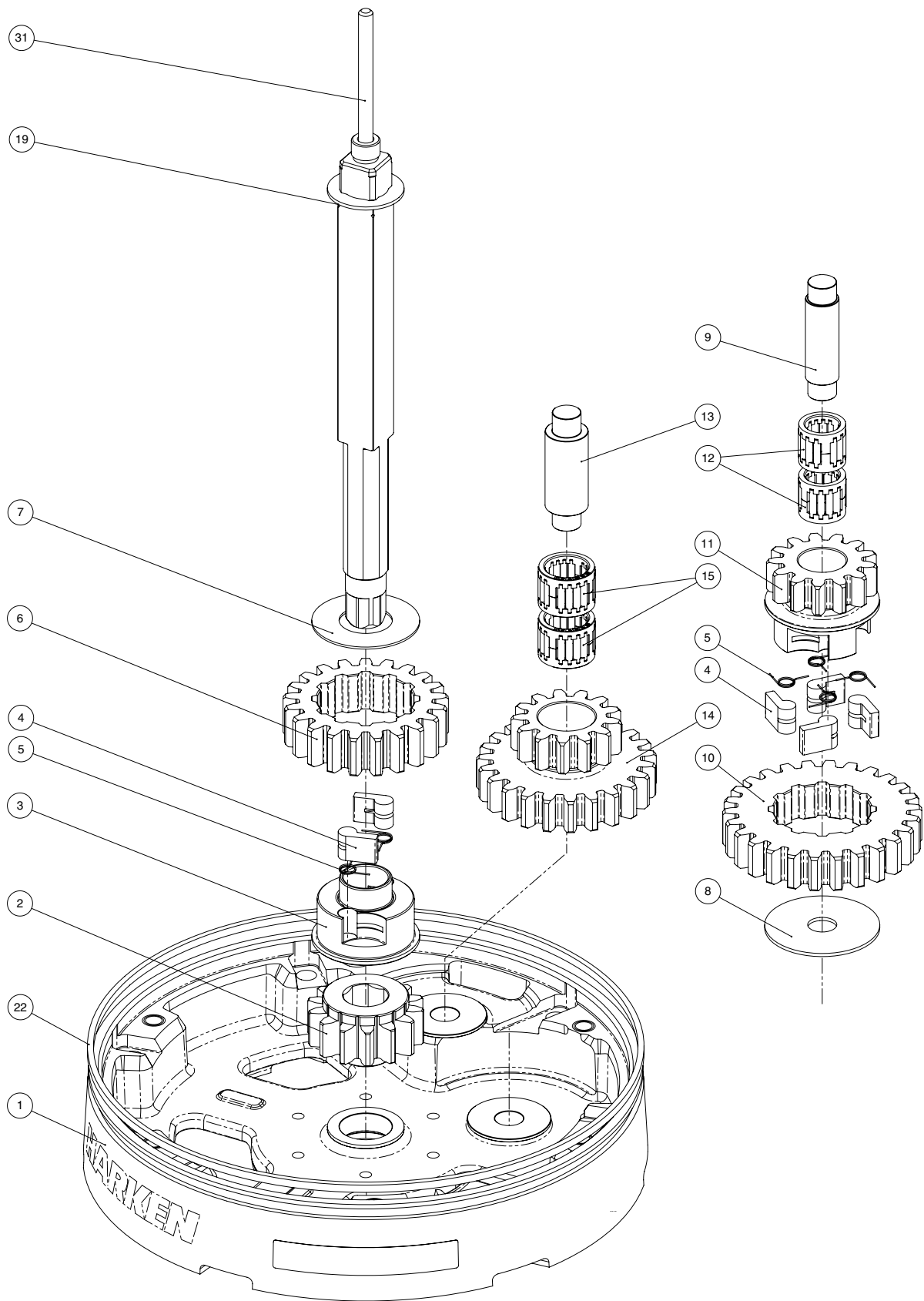


Exploded view

Radial Winch 60.2 STA, STC, STCW



Radial Winch 60.2 STA, STC, STCW

Radial Winch 60.2 STCW

CW = chrome/white

Pos.	Q.ty	Code	Description	Pos.	Q.ty	Code	Description
1	1	A96726100W	Base Assy W60 STC W EL/HY <i>Base W60 Heli-coil M8x10 Skirt W60 RAL9003</i>	18	3	A74145000	Roller Bearing Ø95xØ107x26
	1	S6616600A5W	<i>Centering bushing Ø12</i>	19	1	A96753600	Assy Central Shaft Winch 60 EL/HY <i>Central Shaft Pred. W60 Washer Ø17.2xØ32x1.5</i>
	1	S476030004	<i>Bushing Ø22xØ25x8.5</i>	1	1	S413880002	Winch Serial Number Sticker
	1	S4130900A7	<i>Bushing Ø12xØ35x9</i>	20			
	2	S415580085	<i>Winch Product Sticker**</i>	21	1	S4144300A0	Stripper Arm Housing W60/70
2	1	S414400004	Gear Z14 W60	22	-	-	-
3	1	S413030004	Pawls Carrier Ø8xN2	23	1	A94143500W	Assy Jaws Winch 60 <i>Lower Jaw W60 RAL9003 Upper Jaw W60 RAL9003 Peeler W60 - 70 RAL9003 SPRING</i>
4	6	S000080003	Pawl Ø8*	1	1	S414850080W	
5	6	S000380001	Pawl Spring Ø8*	4	4	S385970001	
6	1	S414390041	Ratchet Gear Z21xN2	24	1	A74143400	Drum Assembly W60 C
7	1	S413120002	Washer Ø22.5xØ45x1	25	47	M0610280	Ball 5/16"
8	1	S278170002	Washer Ø12.5xØ48x1.5	26	4	M0601803	Screw UNI EN ISO 1207:1996 - M6x35 - A4
9	1	S281010004	Pin for gear	27	1	S414460019	Stripper arm Winch 60
10	1	S414420041	Ratchet Gear Z26xN4	28	3	M0601903	Screw M6x16 UNI1207
11	1	S414410004	Pawls Carrier Gear Z13 N4	29	1	S4162200B1W	Cover 2 Speed W60 RAL9003
12	2	A72821800	Roller Bearing Ø14xØ20x18	30	1	A94149300	Assy Socket W35-80 EL/HY <i>Socket Handle W20/80 Washer Ø25xØ15x4 Nut Screw for Disconnect Rod O ring RC 2025 series</i>
13	1	S416030004	Gear Pin Ø12xØ18x52,5	1	1	S414940085	
14	1	S414480004	Idler and Pinion Z23/Z13 W60	1	1	S414930003	
15	2	A74162300	Roll bearing Ø24xØ18x18	1	1	M0679797	
16	1	A94143100	Assy Housing Winch 60.2 <i>Housing W60 Heli-coil M6x9</i>	31	1	S416130002	Disconnect Rod W60
	2	S415580085	<i>Bushing Ø12xØ35x9</i>				
	1	S414320053	<i>Support Bushing W60</i>				
	1	S4130900A7	<i>Bushing Ø22xØ25x8.5</i>				
17	6	M0606303	Screw M8x25 UNI 5931				

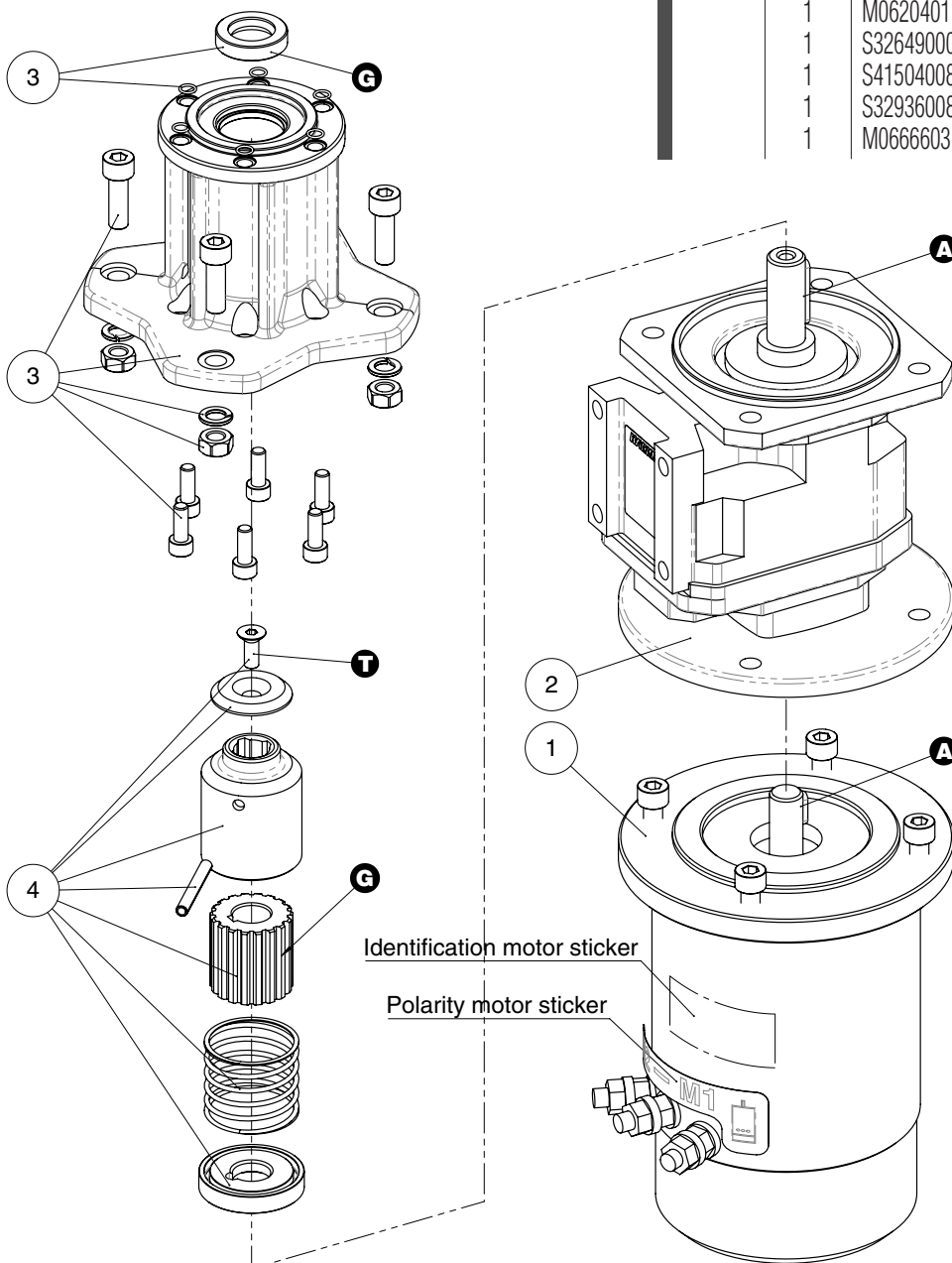
*Available with service kit; see website www.harken.com

**Winch product sticker



Vertical electric motor 12V / 24V

Pos.	Q.ty	Code	Description	Pos.	Q.ty	Code	Description	
1	1	A96010500	KIT EL Motor 12V 1,5kW VT	3	1	A94150500	KIT EL VT Motor Flange	
	1	A96010400	KIT EL Motor 24V 2kW VT					Vertical Motorgear Flange
			Electric Motor		4	M0602903		NUT M8 - UNI 5588 - A4
			Polarity motor sticker		4	M0603103		WASHER 8.4 U1751 DIN127 A4
1	1	M6014206	Screw M8x20 UNI5931	1	M6007297		Lip seal Ø17xØ30x7	
				6	M6015697		O-Ring Seal ORM 0055-10 (Ø5,5 x Ø1)	
				6	S415360003		Screw M6x16 UNI EN ISO 5931:2003 precote coating	
2	1	A96562900	Vertical reduction gear box 1/21.3	4	M0606303		Screw M8x25 UNI 5931	
				4	1	A94193700	KIT EL VT Motor Clutch	
					1	M0620401	Connecting Coupling Ø31.5	
					1	S326490001	Toothed coupling	
					1	S415040080	Spring pin 5x40 DIN1481	
					1	S329360082	Spring	
					1	M0666603	Bushing	
					1		Washer	
					1		Screw M6x16 UNI 5933	



- A** Anti-seize
- G** Harken® Grease
- T** Axial Threadlocker