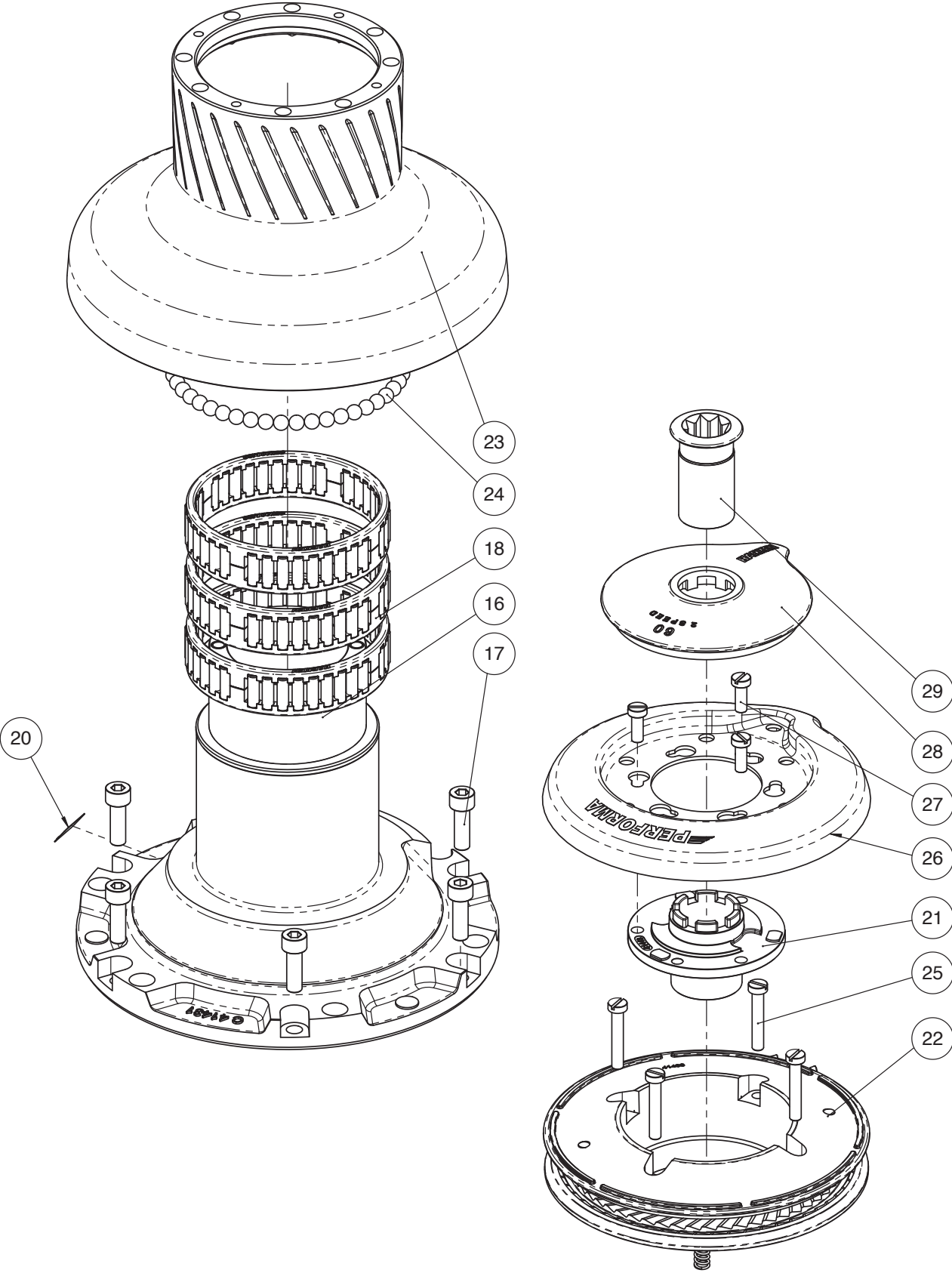
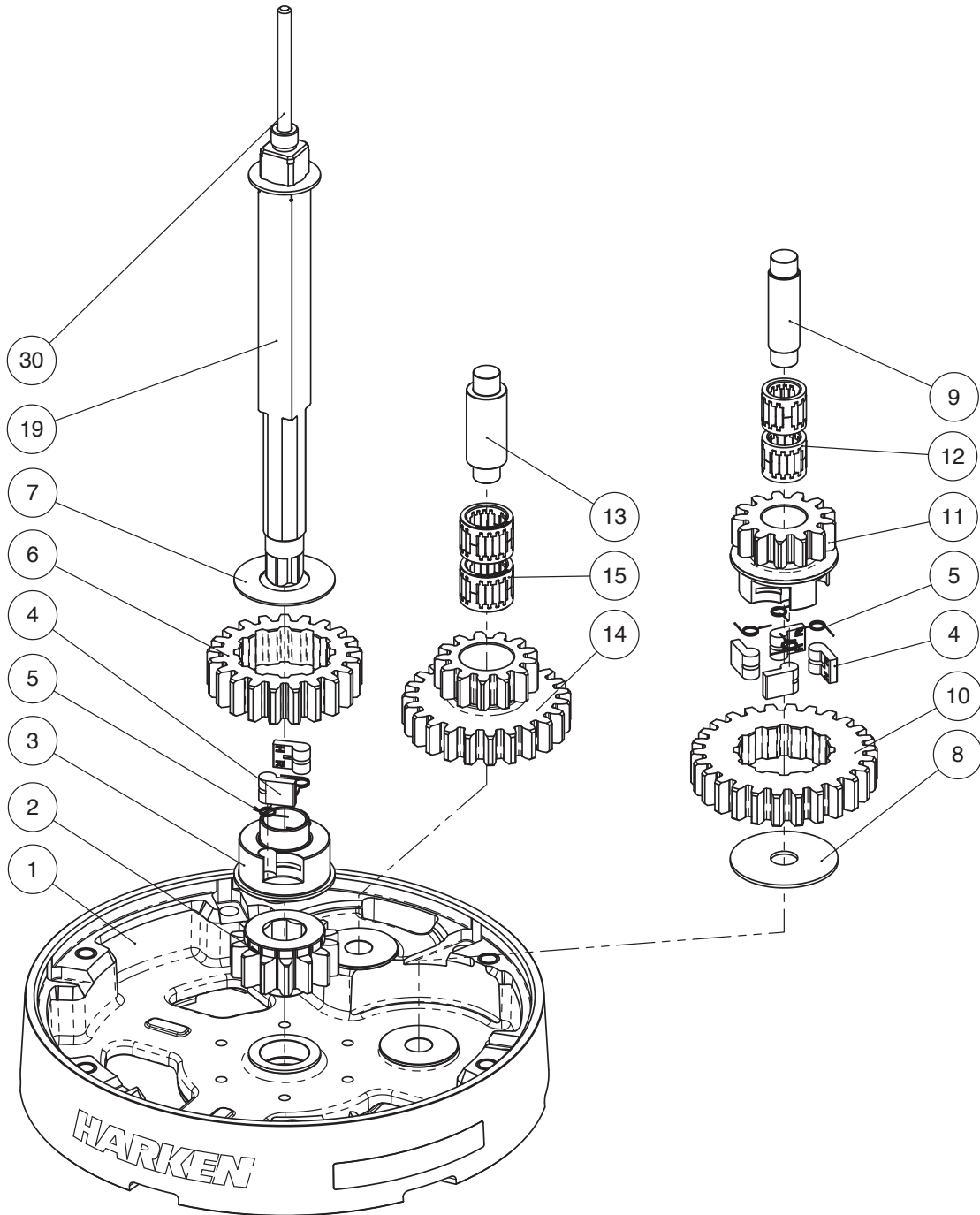


Performa Winch 60.2 STP E/HY



Performa Winch 60.2 STP E/HY



Performa Winch 60.2 STP E/HY

Pos	Q.ty	Code	Description	Pos	Q.ty	Code	Description
1	1	A96574500	Performa Assy Base W60 EL/HY W60 Performance Base Heli-coil M8x10	17	6	M0606303	Screw M8x25 UNI 5931
	1	S476030004	Centering bushing Ø12	18	3	A74145000	Roller Bearing Ø95xØ107x26
	1	S4130900A7	Bushing Ø22xØ25x8.5	19	1	A96753600	Assy Central Shaft Winch 60 EL/HY Central Shaft Pred. W60
	2	S415580085	Bushing Ø12xØ35x9 Winch Product Sticker**		1	S413880002	Washer Ø17.2xØ32x1.5
2	1	S414400004	Gear Z14 W60	20			Winch Serial Number Sticker
3	1	S413030004	Pawls Carrier Ø8xN2	21	1	S4144300A0	Stripper Arm Housing W60/70
4	6	S000090004	Pawl Ø8*	22	1	A96555900	Performa Assy Jaws W60 Lower Jaw W60
5	6	S000380001	Pawl Spring Ø8*		1	S414850080	Upper Jaw W60
6	1	S414390041	Ratchet Gear Z21xN2		4	S018520001	Peeler W60 - 70 Spring
7	1	S413120002	Washer Ø22.5xØ45x1	23	1	A76537501	Performa Drum Assembly W60
8	1	S278170002	Washer Ø12.5xØ48x1.5	24	47	M0610280	Ball 5/16"
9	1	S281010004	Pin for gear	25	4	M0601803	Screw UNI EN ISO 1207:1996 - M6x35 - A4
10	1	S414420041	Ratchet Gear Z26xN4	26	1	S657410019	Performa Black Stripper Arm W60
11	1	S414410004	Pawls Carrier Gear Z13 N4	27	3	M0601903	Screw M6x16 UNI1207
12	2	A72821800	Roller Bearing Ø14xØ20x18	28	1	S4162200B1	Cover 2 Speed W60
13	1	S416030004	Gear Pin Ø12xØ18x52,5	29	1	A94149300	Assy Socket W35-80 EL/HY Socket Handle W20/80
14	1	S414480004	Idler and Pinion Z23/Z13 W60		1	S414940085	Washer Ø25xØ15x4
15	2	A74162300	Roll bearing Ø24xØ18x18		1	S414930003	Nut Screw for Disconnect Rod
	1	A94143100	Assy Housing Winch 60.2 Housing W60 Heli-coil M6x9		1	M0679797	O ring RC 2025 series
	2	S415580085	Bushing Ø12xØ35x9 Support Bushing W60	30	1	S416130002	Disconnect Rod W60
16	1	S4130900A7	Bushing Ø22xØ25x8.5				

*Available with service kit; see website www.harken.com

**Winch product sticker



Hydraulic motor

Pos	Q.ty	Code	Description	Pos	Q.ty	Code	Description
1	1	G045942000Y	Hydraulic motor W46-60	4	1	A94149100	KIT HY Motor Flange W46-70
2	1	S415000080	Hydraulic Motor Spacer	6	1	S415360003	Hydraulic Motorgear Flange Screw M6x16 UNI EN ISO 5931:2003 precote coating
3	1	A94193200	KIT Clutch HY Motor W46-70	6	1	M6015697	O-Ring Seal ORM 0055-10 (Ø5,5 x Ø1)
			Toothed coupling	1	1	M6007297	Lip seal Ø17xØ30x7
			Connecting Coupling Ø31.5	2	1	M0621503	Washer D.13 U1751 DIN127
	1	M0620401	Spring pin 5x40 DIN1481	2	1	M0667103	Screw M12x35 UNI5931
	1	S415010080	Bushing				
	1	S326490001	Spring				
	1	S329360082	Washer				
	1	M0635303	Screw M8x16 UNI6109				

