

# Installation and Maintenance Manual

MRPW-D

## Performa™ Winch 60.2 STP



**HARKEN®**

<b>Introduction</b>	3
<b>Technical characteristics</b>	3
<i>Weight</i>	3
<i>Maximum working load</i>	3
<b>Outline</b>	3
<b>Installation</b>	4
<i>Installation procedure</i>	7
<i>Positioning the self-tailing arm</i>	8
<b>Maintenance</b>	8
<i>Washing</i>	8
<i>Maintenance table</i>	8
<i>Disassembly procedure</i>	8
<i>Exploded view with maintenance products</i>	12
<i>Assembly</i>	13
<b>Harken® limited worldwide warranty</b>	14
<b>Ordering spare parts</b>	14
<b>Exploded view</b>	15
<b>Parts list</b>	17

## Introduction

This manual gives technical information on winch installation and maintenance, including disassembling and reassembling.

This information is DESTINED EXCLUSIVELY for specialised personnel or expert users.

Installation, disassembling and reassembling of the winch by personnel who are not experts may cause serious damage to users and those in the vicinity of the winch.

Harken® accepts no responsibility for defective installation or reassembly of its winches.

In case of doubt the Harken® Tech Service is at your disposal at [techservice@harken.it](mailto:techservice@harken.it)

This Manual is available only in English. If you do not fully understand the English language, do not carry out the operations described in this Manual.

## Technical characteristics

	Power ratio	Gear ratio
1st speed	20,30 : 1	4,80 : 1
2nd speed	61,00 : 1	14,40 : 1

*The theoretical power ratio does not take friction into account.*

### Weight

	ST Version
Weight (Kg)	10,2

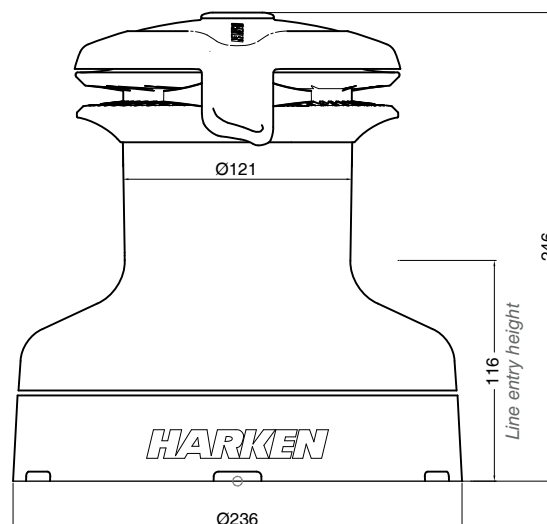
### Maximum working load



#### **WARNING!**

The maximum working load (MWL) for the 60.2 ST Performa™ Winch is 1800Kg (2968 lb). Subjecting the winch to loads above the maximum working load can cause the winch to fail or pull off the deck suddenly and unexpectedly during high loads causing severe injury or death.

## Outline



## Installation

The winch must be installed on a flat area of the deck, reinforced if necessary to bear a load equal to at least twice the maximum working load of the winch.

It is the installer's responsibility to carry out all structural tests needed to ensure that the deck can bear the load.

Harken® does not supply the screws needed to install the winch since these may vary depending on the deck on which it is to be installed.

It is the installer's responsibility to choose the correct screws taking account of the loads they will have to bear.

Harken® assumes no responsibility for incorrect installation of its winches or for an incorrect choice of mounting screws.



### DANGER!

Incorrect installation of the winch may cause severe injury or death. Consult the yard that built the boat in the case of doubt over the correct positioning of the winch.



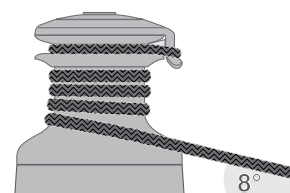
### WARNING!

Failure to use the correct number and type of mounting fasteners or failure to ensure the correct deck strength can result in the winch pulling off the deck suddenly and unexpectedly during high loads causing severe injury or death.



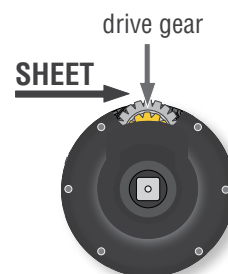
### WARNING!

Verify the entry angle of the sheet. This must be  $8^\circ$  with tolerance of  $\pm 2^\circ$ , to avoid sheet overrides and damaging the winch or making the winch inoperable leading to loss of control of the boat which can lead to severe injury or death.



### WARNING!

Mount the winch on the deck so that the drive gear is positioned where the sheet enters the winch drum. Incorrect position of drive gear can weaken winch leading to failure which can cause an accident leading to severe injury or death.



Once you have chosen the correct mounting position for the winch on the deck proceed with installation.


## Procedure

To install the winch, remove the drum and use Socket Head (SH) bolts or Hexagonal Head (HH) bolts.

### Tools needed

 One medium flat-bladed screwdriver

To identify the various parts, refer to the exploded view at the end of this Manual.

 Torque to apply when assembling

**Follow steps below only to install the winch using Socket Head (SH) bolts**



1. Unscrew the central screw ( $\approx 2\text{Nm}/18\text{ in-lb}$ )



2. Slide off the assy socket n°28 and the cover n°27



3. Unscrew the three screws n°26 ( $\approx 4\text{Nm}/35\text{ in-lb}$ )



4. Remove the stripper arm n°25 by rotating and lifting it.



5. Lift off the drum n°23

Install the winch on the deck in the position you have chosen, keeping in mind the limits described on page 3.

Follow steps below only to install the winch using hexagonal headed bolts



6. Completely unscrew the three screws n° 26



7. Remove the stripper arm housing n°21



8. Slide out the central shaft n°19



9. Unscrew the 6 hex screws n°17  
( $\approx 20\text{Nm}/177\text{ in-lb}$ )



10. Remove the assy housing n°16

Install the winch on the deck in the position you have chosen, keeping in mind the limits described on page 3.

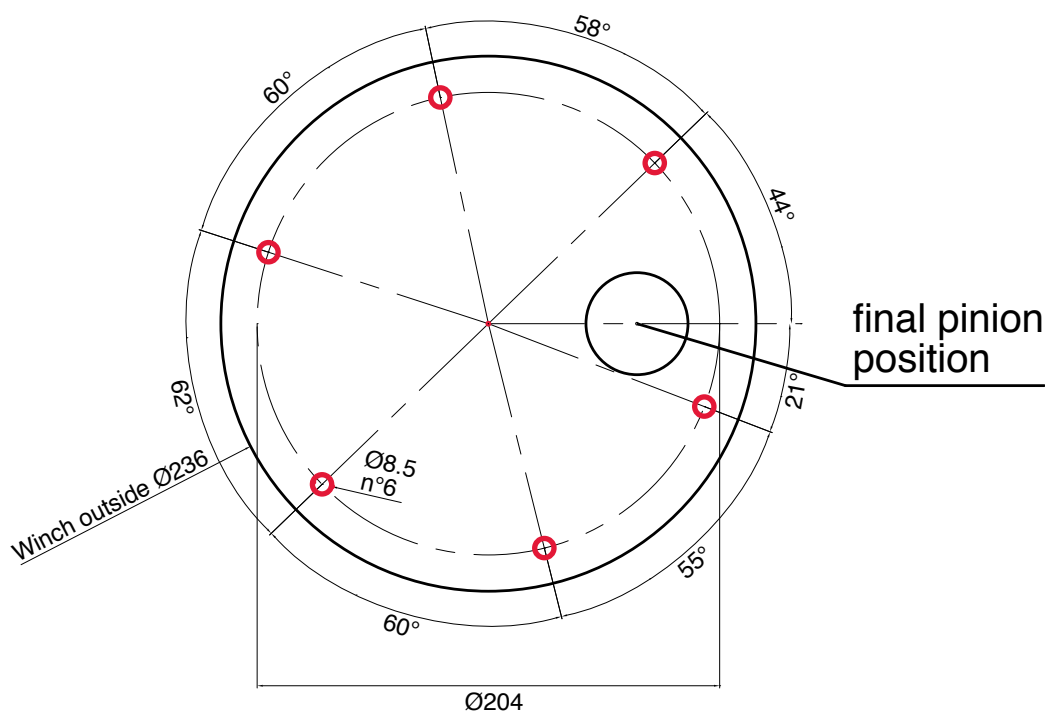
## Installation procedure

Carry out the **Procedure**, then install the winch on the deck in the chosen position.

- A.** Position the base of the winch on the deck and mark the position of the holes or use the drilling cut-out template at the point where you have decided to place the winch.

Below is a reduced scale diagram.

The drilling cut out template is available on the Harken® website, [www.harken.com](http://www.harken.com)



- B.** Remove the winch and drill the six 8.5 mm diameter holes.
- C.** Bolt the base of the winch to the deck using five M8 bolts (not supplied by Harken®), correctly chosen for the thickness and type of the boat deck. Consult the yard that built the boat in case of doubt.



### **WARNING!**

To install the winch on the deck, use only bolts in A4 stainless steel (DIN 267 part11). Bolts made of other materials may not have sufficient strength or may corrode which can result in winch pulling off deck suddenly and unexpectedly during high loads causing severe injury or death.

### **NOTICE**

To mount winches on the deck, do not use countersunk bolts.

- D.** Fill the mounting holes with a suitable marine sealant.
- E.** Remove the excess adhesive/sealant from the holes and base drainage channels

F. Reassemble the winch following the steps of the **Procedure** in the reverse order, and apply the products indicated in the section on maintenance.

## NOTICE

Before closing the winch, make sure the holes and drainage channels in the base of the winch are not obstructed.

### Positioning the self-tailing arm

Position the self-tailing arm so that the line leaving the winch is led into the cockpit.

## Maintenance

---

### Washing

Winches must be washed frequently with fresh water, and in any case after each use.

Do not allow teak cleaning products or other cleaners containing caustic solutions to come into contact with winches and especially anodised, chrome plated or plastic parts.

Do not use solvents, polishes or abrasive pastes on the logos, on the stickers on the winches or on any anodized, chrome plated and plastic surfaces.

Make sure that the holes and drainage channels in the base of the winch are not obstructed so that water does not collect.

### Maintenance table

Winches must be visually inspected at the beginning and end of every season of sailing or racing.

In addition they must be completely overhauled, cleaned and lubricated at least every 12 months.

After an inspection, replace worn or damaged components. Do not replace or modify any part of the winch with a part that is not original.



## WARNING!

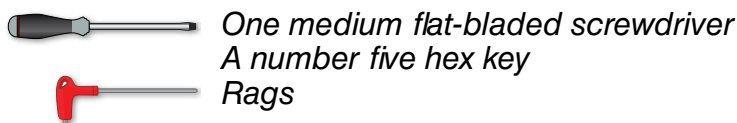
Periodic maintenance must be carried out regularly. Lack of adequate maintenance shortens the life of the winch, can cause serious injury and also invalidate the winch warranty.

Installation and maintenance of winches must be carried out exclusively by specialized personnel.

In the case of doubt contact Harken® Tech Service at [techservice@harken.it](mailto:techservice@harken.it)

### Disassembly procedure

#### *Tools needed*



 Torque to be applied in assembly phase

To identify the various parts refer to the exploded view at the end of this Manual.

Carry out procedure as shown in the paragraph on winch installation and then do the following:



6. Completely unscrew the three screws n° 26



7. Remove the stripper arm housing n°21



8. Slide out the central shaft n°19



9. Unscrew the 6 hex screws n°17  
( $\approx 20\text{Nm}/177\text{ in-lb}$ )



10. Remove the assy housing n°16



11. Remove gear n°6, pawls n°3  
and washer n°7



12. Remove gear n°2.



13. Remove the idler and pinion n°14.



14. Remove roller bearings n°15



15. Remove the pawls n°11.



16. Remove gear n°10



17. Remove roller bearings n°12.

If it is necessary to replace any **jaws** of the winch, proceed as follows:



I. Unscrew the 4 screws n°24  
( $\approx 4\text{Nm}/35\text{ in-lb}$ )



II. Remove the jaws n°22

Inspect balls inside the drum and carefully check the correct position; if it is necessary to put back any balls, push balls in the race (as shown below):



Once the winch is completely disassembled, clean the parts with a degreasing that does not leave residues, proper to clean metal components; rinse plastic parts in fresh water. Once you have done this, dry the parts with cloths that do not leave residue.

Inspect gears, bearings, pins and pawls for any signs of wear or corrosion.

Carefully check the teeth of gears and ring gears to make sure there are no traces of wear.

Check the roller bearings and check there are no breaks in the bearing cages.

Replace worn or damaged components.

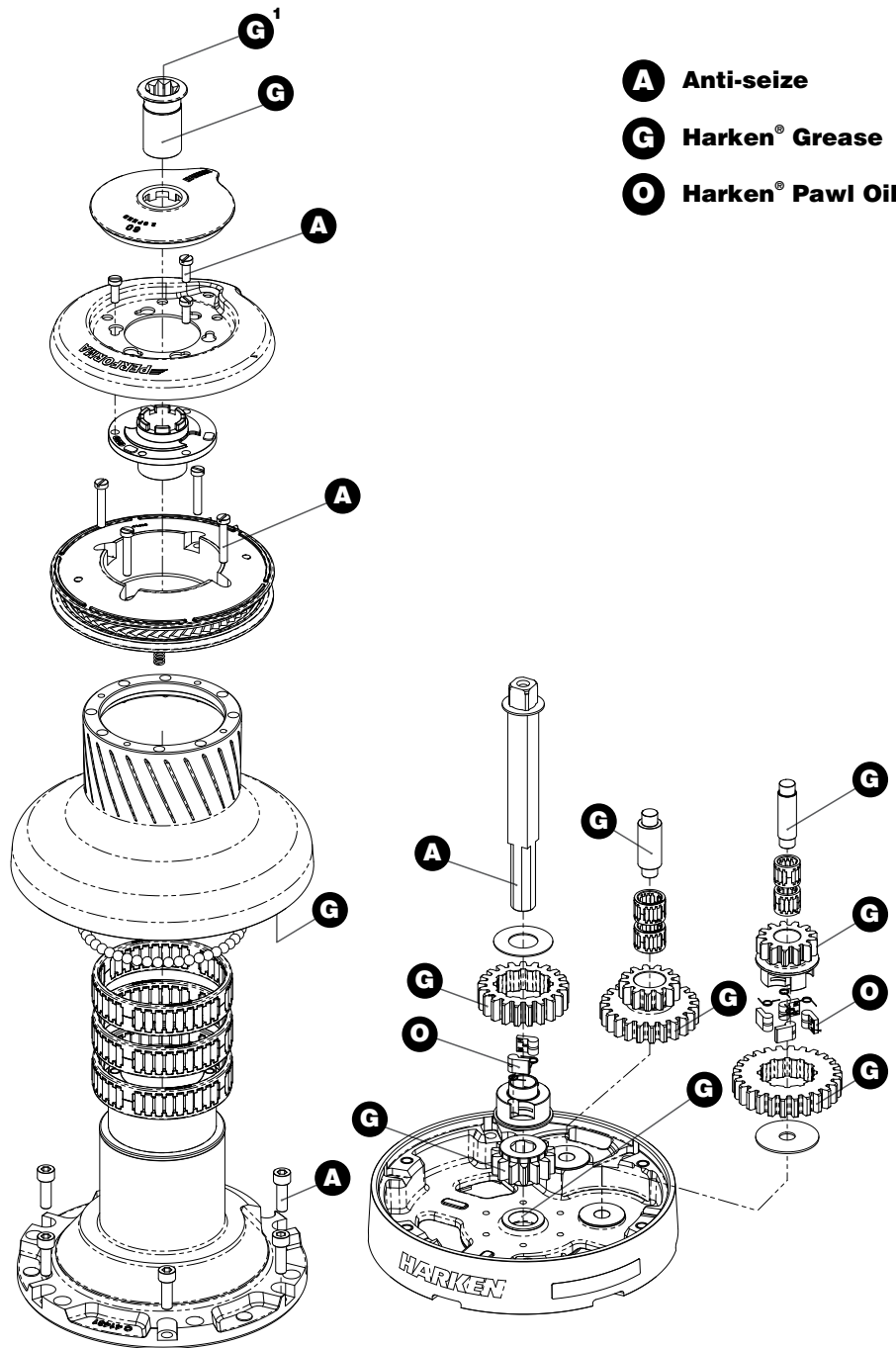
Carry out maintenance on components using the products listed below.

For more information on which products to use where, refer to the exploded diagram below.

Use a brush to lightly lubricate all gears, gear pins, teeth and all moving parts with grease.

Lightly lubricate the pawls and springs with oil. Do not use grease on the pawls!

Exploded view with maintenance products



Apply Harken® grease where indicated above  
 Apply Harken® grease: 1. on assy socket screw

**NOTICE**

On every gear and every component that must be greased, apply Harken® grease with a brush in a proper quantity as shown below:



**NOTICE**

Harken® grease to apply on all teeth: do not use excessive quantity of product to void wastes. If in contact with the pawls, an excess of grease can compromise the safety of the winch.

## Assembly

Make sure that the holes and drainage channels in the base of the winch are not obstructed  
Assemble the winch in the reverse order of the sequence in the section on disassembly.

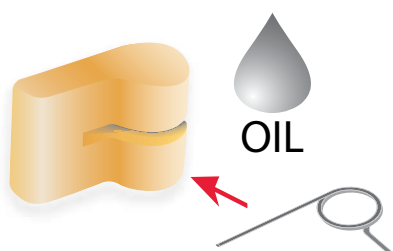
To tighten bolts, use the torque indicated in the disassembly procedure.



When positioning the stripper arm, align the peeler with it.  
If the jaws have been disassembled, insert peeler between the two jaws, taking care that the letters TOP on the peeler are facing upwards.



The icon ▲ on the Stripper Arm Housing indicates the Stripper Arm final position.  
Change the Stripper Arm Housing angle to modify the Stripper Arm final position.



### **To assemble the pawls:**

correctly position the spring in its housing as shown at left. Hold the spring closed and slide the pawl into its housing. Once in position, check that the pawls can be easily opened and closed with a finger.

In case of doubt concerning the assembly procedure contact Harken® Tech Service: [techservice@harken.it](mailto:techservice@harken.it)

## Harken® limited worldwide warranty

Refer to the Harken® Limited Worldwide Warranty in the Harken® Catalogue and on the website [www.harken.com](http://www.harken.com)

## Ordering spare parts

Spare parts can be requested from Harken® as described in the Harken® Limited Worldwide Warranty, indicating the part number in the Parts List and including the serial number of the winch for which the parts are required.

**The serial number of the winch is printed on a plate on the drum support of the winch.**



### Manufacturer

#### **Harken® Italy S.p.A.**

Via Marco Biagi, 14  
22070 Limido Comasco (CO) Italy  
Tel: (+39) 031.3523511  
Fax: (+39) 031.3520031  
Email: [info@harken.it](mailto:info@harken.it)  
Web: [www.harken.com](http://www.harken.com)

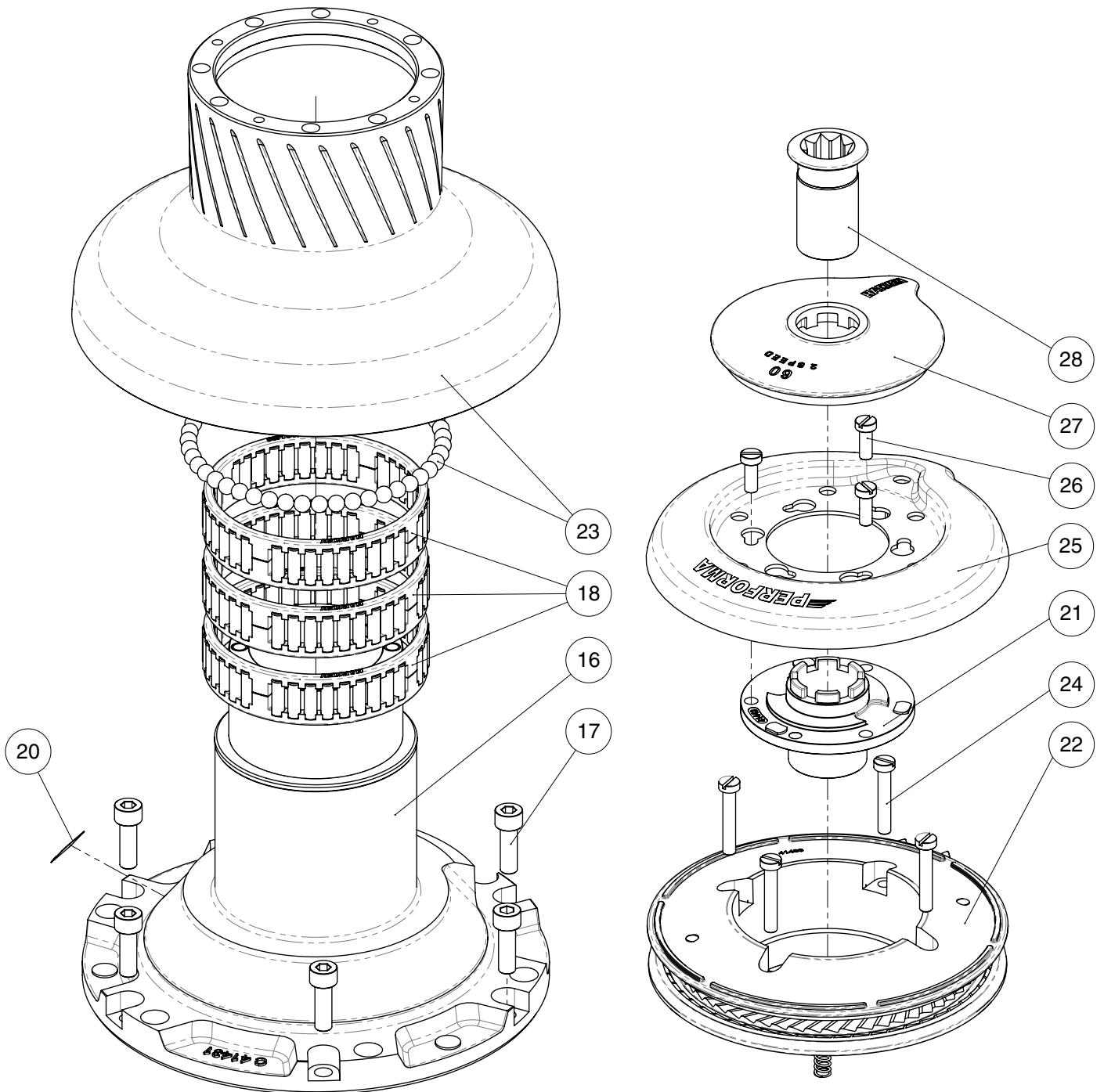
- **Tech Service**  
Email: [techservice@harken.it](mailto:techservice@harken.it)
- **Customer Service**  
Tel: (+39) 031.3523511  
Email: [info@harken.it](mailto:info@harken.it)

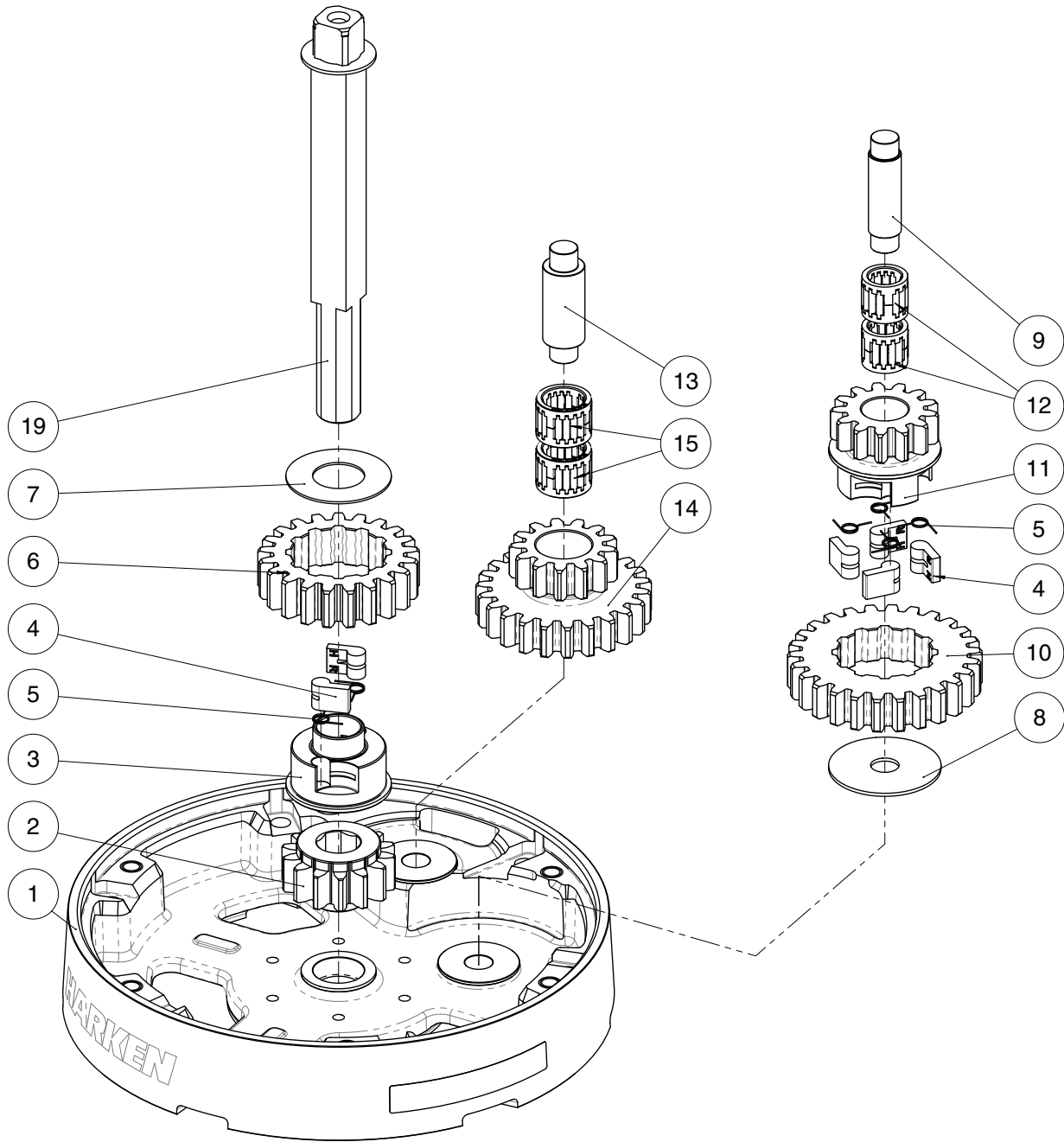
### Headquarters

#### **Harken®, Inc.**

1251 East Wisconsin Avenue  
Pewaukee, Wisconsin 53072-3755 USA  
Tel: (262) 691.3320  
Fax: (262) 691.3008  
Email: [harken@harken.com](mailto:harken@harken.com)  
Web: [www.harken.com](http://www.harken.com)

- **Tech Service**  
Email: [technicalservice@harken.com](mailto:technicalservice@harken.com)
- **Customer Service**  
Tel: (262) 691-3320  
Email: [customerservice@harken.com](mailto:customerservice@harken.com)





## Performa Winch 60.2 STP

Pos	Q.ty	Code	Description	Pos	Q.ty	Code	Description	
1	1	A96556000	Performa Assy Base W60	18	3	A74145000	Roller Bearing Ø95xØ107x26	
	1	S476030004	W60 Performance Base		19	1	A94143800	Assy Shaft Winch 60
	1	S4152300A7	Centering bushing Ø12			1	S413880002	Central shaft W60 ST
	2	S415580085	Bushing Ø22xØ25x9.5					
			Winch Product Sticker**	20			Winch Serial Number Sticker	
2	1	S414400004	Gear Z14 W60	21	1	S4144300A0	Stripper Arm Housing W60/70	
3	1	S413030004	Pawls Carrier Ø8xN2	22	1	A96555900	Performa Assy Jaws W60	
4	6	S000090004	Racing pawl Ø8*				Lower Jaw W60	
5	6	S000380001	Pawl Spring Ø8*				Upper Jaw W60	
6	1	S414390041	Ratchet Gear Z21xN2	1	S414850080		Peeler W60 - 70	
7	1	S413120002	Washer Ø22.5xØ45x1	4	S683520001		Spring d7 - d1 - L=30 mm	
8	1	S278170002	Washer Ø12.5xØ48x1.5	23	1	A96537500	Spare kit drum Winch 60 Performa	
9	1	S281010004	Pin for gear		47	M0610280		Performa Drum Assembly W60
10	1	S414420041	Ratchet Gear Z26xN4				Ball 5/16"	
11	1	S414410004	Pawls Carrier Gear Z13 N4	24	4	M0601803	Screw UNI EN ISO 1207 - M6x35 - A4	
12	2	A72821800	Roller Bearing Ø14xØ20x18	25	1	S657410019	Performa Black Stripper Arm W60	
13	1	S416030004	Gear Pin Ø12xØ18x52,5	26	3	M0601903	Screw M6x16 UNI1207	
14	1	S414480004	Idler and Pinion Z23/Z13 W60	27	1	S4162200B1	Cover 2 Speed W60	
15	2	A74162300	Roller bearing Ø24xØ18x18	28	1	A94136400	Assembly Socket W20-80	
16	1	A94143100	Assy Housing Winch 60.2					Socket Handle W20/80
			Housing W60	1	S415130085		Washer Ø7.7xØ25x5.8	
	2	S415580085	Support Bushing W60	1	M0614303		Screw M8x20 UNI 6109	
	1	S4130900A7	Bushing Ø12xØ35x9					
	1	S4130900A7	Bushing Ø22xØ25x8.5					
17	6	M0606303	Screw M8x25 UNI 5931					

\*Available with service kit; see website [www.harken.com](http://www.harken.com)

\*\*Winch product sticker

