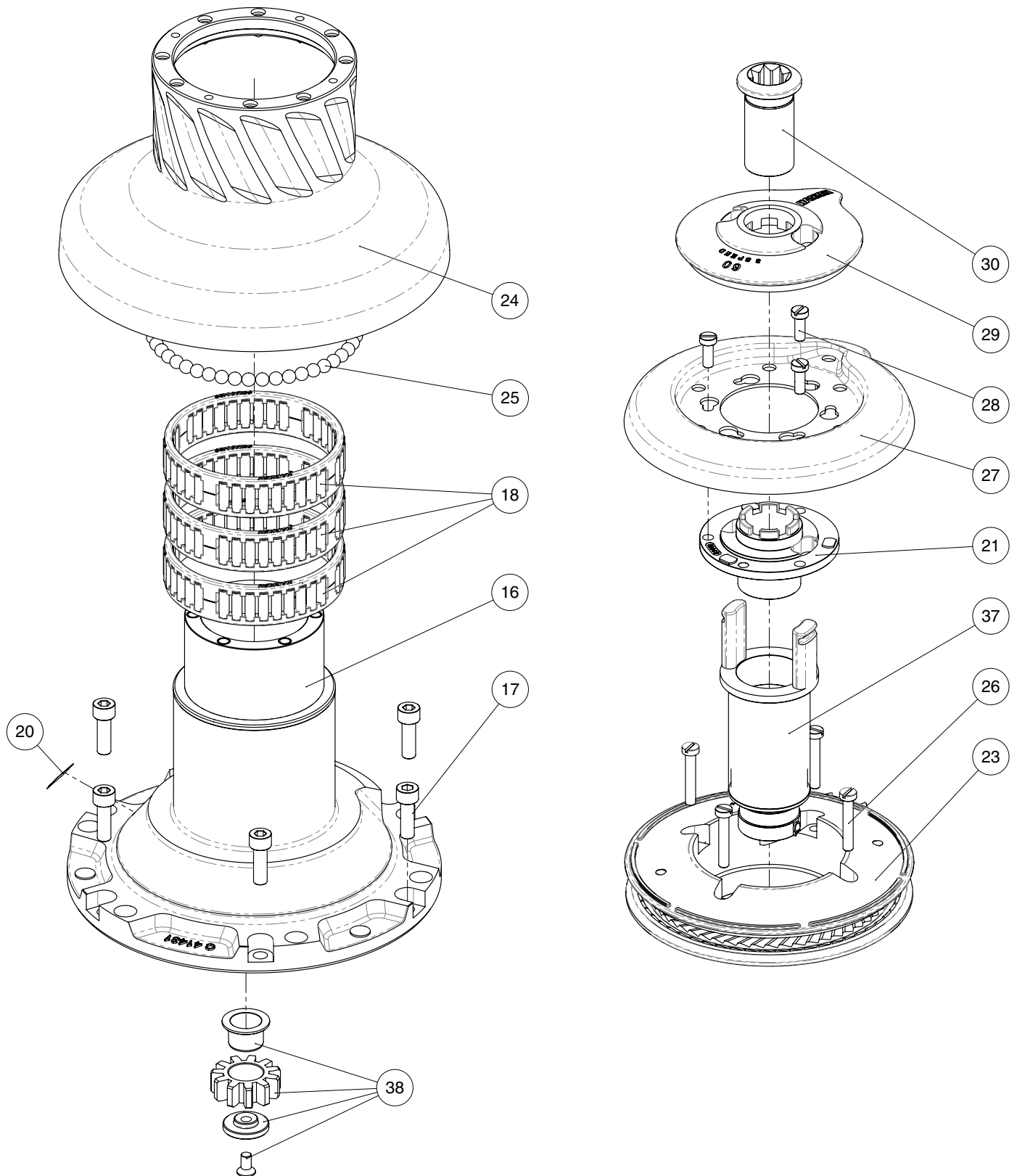
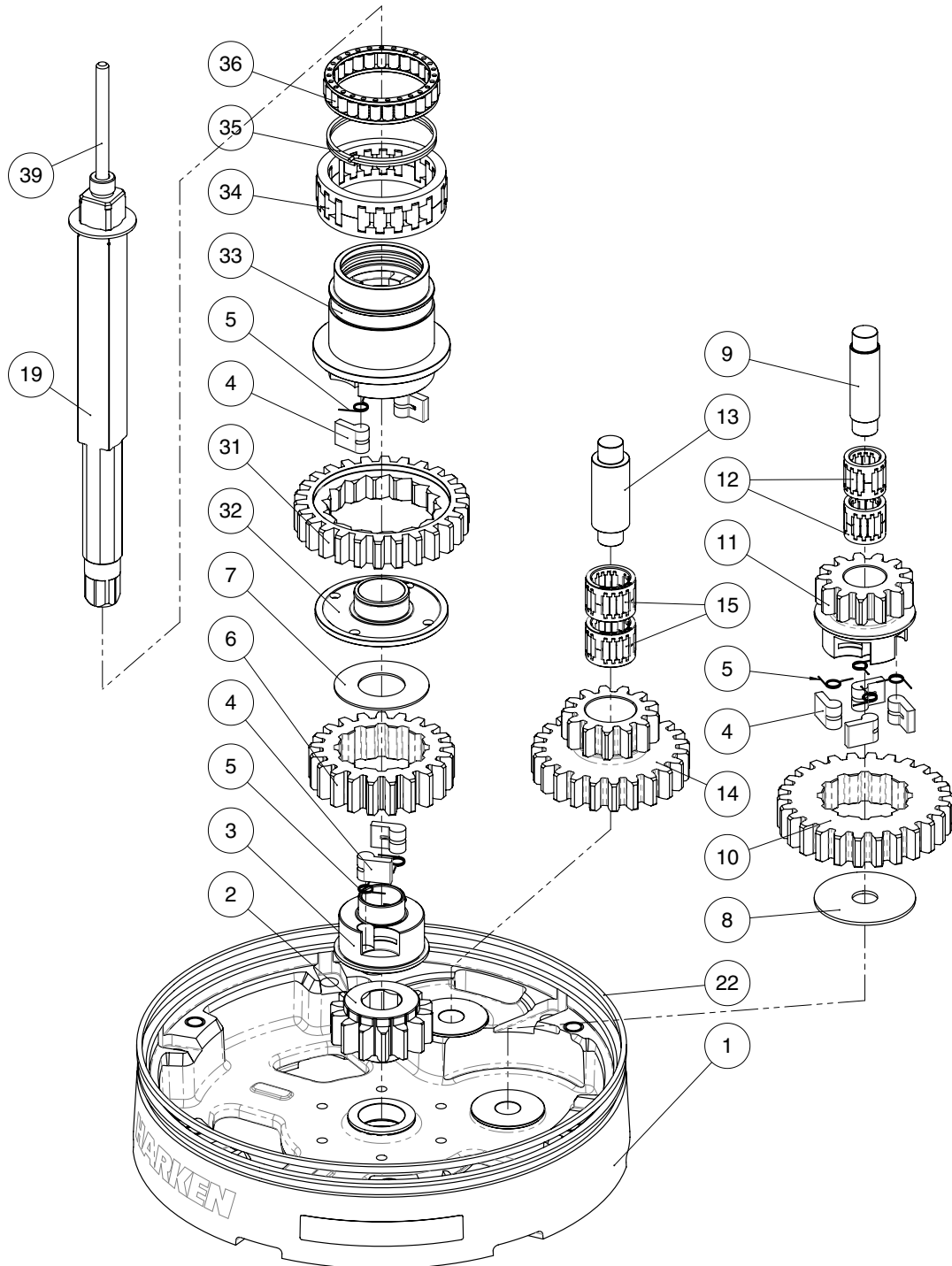


Exploded view

Radial Winch 60.3 STA, STC, STCW



Radial Winch 60.3 STA, STC, STCW



Parts List

Radial Winch 60.3 STA

A = drum in anodised aluminium

| Pos. | Q.ty | Code | Description | Pos. | Q.ty | Code | Description |
|------|------|------------|---|------|------|------------|---|
| 1 | 1 | A94189900 | Assy Base W60 EL/HY <i>Base W60 Heli-coil M8x10</i> | 22 | 1 | S281700097 | Red line |
| | 1 | S476030004 | <i>Centering bushing Ø12</i> | 23 | 1 | A94143500 | Assy Jaws Winch 60 <i>Lower Jaw W60 Upper Jaw W60</i> |
| | 1 | S4130900A7 | <i>Bushing Ø22xØ25x8.5</i> | | 1 | S414850080 | <i>Peeler W60 - 70</i> |
| | 2 | S415580085 | <i>Bushing Ø12xØ35x9</i> | | 4 | S385970001 | <i>SPRING</i> |
| | | | <i>Winch Product Sticker**</i> | 24 | 1 | A74143300 | Drum Assembly W60 |
| 2 | 1 | S414400004 | Gear Z14 W60 | 25 | 47 | M0610280 | Ball 5/16" |
| 3 | 1 | S413030004 | Pawls Carrier Ø8xN2 | 26 | 4 | M0601803 | Screw UNI EN ISO 1207:1996 - M6x35 - A4 |
| 4 | 8 | S000080003 | Pawl Ø8* | 27 | 1 | S414460019 | Stripper arm Winch 60 |
| 5 | 8 | S000380001 | Pawl Spring Ø8* | 28 | 3 | M0601903 | Screw M6x16 UNI1207 |
| 6 | 1 | S414390041 | Ratchet Gear Z21xN2 | 29 | 1 | S4167500B1 | Cover 3 Speed W60 |
| 7 | 1 | S413120002 | Washer Ø22.5xØ45x1 | 30 | 1 | A94191400 | Assy Socket Handle Winch 3speed EL/HY <i>Socket Handle 3 speed</i> |
| 8 | 1 | S278170002 | Washer Ø12.5xØ48x1.5 | | 1 | S414940085 | <i>Washer Ø25xØ15x4</i> |
| 9 | 1 | S281010004 | Pin for gear | | 1 | S414930003 | <i>Nut Screw for Disconnect Rod</i> |
| 10 | 1 | S414420041 | Ratchet Gear Z26xN4 | | 1 | M0679797 | <i>O ring RC 2025 series</i> |
| 11 | 1 | S414410004 | Pawls Carrier Gear Z13 N4 | 31 | 1 | S280870041 | Gear 1V |
| 12 | 2 | A72821800 | Roller Bearing Ø14xØ20x18 | 32 | 1 | S414580081 | Shim Bushing 3 speed |
| 13 | 1 | S416030004 | Gear Pin Ø12xØ18x52,5 | 33 | 1 | S415400004 | Pawls Carrier 3 speed |
| 14 | 1 | S414480004 | Idler and Pinion Z23/Z13 W60 | 34 | 1 | A73129200 | ROLLER BEARING 50-62-20 ERTA P |
| 15 | 2 | A74162300 | Roll bearing Ø24xØ18x18 | 35 | 1 | S377510001 | Clutch Spring |
| 16 | 1 | A94190800 | Assy Housing Winch 60.3 <i>Housing W60 Heli-coil M6x9</i> | 36 | 1 | A73422600 | Bearing Ø45xØ55x12 |
| | 2 | S415580085 | <i>Bushing Ø12xØ35x9</i> | 37 | 1 | A94158000 | Assy Clutch 3rd speed W60 <i>Assy Command tube W60</i> |
| | 1 | S415810081 | <i>Bushing</i> | | 1 | S415420004 | <i>Dog Clutch 3 speed</i> |
| 17 | 6 | M0606303 | Screw M8x25 UNI 5931 | | 2 | M6009463 | <i>Spring loaded ball plunger Ø6</i> |
| 18 | 3 | A74145000 | Roller Bearing Ø95xØ107x26 | 38 | 1 | A94145300 | Assy Gear 3rd speed <i>Idler Gear 3 speed</i> |
| 19 | 1 | A96753600 | Assy Central Shaft Winch 60 EL/HY <i>Central Shaft Pred. W60</i> | | 1 | S414530004 | <i>Bushing Ø22/Ø25x15.5</i> |
| | 1 | S413880002 | <i>Washer Ø17.2xØ32x1.5</i> | | 1 | S414550081 | <i>Washer 3 speed</i> |
| 20 | | | Winch Serial Number Sticker | | 1 | S414540080 | <i>Screw M6x12 UNI 5933</i> |
| 21 | 1 | S4155700A0 | Stripper arm support | 39 | 1 | S419020002 | Disconnect rod W60.3 |

*Available with service kit; see website www.harken.com

**Winch product sticker



Hydraulic motor

| Pos. | Q.ty | Code | Description | Pos. | Q.ty | Code | Description |
|------|------|-------------|----------------------------------|------|------|------------|---|
| 1 | 1 | G045942000Y | Hydraulic motor W46-60 | 4 | 1 | A94149100 | KIT HY Motor Flange W46-70 |
| 2 | 1 | S415000080 | Hydraulic Motor Spacer | | | | <i>Hydraulic Motorgear Flange</i> |
| 3 | 1 | A94193200 | KIT Clutch HY Motor W46-70 | 6 | | S415360003 | <i>Screw M6x16 UNI EN ISO 5931:2003 precote coating</i> |
| | | | <i>Toothed coupling</i> | 6 | | M6015697 | <i>O-Ring Seal ORM 0055-10 (Ø5,5 x Ø1)</i> |
| | 1 | M0620401 | <i>Connecting Coupling Ø31.5</i> | 1 | | M6007297 | <i>Lip seal Ø17xØ30x7</i> |
| | 1 | S415010080 | <i>Spring pin 5x40 DIN1481</i> | 2 | | M0621503 | <i>Washer D.13 U1751 DIN127</i> |
| | 1 | S326490001 | <i>Bushing</i> | 2 | | M0667103 | <i>Screw M12x35 UNI5931</i> |
| | 1 | S329360082 | <i>Spring</i> | | | | |
| | 1 | M0635303 | <i>Washer</i> | | | | |
| | 1 | | <i>Screw M8x16 UNI6109</i> | | | | |

