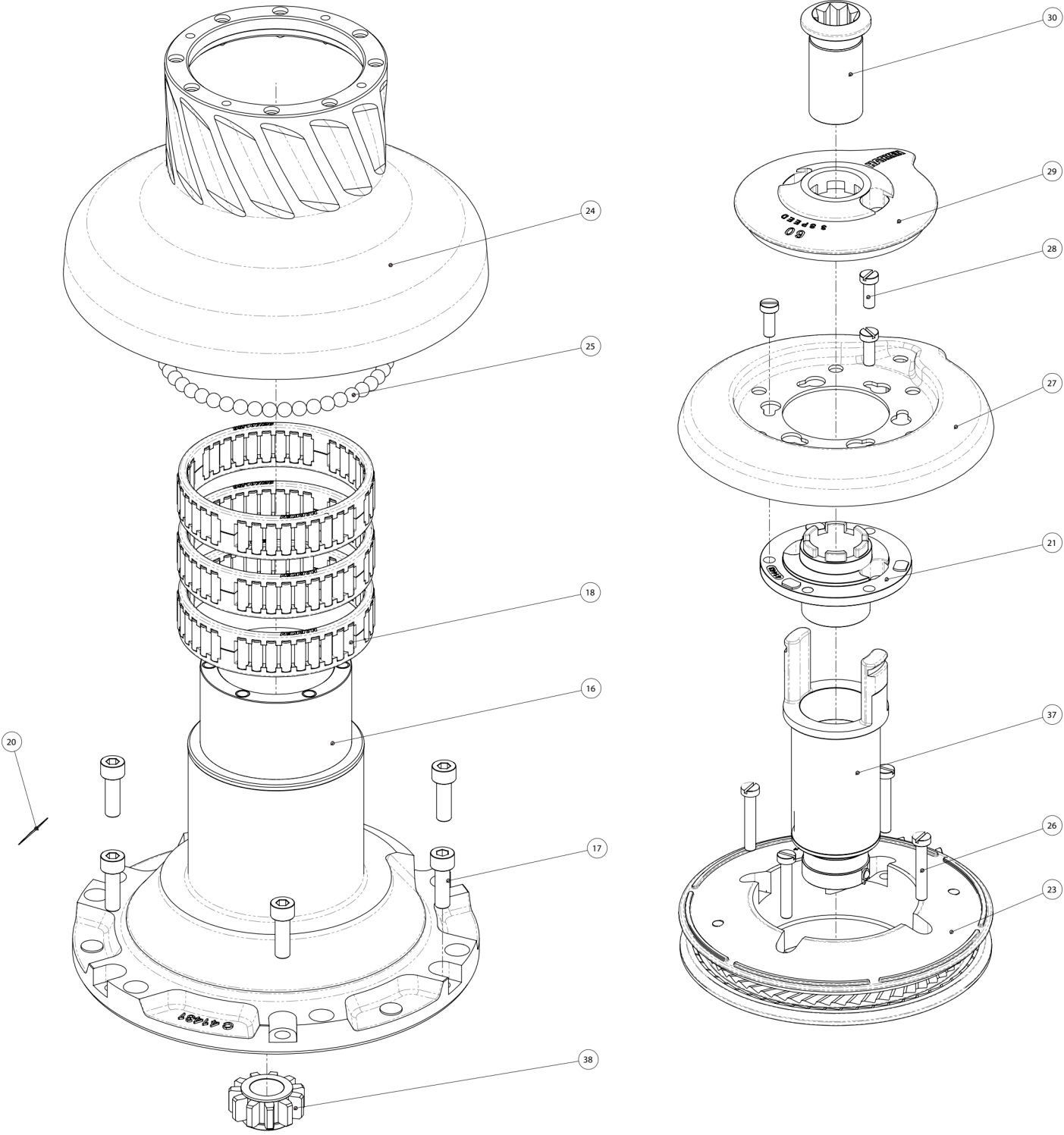
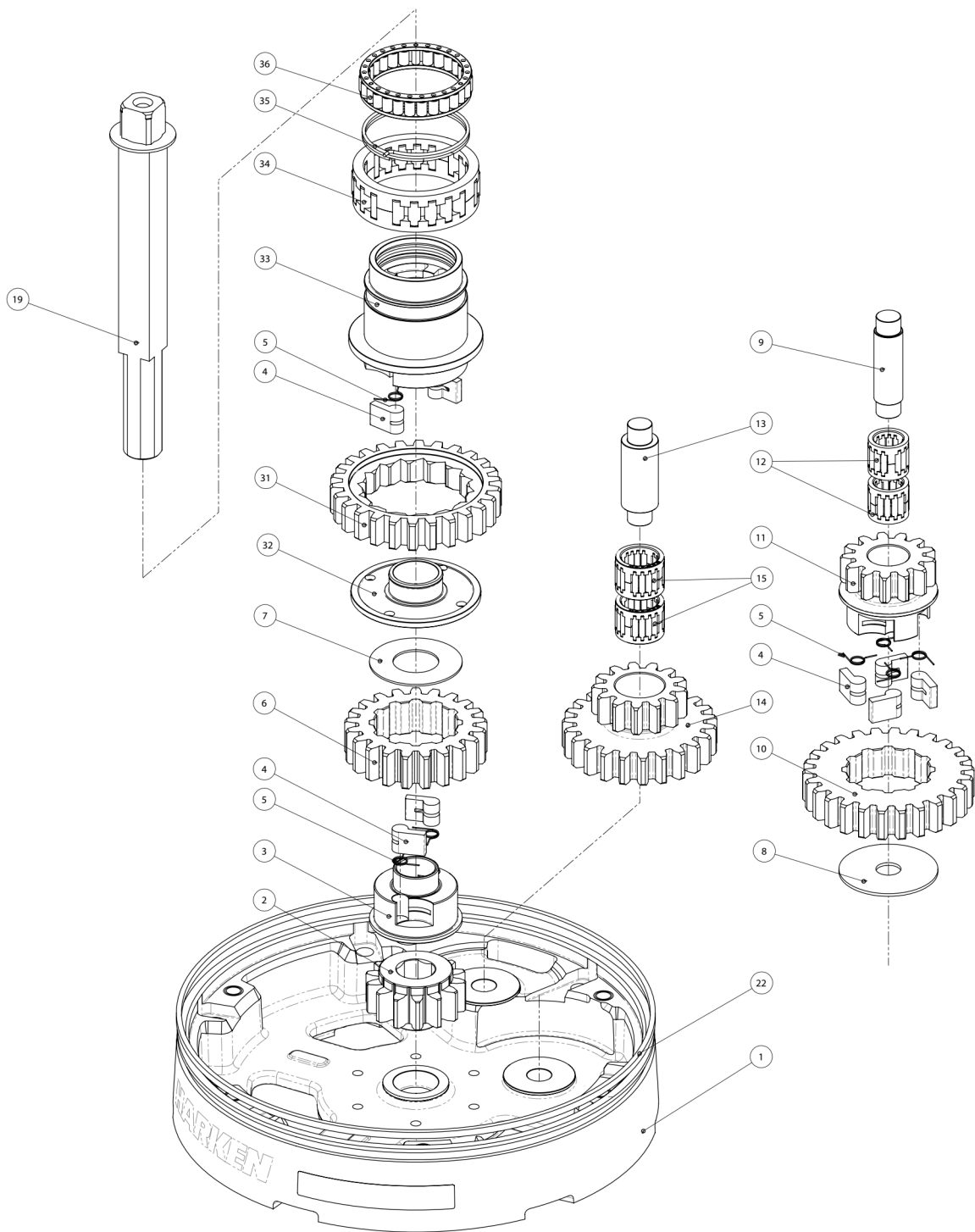


**Exploded view**





**Parts List**

Radial Winch 60.3 STA

A= drum in anodised aluminium

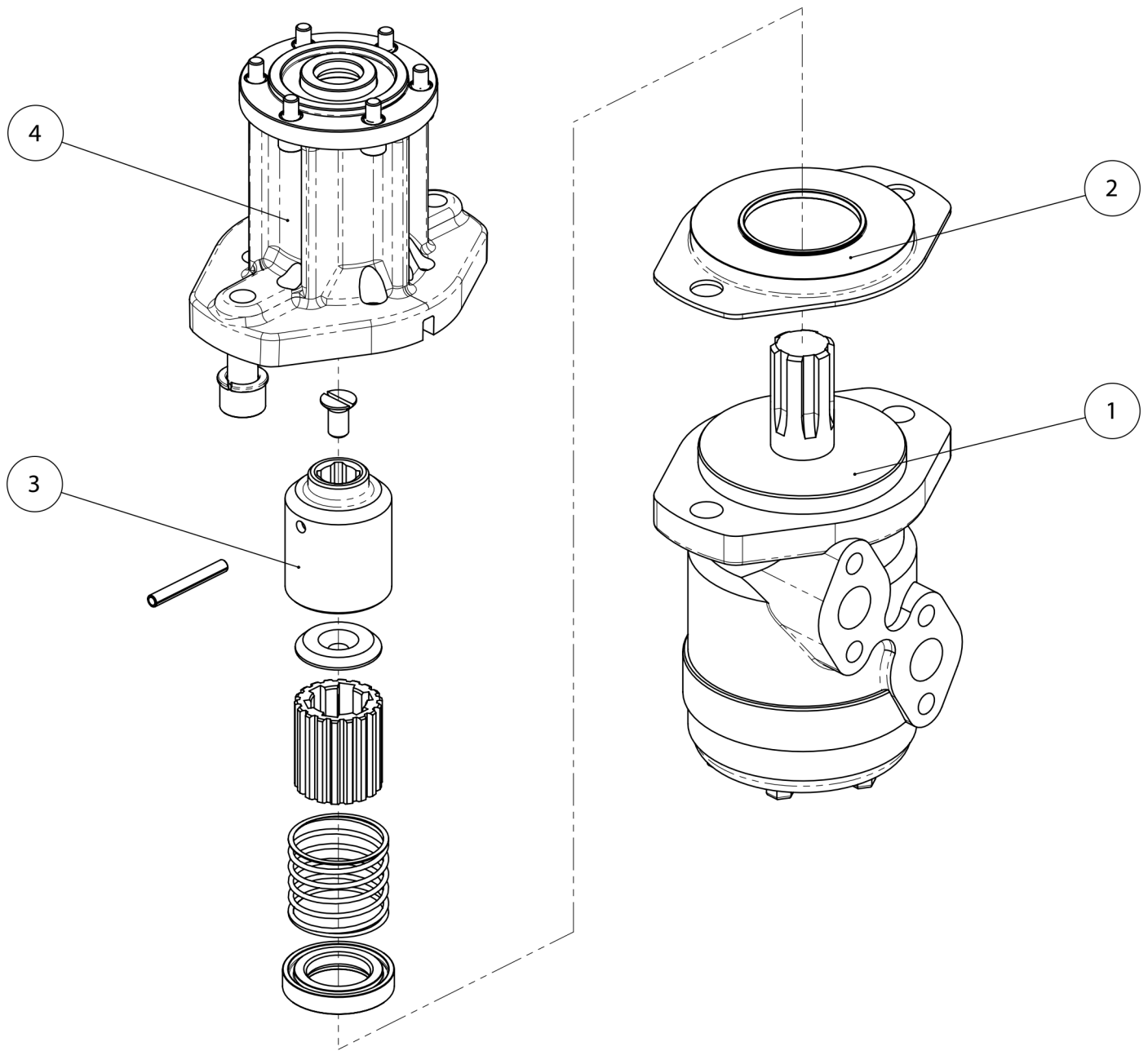
Pos.	Q.ty	Code	Description	Pos.	Q.ty	Code	Description
1	1	A 941430 00	Assy Base Winch 60 Base W60 Heli-coil M8x10 Centering bushing Ø12 Bushing Ø22xØ25x9.5* Bushing Ø12xØ35x9* Winch Product Sticker**	22	1	S 28170 00 97	Red line*
2	1	S 41440 00 04	Gear Z14 W60	23	1	A 941435 00	Assy Jaws Winch 60 Lower Jaw W60 Upper Jaw W60 Peeler W60 - 70 Spring
3	1	S 41303 00 04	Pawls Carrier Ø8xN2	24	1	A 741433 00	Drum Assembly W60
4	8	S 00008 00 03	Pawl Ø8*	25	47	M 06102 80	Ball 5/16" *
5	8	S 00038 00 01	Pawl Spring Ø8*	26	4	M0601803	Srew UNI EN ISO 1207:1996 - M6x35 - A4
6	1	S 41439 00 41	Rachet Gear Z21xN2	27	1	S 41446 00 19	Stripper arm Winch 60
7	1	S 41312 00 02	Washer Ø22.5xØ45x1*	28	3	M0601903	Screw M6x16 UNI1207*
8	1	S278170002	Washer 12.5x48x1.5*	29	1	S 41675 00 B1	Cover 3 Speed W60
9	1	S 28101 00 04	Pin for gear	30	1	A 941547 00	Assy Socket 3speed Socket Handle 3 speed Washer Ø7.7xØ25x5.8 Screw M8x20 UNI 6109*
10	1	S 41442 00 41	Rachet Gear Z26xN4	31	1	S280870041	Gear 1V
11	1	S 41441 00 04	Pawls Carrier Gear Z13 N4	32	1	S 41458 00 81	Shim Bushing 3 speed*
12	2	A72821800	Roller Bearing 14/20/18	33	1	S 41540 00 04	Pawls Carrier 3 speed
13	1	S 41603 00 04	Gear Pin Ø12xØ18x52,5	34	1	A73129200	Roller Bearing 50-62-20 ERTA P*
14	1	S 41448 00 04	Idler and Pinion Z23/Z13 W60	35	1	S 37751 00 01	Clutch Spring
15	2	A 741623 00	Roll bearing 24x18x18	36	1	A73422600	Bearing 45x55x12*
16	1	A 941908 00	Assy Housing Winch 60.3 Housing W60 Bushing Ø12xØ35x9* Heli-coil M6x9 Bushing	37	1	A 941580 00	Assy Clutch 3rd speed W60 Assy Command tube W60 Dog Clutch 3 speed Spring loaded ball plunger Ø6
17	6	M0606303	Screw M8x25 UNI 5931	38	1	A 941453 00	Assy Gear 3rd speed Idler Gear 3 speed Bushing Ø22/Ø25x15.5 Washer 3 speed Screw M6x12 UNI 5933
18	3	A 741450 00	Roller Bearing Ø95xØ107x26*				
19	1	A 941438 00	Assy Shaft Winch 60 Central shaft W60 ST Washer Ø17.2xØ32x1.5				
20	1	S 41876 00 63	Winch Serial Number Sticker				
21	1	S 41557 00 A0	Stripper arm support				

\*Service kit available; see winch kit section on the website [www.harken.com](http://www.harken.com)

\*\*Winch product sticker



Hydraulic motor



Pos.	Q.ty	Code	Description
1	1	G45942000Y	Hydraulic motor "OMR50 151-0420 alb.scan. 1"
2	1	S 41500 00 80	Hydraulic Motor Spacer
3	1	A 941932 00	KIT Clutch HY Motor (OMR50)
4	1	A 941491 00	KIT HY Motor Flange (OMR50)