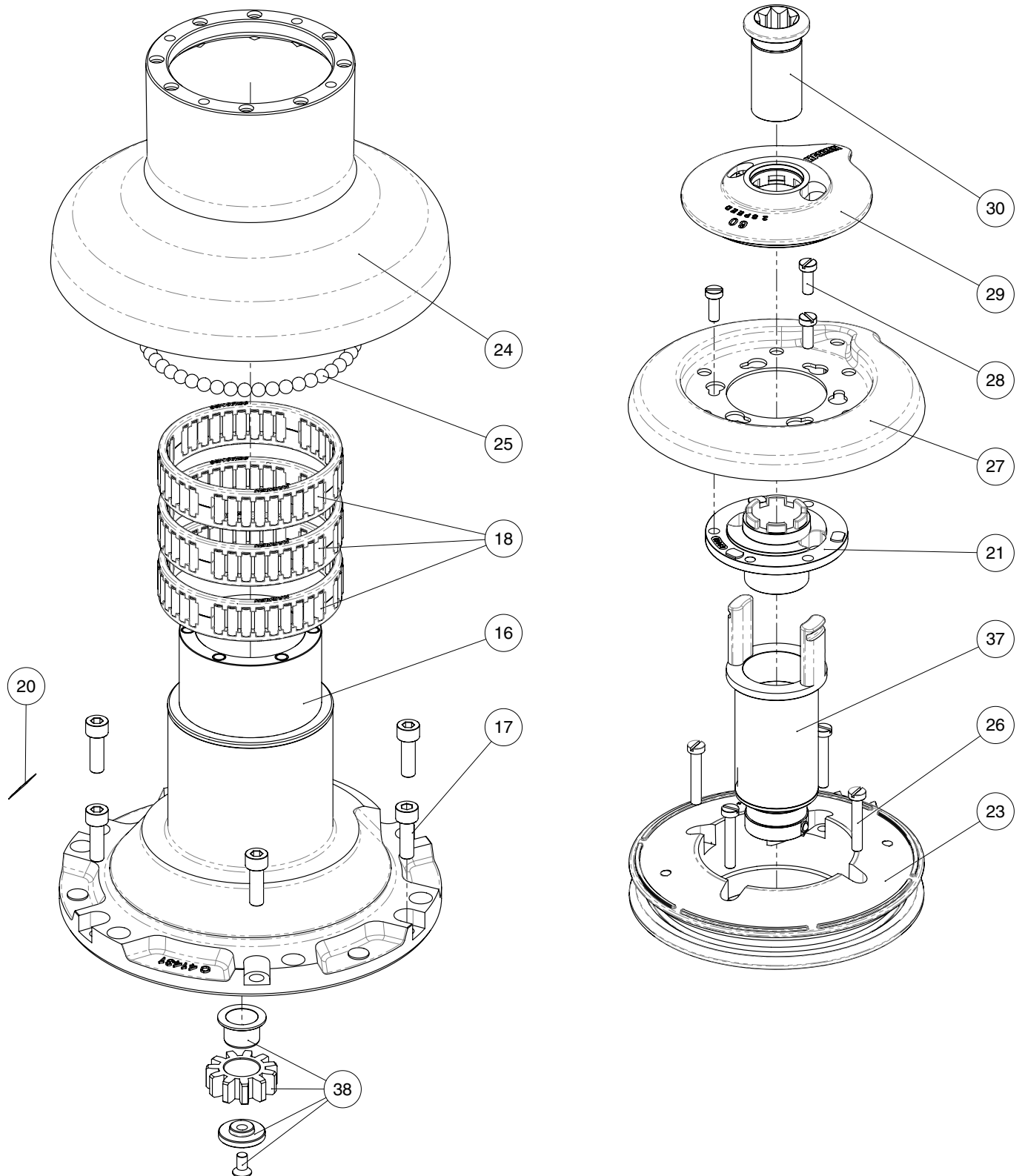
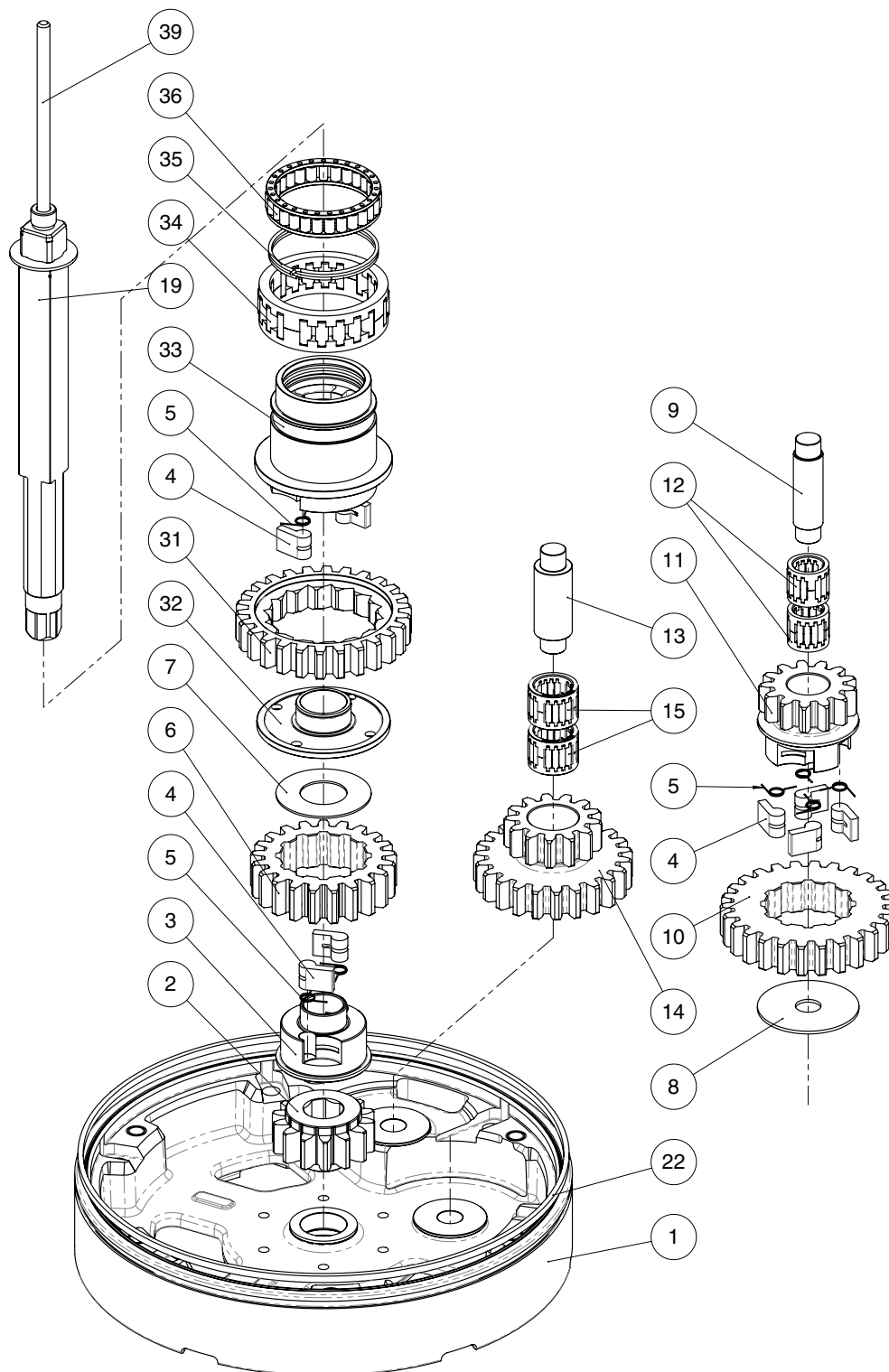


Radial Winch 60.3 STBBB, STCCC

Radial Winch 60.3 STBBB, STCCC

Radial Winch 60.3 STBBB

BBB = all bronze

Pos.	Q.ty	Code	Description	Pos.	Q.ty	Code	Description				
1	1	A96978700	Assy base Winch 60 STBBB <i>Base W60</i> <i>Heli-coil M8x10</i>	22	1	S281700097	Red line				
	1	S690870043	<i>Cover for base W60 BBB</i>	23	1	A96924100	Assy Jaws Winch 60 BBB <i>Lower Jaw W60 BBB</i> <i>Upper Jaw W60</i>				
	1	S476030004	<i>Centering bushing Ø12</i>					1	4	S414850080 S385970001	<i>Peeler W60 - 70</i> <i>SPRING</i>
	1	S4130900A7	<i>Bushing Ø22xØ25x8.5</i>								
	2	S415580085	<i>Bushing Ø12xØ35x9</i> <i>Winch Product Sticker**</i>								
2	1	S414400004	Gear Z14 W60	24	1	A76923900	Drum Assembly W60 BBB				
3	1	S413030004	Pawls Carrier Ø8xN2	25	47	M0610280	Ball 5/16"				
4	8	S000080003	Pawl Ø8*	26	4	M0601803	Screw UNI EN ISO 1207:1996 - M6x35 - A4				
5	8	S000380001	Pawl Spring Ø8*	27	1	S692400047	Stripper arm Winch 60 BBB				
6	1	S414390041	Ratchet Gear Z21xN2	28	3	M0601903	Screw M6x16 UNI1207				
7	1	S413120002	Washer Ø22.5xØ45x1	29	1	A76907400	Cover W60 BBB				
8	1	S278170002	Washer Ø12.5xØ48x1.5	30	1	A94191400	Assy Socket Handle Winch 3speed EL/HY <i>Socket handle 3 speed</i>				
9	1	S281010004	Pin for gear	1	1	S414940085 S414930003 M0679797	<i>Washer Ø25xØ15x4</i> <i>Nut Screw for Disconnect Rod</i> <i>O ring RC 2025 series</i>				
10	1	S414420041	Ratchet Gear Z26xN4								
11	1	S414410004	Pawls Carrier Gear Z13 N4								
12	2	A72821800	Roller Bearing Ø14xØ20x18	31	1	S280870041	Gear 1V				
13	1	S416030004	Gear Pin Ø12xØ18x52,5	32	1	S414580081	Shim Bushing 3 speed				
14	1	S414480004	Idler and Pinion Z23/Z13 W60	33	1	S415400004	Pawls Carrier 3 speed				
15	2	A74162300	Roll bearing Ø24xØ18x18	34	1	A73129200	ROLLER BEARING 50-62-20 ERTA P				
16	1	A94190800	Assy Housing Winch 60.3 <i>Housing W60</i> <i>Heli-coil M6x9</i>	35	1	S377510001	Clutch Spring				
	2	S415580085	<i>Bushing Ø12xØ35x9</i>	36	1	A73422600	Bearing Ø45xØ55x12				
	1	S415810081	<i>Bushing</i>	37	1	A94158000 S415420004 M6009463	Assy Clutch 3rd speed W60 <i>Assy Command tube W60</i> <i>Dog Clutch 3 speed</i> <i>Spring loaded ball plunger Ø6</i>				
17	6	M0606303	Screw M8x25 UNI 5931								
18	3	A74145000	Roller Bearing Ø95xØ107x26								
19	1	A96753600	Assy Central Shaft Winch 60 EL/HY <i>Central Shaft Pred. W60</i>	38	1	A94145300 S414530004 S414550081 S414540080 M0604003	Assy Gear 3rd speed <i>Idler Gear 3 speed</i> <i>Bushing Ø22/Ø25x15.5</i> <i>Washer 3 Speed</i> <i>Screw M6x12 UNI 5933</i>				
	1	S413880002	<i>Washer Ø17.2xØ32x1.5</i>								
20			Winch Serial Number Sticker								
21	1	S4155700A0	Stripper arm support					39	1	S419020002	Disconnect rod W60.3

*Available with service kit; see website www.harken.com

**Winch product sticker



Hydraulic motor

Pos.	Q.ty	Code	Description	Pos.	Q.ty	Code	Description
1	1	G045942000Y	Hydraulic motor W46-60	4	1	A94149100	KIT HY Motor Flange W46-70
2	1	S415000080	Hydraulic Motor Spacer	6	1	S415360003	Hydraulic Motorgear Flange Screw M6x16 UNI EN ISO 5931:2003 precote coating
3	1	A94193200	KIT Clutch HY Motor W46-70	6	1	M6015697	O-Ring Seal ORM 0055-10 (Ø5,5 x Ø1)
			Toothed coupling	6	1	M6007297	Lip seal Ø17xØ30x7
	1	M0620401	Connecting Coupling Ø31.5	1	1	M0621503	Washer D.13 U1751 DIN127
	1	S415010080	Spring pin 5x40 DIN1481	2	1	M0667103	Screw M12x35 UNI5931
	1	S326490001	Bushing				
	1	S329360082	Spring				
	1	M0635303	Washer				
	1		Screw M8x16 UNI6109				

