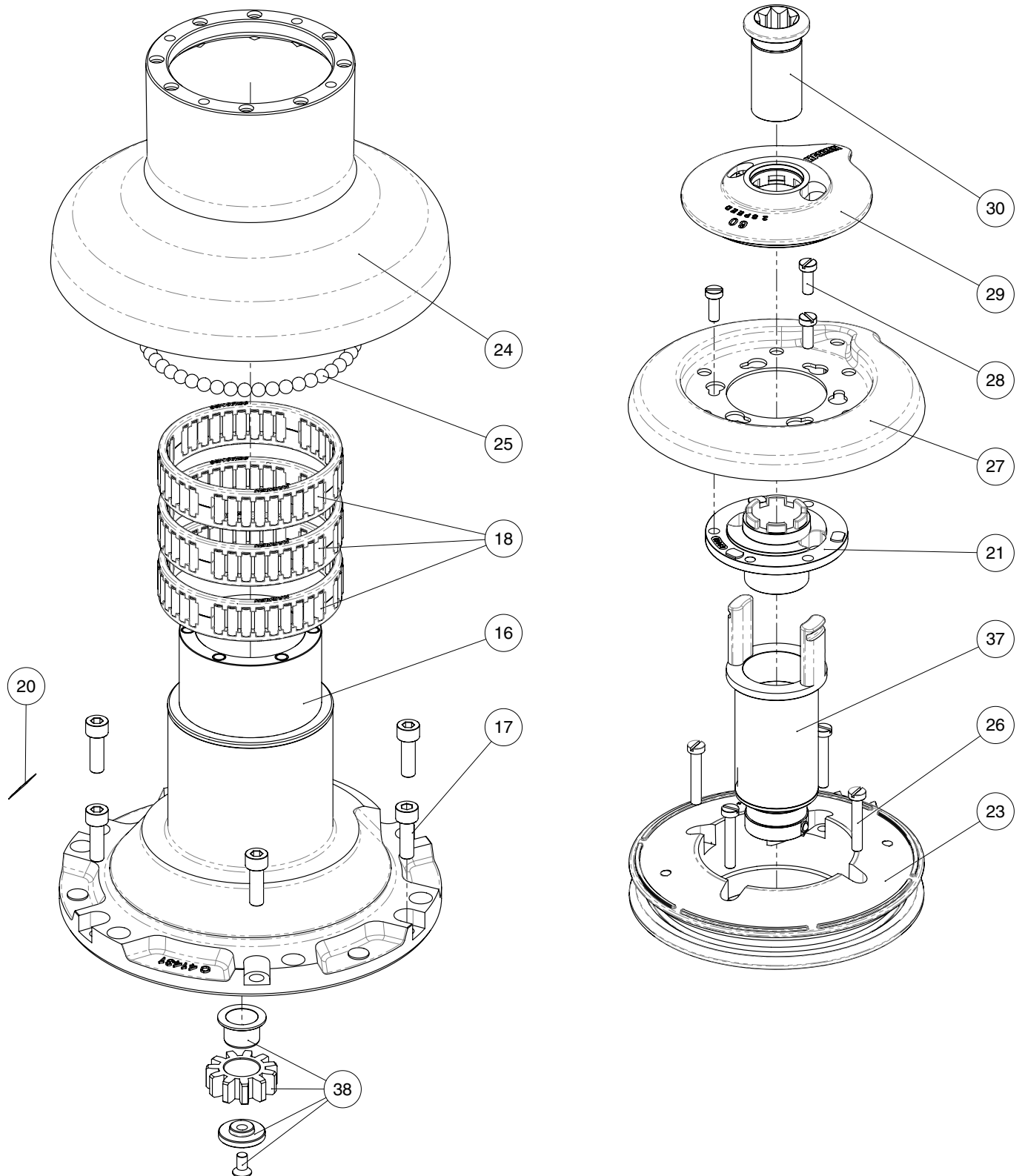
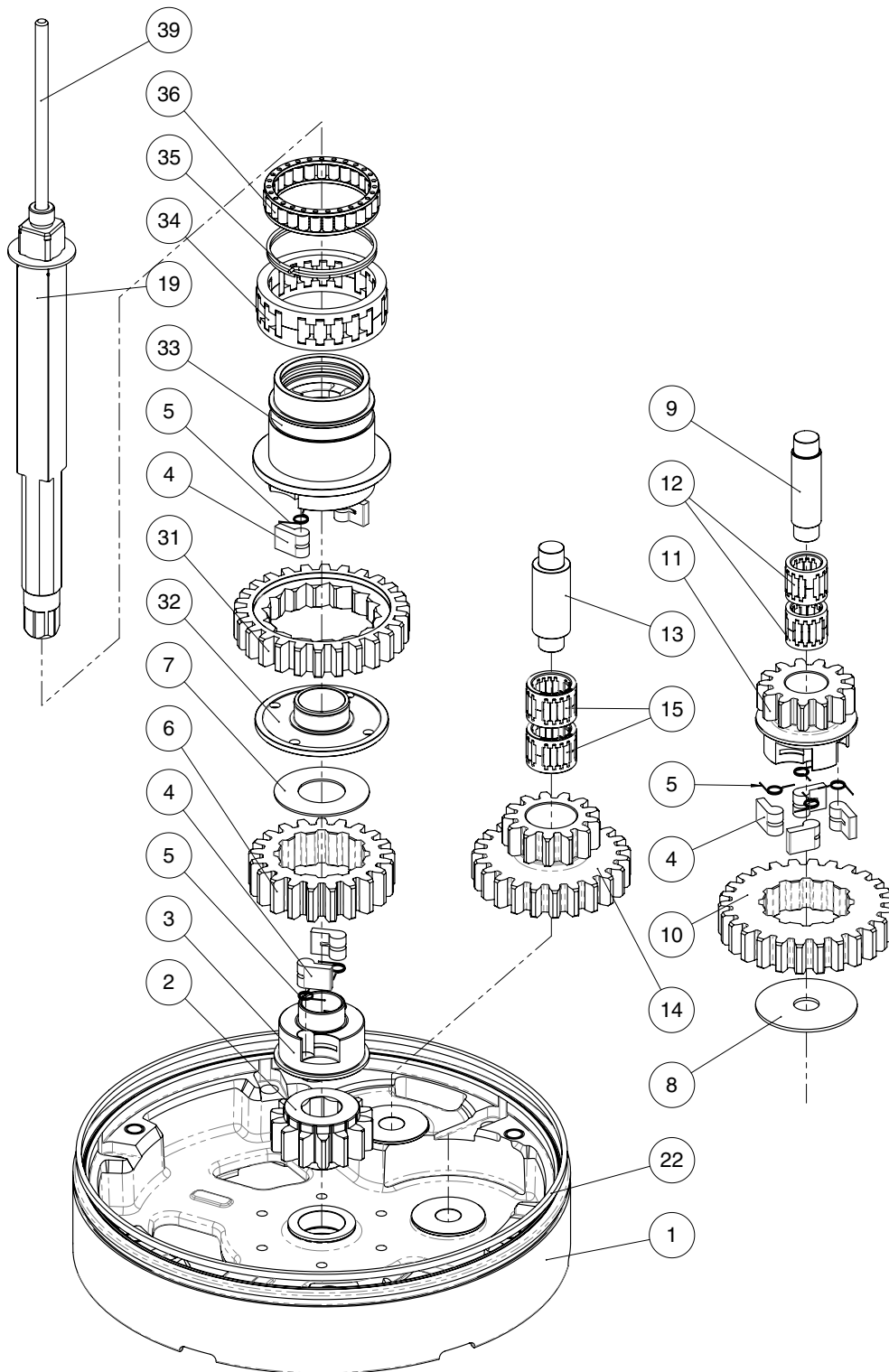


Radial Winch 60.3 STBBB, STCCC

Radial Winch 60.3 STBBB, STCCC



Radial Winch 60.3 STCCC

CCC = All-Chrome bronze

Pos.	Q.ty	Code	Description	Pos.	Q.ty	Code	Description
1	1	A96978800	Assy base Winch 60 STCCC <i>Base W60 Heli-coil M8x10</i>	22	1	S281700097	Red line
	1	S690910043	<i>Cover for base W60 CCC</i>	23	1	A96812200	Assy Jaws Winch 60 CCC <i>Lower Jaw W60 CCC Upper Jaw W60 RAL9003</i>
	1	S476030004	<i>Centering bushing Ø12</i>		1	S414850080W	<i>Peeler W60 - 70 RAL9003</i>
	1	S4130900A7	<i>Bushing Ø22xØ25x8.5</i>		4	S385970001	<i>SPRING</i>
	2	S415580085	<i>Bushing Ø12xØ35x9 Winch Product Sticker**</i>	24	1	A74143400	Drum Assembly W60 C
2	1	S414400004	Gear Z14 W60	25	47	M0610280	Ball 5/16"
3	1	S413030004	Pawls Carrier Ø8xN2	26	4	M0601803	Screw UNI EN ISO 1207:1996 - M6x35 - A4
4	8	S000080003	Pawl Ø8*	27	1	S414460019	Stripper arm Winch 60
5	8	S000380001	Pawl Spring Ø8*	28	3	M0601903	Screw M6x16 UNI1207
6	1	S414390041	Ratchet Gear Z21xN2	29	1	A76907200	Cover W60.3 CCC
7	1	S413120002	Washer Ø22.5xØ45x1	30	1	A94154700	Assy Socket 3speed <i>Socket Handle 3 speed Washer Ø25xØ15x4</i>
8	1	S278170002	Washer Ø12.5xØ48x1.5		1	S414940085	<i>Washer Ø25xØ15x4</i>
9	1	S281010004	Pin for gear		1	S414930003	<i>Nut Screw for Disconnect Rod</i>
10	1	S414420041	Ratchet Gear Z26xN4		1	M0679797	<i>O ring RC 2025 series</i>
11	1	S414410004	Pawls Carrier Gear Z13 N4	31	1	S280870041	Gear 1V
12	2	A72821800	Roller Bearing Ø14xØ20x18	32	1	S414580081	Shim Bushing 3 speed
13	1	S416030004	Gear Pin Ø12xØ18x52,5	33	1	S415400004	Pawls Carrier 3 speed
14	1	S414480004	Idler and Pinion Z23/Z13 W60	34	1	A73129200	ROLLER BEARING 50-62-20 ERTA P
15	2	A74162300	Roll bearing Ø24xØ18x18	35	1	S377510001	Clutch Spring
16	1	A94190800	Assy Housing Winch 60.3 <i>Housing W60 Heli-coil M6x9</i>	36	1	A73422600	Bearing Ø45xØ55x12
	2	S415580085	<i>Bushing Ø12xØ35x9</i>	37	1	A94158000	Assy Clutch 3rd speed W60 <i>Assy Command tube W60</i>
	1	S415810081	<i>Bushing</i>		1	S415420004	<i>Dog Clutch 3 speed</i>
17	6	M0606303	Screw M8x25 UNI 5931		2	M6009463	<i>Spring loaded ball plunger Ø6</i>
18	3	A74145000	Roller Bearing Ø95xØ107x26	38	1	A94145300	Assy Gear 3rd speed <i>Idler Gear 3 speed</i>
19	1	A94161200	Assy Shaft Winch 60 <i>Central Shaft Pred. W60</i>		1	S414530004	<i>Bushing Ø22/Ø25x15.5</i>
	1	S413880002	<i>Washer Ø17.2xØ32x1.5</i>		1	S414550081	<i>Washer 3 speed</i>
20			Winch Serial Number Sticker		1	S414540080	<i>Screw M6x12 UNI 5933</i>
21	1	S4155700A0	Stripper arm Housing	39	1	S419020002	Disconnect rod W60.3

*Available with service kit; see website www.harken.com

**Winch product sticker



Hydraulic motor

Pos.	Q.ty	Code	Description	Pos.	Q.ty	Code	Description
1	1	G045942000Y	Hydraulic motor W46-60	4	1	A94149100	KIT HY Motor Flange W46-70
2	1	S415000080	Hydraulic Motor Spacer	6	1	S415360003	Hydraulic Motorgear Flange Screw M6x16 UNI EN ISO 5931:2003 precote coating
3	1	A94193200	KIT Clutch HY Motor W46-70	6	1	M6015697	O-Ring Seal ORM 0055-10 (Ø5,5 x Ø1)
			Toothed coupling	6	1	M6007297	Lip seal Ø17xØ30x7
	1	M0620401	Connecting Coupling Ø31.5	1	1	M0621503	Washer D.13 U1751 DIN127
	1	S415010080	Spring pin 5x40 DIN1481	2	1	M0667103	Screw M12x35 UNI5931
	1	S326490001	Bushing				
	1	S329360082	Spring				
	1	M0635303	Washer				
	1		Screw M8x16 UNI6109				

