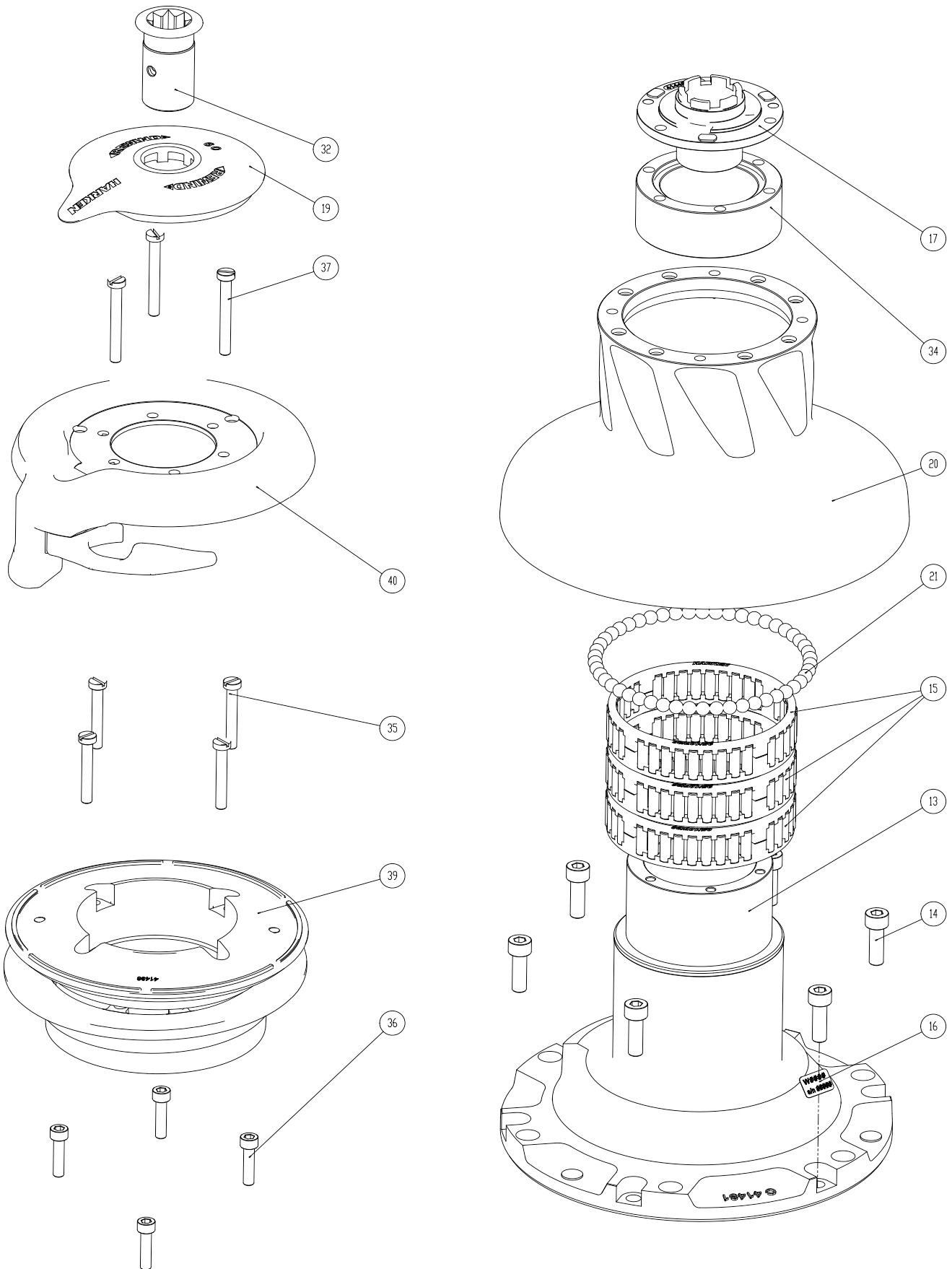
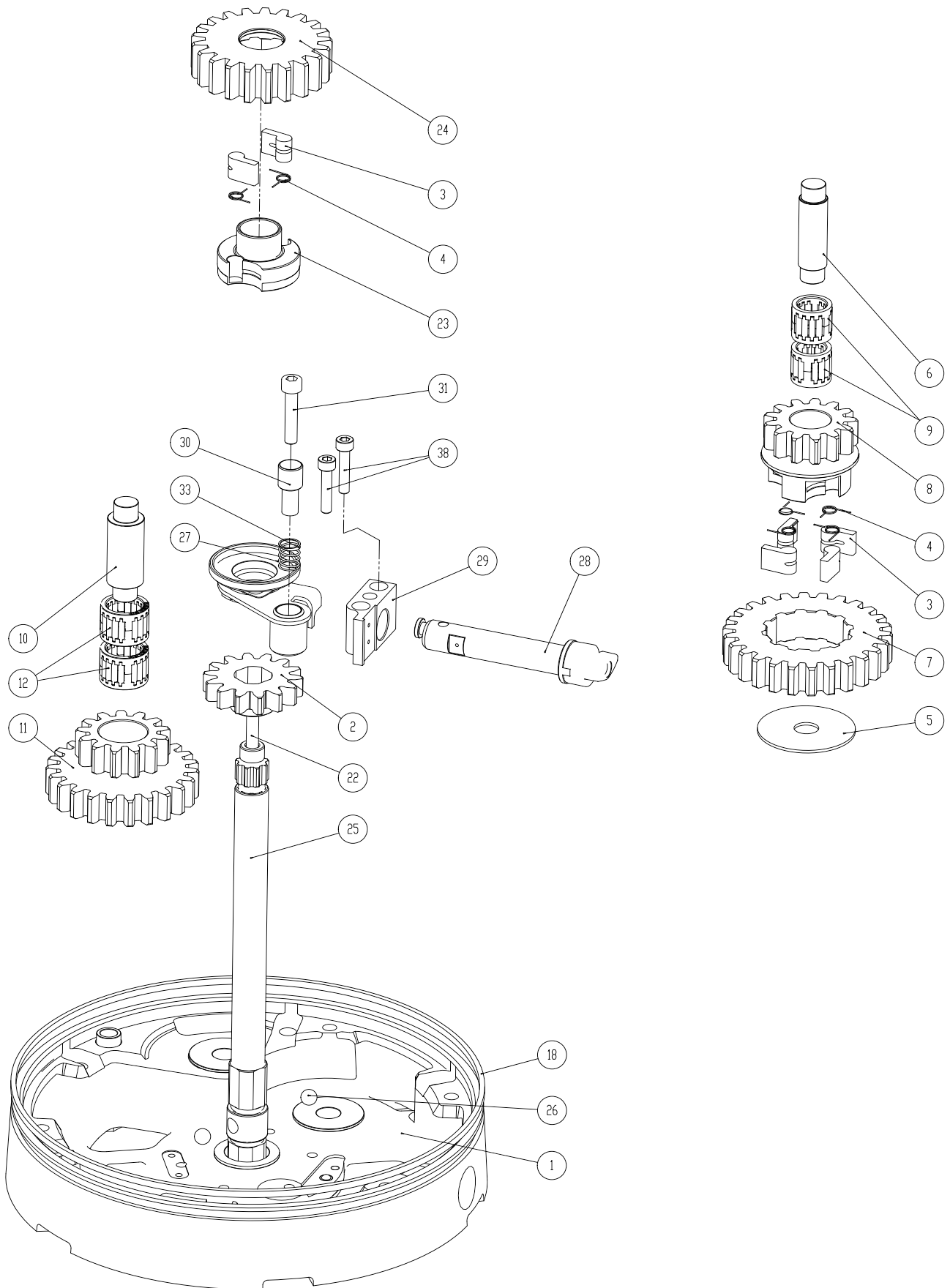


Exploded view

Winch 60 Rewind STA, STC, STCW, STBBB, STCCC EL



Winch 60 Rewind STA, STC, STCW, STBBB, STCCC EL



Parts List

Winch 60 Rewind™ STA EL

A = drum in anodised aluminium

Pos.	Q.ty	Code	Description	Pos.	Q.ty	Code	Description
1	1	A96575800	Assy Base W60 RW <i>Base W60RW</i>	27	1	A96575600	Assembly Fork Winch Rewind 60 <i>Command 60 Rewind</i>
	1	S476030004	<i>Centering bushing Ø12</i>		1	M0630801	<i>Wave spring</i>
	1	S4130900A7	<i>Bushing Ø22xØ25x8.5</i>		1	M0616603	<i>Ring UNI 7435</i>
	2	S415580085	<i>Bushing Ø12xØ35x9</i>		1	S416260041	<i>Disconnect flange</i>
	1	M6009463	<i>Spring loaded ball plunger Ø6</i> <i>Winch Product Sticker**</i>	28	1	A96575700	Assy knob W60 Rewind <i>Knob W60 Rewind</i> <i>Heli-coil M4x8</i>
2	1	S657550004	Gear Z14 W60RW				<i>Pin for knob</i> <i>Bushing Ø6.5xØ4x3</i>
3	6	S000080003	Pawl Ø8*		1	S419190004	
4	6	S000380001	Pawl Spring Ø8*		1	S419200041	
5	1	S278170002	Washer Ø12.5xØ48x1.5	29	1	S657590080	Switch Support W60RW
6	1	S281010004	Pin for gear	30	1	S416530004	Pin for switch
7	1	S414420041	Ratchet Gear Z26xN4	31	1	M0624203	Screw M6x30
8	1	S414410004	Pawls Carrier Gear Z13 N4	32	1	A94165200	Assy socket Rewind <i>Socket Handle</i>
9	2	A72821800	Roller Bearing Ø14xØ20x18		1	S414940085	<i>Washer Ø25xØ15x4</i>
10	1	S416030004	Gear Pin Ø12xØ18x52,5		1	S414930003	<i>Nut Screw for Disconnect Rod</i>
11	1	S414480004	Idler and Pinion Z23/Z13 W60		1	M0679797	<i>O ring RC 2025 series</i>
12	2	A74162300	Roll bearing Ø24xØ18x18	33	1	S418590001	Spring Ø10.67x12.7
13	1	A94143100	Assy Housing Winch 60.2 <i>Housing W60</i>	34	1	S657620052	Spacer for stripper arm support W60 Rew
	2	S415580085	<i>Bushing Ø12xØ35x9</i>	35	4	M0623103	Screw M6x40 TC DIN84 A4
	1	S4130900A7	<i>Support Bushing W60</i> <i>Bushing Ø22xØ25x8.5</i>	36	4	M0601703	Screw M6x25 UNI 5931
14	6	M0606303	Screw M8x25 UNI 5931	37	3	M6007103	Slotted cup head screw M6x50 UNI 6107
15	3	A74145000	Roller Bearing Ø95xØ107x26	38	2	M0627602	Screw M5x25 TCCE U5931 D912 A2
16			Winch Serial Number Sticker	39	1	A96574900	Assy jaws Winch 60 <i>Upper Jaw W60</i> <i>Lower Jaw W60RW</i>
17	1	S4144300A0	Stripper Arm Housing W60/70		8	S385970001	<i>Spring</i>
18	1	S281700097	Red line		1	S657610052	<i>Tapered spacer for W60RW drum</i>
19	1	S6574800B1	Cover 2 Speed W60 REWIND		1	S665780080	<i>Spacer ring Winch 60 Rewind</i>
20	1	A76575000	Assembly Kit drum Winch 60 STA Rewind <i>Drum Assembly W60 RW</i>	40	1	A96574600	Assy stripper arm <i>Stripper arm W60 Rewind</i>
21	50	M0610280	Ball 5/16"		1	S6574700F0	<i>Peeler W60 Rewind</i>
22	1	S657540002	Disconnect rod 60 Rewind		1	S416570001	<i>Spring stripper arm W46 Rewind</i>
23	1	S657530004	Pawls carrier Ø8xN2		1	S416580041	<i>Bushing</i>
24	1	S657520041	Gear Z21		2	M0619003	<i>Screw M5x20 UNI 6109</i>
25	1	S657510004	Main shaft W60 Rewind		1	S419170080	<i>Slider</i>
26	2	M0614103	Ball 5-16" inox				

*Available with service kit; see website www.harken.com

**Winch product sticker



Winch 60 Rewind™ STC EL
C = drum in chrome bronze

Pos.	Q.ty	Code	Description	Pos.	Q.ty	Code	Description
1	1	A96575800	Assy Base W60 RW <i>Base W60RW</i>	27	1	A96575600	Assembly Fork Winch Rewind 60 <i>Command 60 Rewind</i>
	1	S476030004	<i>Centering bushing Ø12</i>		1	M0630801	<i>Wave spring</i>
	1	S4130900A7	<i>Bushing Ø22xØ25x8.5</i>		1	M0616603	<i>Ring UNI 7435</i>
	2	S415580085	<i>Bushing Ø12xØ35x9</i>		1	S416260041	<i>Disconnect flange</i>
	1	M6009463	<i>Spring loaded ball plunger Ø6</i> <i>Winch Product Sticker**</i>	28	1	A96575700	Assy knob W60 Rewind <i>Knob W60 Rewind</i>
2	1	S657550004	Gear Z14 W60RW				<i>Heli-coil M4x8</i>
3	6	S000080003	Pawl Ø8*		1	S419190004	<i>Pin for knob</i>
4	6	S000380001	Pawl Spring Ø8*		1	S419200041	<i>Bushing Ø6.5xØ4x3</i>
5	1	S278170002	Washer Ø12.5xØ48x1.5	29	1	S657590080	Switch Support W60RW
6	1	S281010004	Pin for gear	30	1	S416530004	Pin for switch
7	1	S414420041	Ratchet Gear Z26xN4	31	1	M0624203	Screw M6x30
8	1	S414410004	Pawls Carrier Gear Z13 N4	32	1	A94165200	Assy socket Rewind <i>Socket Handle</i>
9	2	A72821800	Roller Bearing Ø14xØ20x18		1	S414940085	<i>Washer Ø25xØ15x4</i>
10	1	S416030004	Gear Pin Ø12xØ18x52,5		1	S414930003	<i>Nut Screw for Disconnect Rod</i>
11	1	S414480004	Idler and Pinion Z23/Z13 W60		1	M0679797	<i>O ring RC 2025 series</i>
12	2	A74162300	Roll bearing Ø24xØ18x18	33	1	S418590001	Spring Ø10.67x12.7
13	1	A94143100	Assy Housing Winch 60.2 <i>Housing W60</i>	34	1	S657620052	Spacer for stripper arm support W60 Rew
	2	S415580085	<i>Bushing Ø12xØ35x9</i>	35	4	M0623103	Screw M6x40 TC DIN84 A4
	1	S4130900A7	<i>Support Bushing W60</i>	36	4	M0601703	Screw M6x25 UNI 5931
			<i>Bushing Ø22xØ25x8.5</i>	37	3	M6007103	Slotted cup head screw M6x50 UNI 6107
14	6	M0606303	Screw M8x25 UNI 5931	38	2	M0627602	Screw M5x25 TCCE U5931 D912 A2
15	3	A74145000	Roller Bearing Ø95xØ107x26	39	1	A96990500	Assy jaws Winch 60 STC Rewind <i>Upper Jaw W60</i>
16			Winch Serial Number Sticker				<i>Lower Jaw W60RW</i>
17	1	S4144300A0	Stripper Arm Housing W60/70		8	S385970001	<i>Spring</i>
18	1	S281700097	Red line		1	S657610041	<i>Tapered spacer for W60RW drum</i>
19	1	S6574800B1	Cover 2 Speed W60 REWIND		1	S665780080	<i>Spacer ring Winch 60 Rewind</i>
20	1	A76645700	Assembly Kit drum Winch 60 STC Rewind <i>Drum Assembly W60 RW</i>	40	1	A96574600	Assy stripper arm <i>Stripper arm W60 Rewind</i>
21	50	M0610280	Ball 5/16"		1	S6574700F0	<i>Peeler W60 Rewind</i>
22	1	S657540002	Disconnect rod 60 Rewind		1	S416570001	<i>Spring stripper arm W46 Rewind</i>
23	1	S657530004	Pawls carrier Ø8xN2		1	S416580041	<i>Bushing</i>
24	1	S657520041	Gear Z21		2	M0619003	<i>Screw M5x20 UNI 6109</i>
25	1	S657510004	Main shaft W60 Rewind		1	S419170080	<i>Slider</i>
26	2	M0614103	Ball 5-16" inox				

*Available with service kit; see website www.harken.com

**Winch product sticker



Winch 60 Rewind™ STCW EL

CW = chrome/white

Pos.	Q.ty	Code	Description	Pos.	Q.ty	Code	Description
1	1	A96760800W	Assy Base W60 RW W <i>Base W60RW</i>	27	1	A96575600	Assembly Fork Winch Rewind 60 <i>Command 60 Rewind</i>
	1	S6760800A5W	<i>Skirt W60 Rewind W</i>		1	M0630801	<i>Wave spring</i>
	1	S476030004	<i>Centering bushing Ø12</i>		1	M0616603	<i>Ring UNI 7435</i>
	1	S4130900A7	<i>Bushing Ø22xØ25x8.5</i>		1	S416260041	<i>Disconnect flange</i>
	2	S415580085	<i>Bushing Ø12xØ35x9</i>	28	1	A96575700	Assy knob W60 Rewind <i>Knob W60 Rewind</i>
	1	M6009463	<i>Spring loaded ball plunger Ø6</i> <i>Winch Product Sticker**</i>				<i>Heli-coil M4x8</i>
2	1	S657550004	Gear Z14 W60RW		1	S419190004	<i>Pin for knob</i>
3	6	S000080003	Pawl Ø8*		1	S419200041	<i>Bushing Ø6.5xØ4x3</i>
4	6	S000380001	Pawl Spring Ø8*	29	1	S657590080	Switch Support W60RW
5	1	S278170002	Washer Ø12.5xØ48x1.5	30	1	S416530004	Pin for switch
6	1	S281010004	Pin for gear	31	1	M0624203	Screw M6x30
7	1	S414420041	Ratchet Gear Z26xN4	32	1	A94165200	Assy socket Rewind <i>Socket Handle</i>
8	1	S414410004	Pawls Carrier Gear Z13 N4		1	S414940085	<i>Washer Ø25xØ15x4</i>
9	2	A72821800	Roller Bearing Ø14xØ20x18		1	S414930003	<i>Nut Screw for Disconnect Rod</i>
10	1	S416030004	Gear Pin Ø12xØ18x52,5		1	M0679797	<i>O ring RC 2025 series</i>
11	1	S414480004	Idler and Pinion Z23/Z13 W60	33	1	S418590001	Spring Ø10.67x12.7
12	2	A74162300	Roll bearing Ø24xØ18x18	34	1	S657620052	Spacer for stripper arm support W60 Rew
13	1	A94143100	Assy Housing Winch 60.2 <i>Housing W60</i>	35	4	M0623103	Screw M6x40 TC DIN84 A4
	2	S415580085	<i>Bushing Ø12xØ35x9</i>	36	4	M0601703	Screw M6x25 UNI 5931
	1	S4130900A7	<i>Support Bushing W60</i>	37	3	M6007103	Slotted cup head screw M6x50 UNI 6107
			<i>Bushing Ø22xØ25x8.5</i>	38	2	M0627602	Screw M5x25 TCCE U5931 D912 A2
14	6	M0606303	Screw M8x25 UNI 5931	39	1	A96574900W	Assy jaws Winch 60 STCW Rewind <i>Upper Jaw W60 W</i>
15	3	A74145000	Roller Bearing Ø95xØ107x26				<i>Lower Jaw W60RW</i>
16			Winch Serial Number Sticker		8	S385970001	<i>Spring</i>
17	1	S4144300A0	Stripper Arm Housing W60/70		1	S657610041	<i>Tapered spacer for W60RW drum</i>
18	1	S281700097	Red line		1	S665780080	<i>Spacer ring Winch 60 Rewind</i>
19	1	S6574800B1	Cover 2 Speed W60 REWIND	40	1	A96574600	Assy stripper arm <i>Stripper arm W60 Rewind</i>
20	1	A76645700	Assembly Kit drum Winch 60 STC Rewind <i>Drum Assembly W60 RW</i>		1	S6574700F0	<i>Peeler W60 Rewind</i>
21	50	M0610280	Ball 5/16"		1	S416570001	<i>Spring stripper arm W46 Rewind</i>
22	1	S657540002	Disconnect rod 60 Rewind		1	S416580041	<i>Bushing</i>
23	1	S657530004	Pawls carrier Ø8xN2		2	M0619003	<i>Screw M5x20 UNI 6109</i>
24	1	S657520041	Gear Z21		1	S419170080	<i>Slider</i>
25	1	S657510004	Main shaft W60 Rewind				
26	2	M0614103	Ball 5-16" inox				

 *Available with service kit; see website www.harken.com

**Winch product sticker



Winch 60 Rewind™ STBBB EL

BBB = all bronze

Pos.	Q.ty	Code	Description	Pos.	Q.ty	Code	Description
1	1	A96934300	Assy Base W60 RW STBBB <i>Base W60RW</i>	27	1	A96575600	Assembly Fork Winch Rewind 60 <i>Command 60 Rewind</i>
	1	S693430043	<i>Cover for base W60 Rewind BBB</i>		1	M0630801	<i>Wave spring</i>
	1	S476030004	<i>Centering bushing Ø12</i>		1	M0616603	<i>Ring UNI 7435</i>
	1	S4130900A7	<i>Bushing Ø22xØ25x8.5</i>		1	S416260041	<i>Disconnect flange</i>
	2	S415580085	<i>Bushing Ø12xØ35x9</i>	28	1	A96575700	Assy knob W60 Rewind <i>Knob W60 Rewind</i>
	1	M6009463	<i>Spring loaded ball plunger Ø6</i> <i>Winch Product Sticker**</i>				<i>Heli-coil M4x8</i>
2	1	S657550004	Gear Z14 W60RW		1	S419190004	<i>Pin for knob</i>
3	6	S000080003	Pawl Ø8*		1	S419200041	<i>Bushing Ø6.5xØ4x3</i>
4	6	S000380001	Pawl Spring Ø8*	29	1	S657590080	Switch Support W60RW
5	1	S278170002	Washer Ø12.5xØ48x1.5	30	1	S416530004	Pin for switch
6	1	S281010004	Pin for gear	31	1	M0624203	Screw M6x30
7	1	S414420041	Ratchet Gear Z26xN4	32	1	A94165200	Assy socket Rewind <i>Socket Handle</i>
8	1	S414410004	Pawls Carrier Gear Z13 N4		1	S414940085	<i>Washer Ø25xØ15x4</i>
9	2	A72821800	Roller Bearing Ø14xØ20x18		1	S414930003	<i>Nut Screw for Disconnect Rod</i>
10	1	S416030004	Gear Pin Ø12xØ18x52,5		1	M0679797	<i>O ring RC 2025 series</i>
11	1	S414480004	Idler and Pinion Z23/Z13 W60	33	1	S418590001	Spring Ø10.67x12.7
12	2	A74162300	Roll bearing Ø24xØ18x18	34	1	S657620052	Spacer for stripper arm support W60 Rew
13	1	A94143100	Assy Housing Winch 60.2 <i>Housing W60</i>	35	4	M0623103	Screw M6x40 TC DIN84 A4
	2	S415580085	<i>Bushing Ø12xØ35x9</i>	36	4	M0601703	Screw M6x25 UNI 5931
	1	S4130900A7	<i>Support Bushing W60</i>	37	3	M6007103	Slotted cup head screw M6x50 UNI 6107
			<i>Bushing Ø22xØ25x8.5</i>	38	2	M0627602	Screw M5x25 TCCE U5931 D912 A2
14	6	M0606303	Screw M8x25 UNI 5931	39	1	A96990600	Assy jaws Winch 60 STB Rewind <i>Upper Jaw W60</i>
15	3	A74145000	Roller Bearing Ø95xØ107x26				<i>Lower Jaw W60RW B</i>
16			Winch Serial Number Sticker		8	S385970001	<i>Spring</i>
17	1	S4144300A0	Stripper Arm Housing W60/70		1	S657610043	<i>Tapered spacer for W60RW drum</i>
18	1	S281700097	Red line		1	S665780080	<i>Spacer ring Winch 60 Rewind</i>
19	1	S6574800B1	Cover 2 Speed W60 REWIND	40	1	A76934000	Assy stripper arm Winch 60 RW B <i>Stripper arm W60 Rewind B</i>
20	1	A76934400	Assembly Kit drum Winch 60 STB Rewind <i>Drum Assembly W60 RW</i>		1	S6574700F0	<i>Peeler W60 Rewind</i>
21	50	M0610280	Ball 5/16"		1	S416570001	<i>Spring stripper arm W46 Rewind</i>
22	1	S657540002	Disconnect rod 60 Rewind		1	S416580041	<i>Bushing</i>
23	1	S657530004	Pawls carrier Ø8xN2		2	M0619003	<i>Screw M5x20 UNI 6109</i>
24	1	S657520041	Gear Z21		1	S419170080	<i>Slider</i>
25	1	S657510004	Main shaft W60 Rewind				
26	2	M0614103	Ball 5-16" inox				

*Available with service kit; see website www.harken.com

**Winch product sticker



60 Rewind™ STCCC EL Winch
CCC = All-Chrome bronze

Pos.	Q.ty	Code	Description	Pos.	Q.ty	Code	Description
1	1	A96934500	Assy Base W60 RW STCCC <i>Base W60RW</i>	27	1	A96575600	Assembly Fork Winch Rewind 60 <i>Command 60 Rewind</i>
	1	S693450043	<i>Cover for base W60 Rewind CCC</i>		1	M0630801	<i>Wave spring</i>
	1	S476030004	<i>Centering bushing Ø12</i>		1	M0616603	<i>Ring UNI 7435</i>
	1	S4130900A7	<i>Bushing Ø22xØ25x8.5</i>		1	S416260041	<i>Disconnect flange</i>
	2	S415580085	<i>Bushing Ø12xØ35x9</i>	28	1	A96575700	Assy knob W60 Rewind <i>Knob W60 Rewind</i>
	1	M6009463	<i>Spring loaded ball plunger Ø6</i> <i>Winch Product Sticker**</i>				<i>Knob W60 Rewind</i>
2	1	S657550004	Gear Z14 W60RW		1	S419190004	<i>Heli-coil M4x8</i>
3	6	S000080003	Pawl Ø8*		1	S419200041	<i>Pin for knob</i>
4	6	S000380001	Pawl Spring Ø8*				<i>Bushing Ø6.5xØ4x3</i>
5	1	S278170002	Washer Ø12.5xØ48x1.5	29	1	S657590080	Switch Support W60RW
6	1	S281010004	Pin for gear	30	1	S416530004	Pin for switch
7	1	S414420041	Ratchet Gear Z26xN4	31	1	M0624203	Screw M6x30
8	1	S414410004	Pawls Carrier Gear Z13 N4	32	1	A94165200	Assy socket Rewind <i>Socket Handle</i>
9	2	A72821800	Roller Bearing Ø14xØ20x18		1	S414940085	<i>Washer Ø25xØ15x4</i>
10	1	S416030004	Gear Pin Ø12xØ18x52,5		1	S414930003	<i>Nut Screw for Disconnect Rod</i>
11	1	S414480004	Idler and Pinion Z23/Z13 W60		1	M0679797	<i>O ring RC 2025 series</i>
12	2	A74162300	Roll bearing Ø24xØ18x18	33	1	S418590001	Spring Ø10.67x12.7
13	1	A94143100	Assy Housing Winch 60.2 <i>Housing W60</i>	34	1	S657620052	Spacer for stripper arm support W60 Rew
	2	S415580085	<i>Bushing Ø12xØ35x9</i>	35	4	M0623103	Screw M6x40 TC DIN84 A4
	1	S4130900A7	<i>Support Bushing W60</i>	36	4	M0601703	Screw M6x25 UNI 5931
			<i>Bushing Ø22xØ25x8.5</i>	37	3	M6007103	Slotted cup head screw M6x50 UNI 6107
14	6	M0606303	Screw M8x25 UNI 5931	38	2	M0627602	Screw M5x25 TCCE U5931 D912 A2
15	3	A74145000	Roller Bearing Ø95xØ107x26	39	1	A96934600	Assy jaws Winch 60 STC Rewind <i>Upper Jaw W60</i>
16			Winch Serial Number Sticker				<i>Lower Jaw W60RW C</i>
17	1	S4144300A0	Stripper Arm Housing W60/70		8	S385970001	<i>Spring</i>
18	1	S281700097	Red line		1	S657610041	<i>Tapered spacer for W60RW drum</i>
19	1	S6574800B1	Cover 2 Speed W60 REWIND		1	S665780080	<i>Spacer ring Winch 60 Rewind</i>
20	1	A76645700	Assembly Kit drum Winch 60 STC Rewind <i>Drum Assembly W60 RW</i>	40	1	A96574600	Assy stripper arm Winch 60 RW C <i>Stripper arm W60 Rewind B</i>
21	50	M0610280	Ball 5/16"		1	S6574700F0	<i>Peeler W60 Rewind</i>
22	1	S657540002	Disconnect rod 60 Rewind		1	S416570001	<i>Spring stripper arm W46 Rewind</i>
23	1	S657530004	Pawls carrier Ø8xN2		1	S416580041	<i>Bushing</i>
24	1	S657520041	Gear Z21		2	M0619003	<i>Screw M5x20 UNI 6109</i>
25	1	S657510004	Main shaft W60 Rewind		1	S419170080	<i>Slider</i>
26	2	M0614103	Ball 5-16" inox				

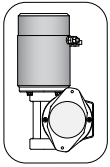
*Available with service kit; see website www.harken.com

**Winch product sticker

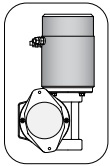


Horizontal electric motor 12V/24V

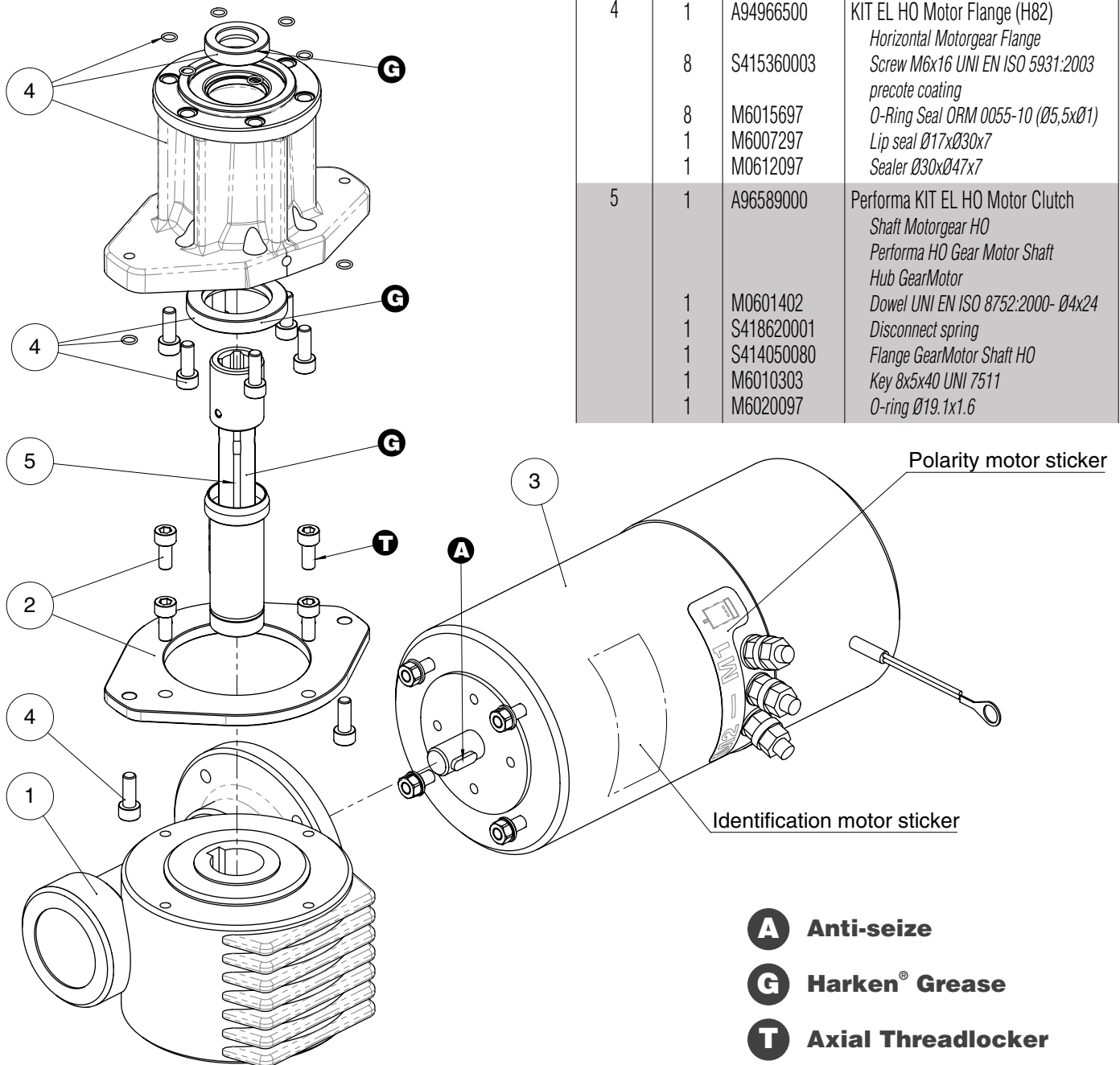
TOP VIEW



* Motor installed in right-hand configuration.



** Motor installed in left-hand configuration.



Pos.	Q.ty	Code	Description
1	1	A93127900	KIT Gear Reduction VF49
	1	A94194900	KIT LM Gear Reduction 1/24
2	1	A94149200	KIT Assy Electric Motor Flange
	1	A94149200L	KIT Assy Electric Motor Flange Left
	4	M0606803	Electric Motor Flange Screw M6x14 UNI 5931
3	1	A96656800	Kit electric motor HO 12V W.60 RW
	1	A96656900	Kit electric motor OR 24V Winch 60 RW
4	1	A96656800	Electric motor with brake 4,5Nm
	1	A96656900	Polarity motor sticker
	1	A96656900	Screw stud M6x26
	1	A96656900	Washer Ø6
	1	A96656900	Nut M6 UNI5588
5	1	M6014206	Key DIN 6885 5x5x15
	1	A94966500	KIT EL HO Motor Flange (H82)
	8	S415360003	Horizontal Motorgear Flange
	8	M6015697	Screw M6x16 UNI EN ISO 5931:2003
	1	M6007297	precote coating
	1	M6012097	O-Ring Seal ORM 0055-10 (Ø5,5xØ1)
	1	M6012097	Lip seal Ø17xØ30x7
	1	M6012097	Sealer Ø30xØ47x7
5	1	A96589000	Performa KIT EL HO Motor Clutch
	1	A96589000	Shaft Motorgear HO
	1	A96589000	Performa HO Gear Motor Shaft
	1	A96589000	Hub GearMotor
	1	M0601402	Dowel UNI EN ISO 8752:2000- Ø4x24
	1	S418620001	Disconnect spring
	1	S414050080	Flange GearMotor Shaft HO
1	M6010303	Key 8x5x40 UNI 7511	
1	M6020097	O-ring Ø19.1x1.6	

- A** Anti-seize
- G** Harken® Grease
- T** Axial Threadlocker