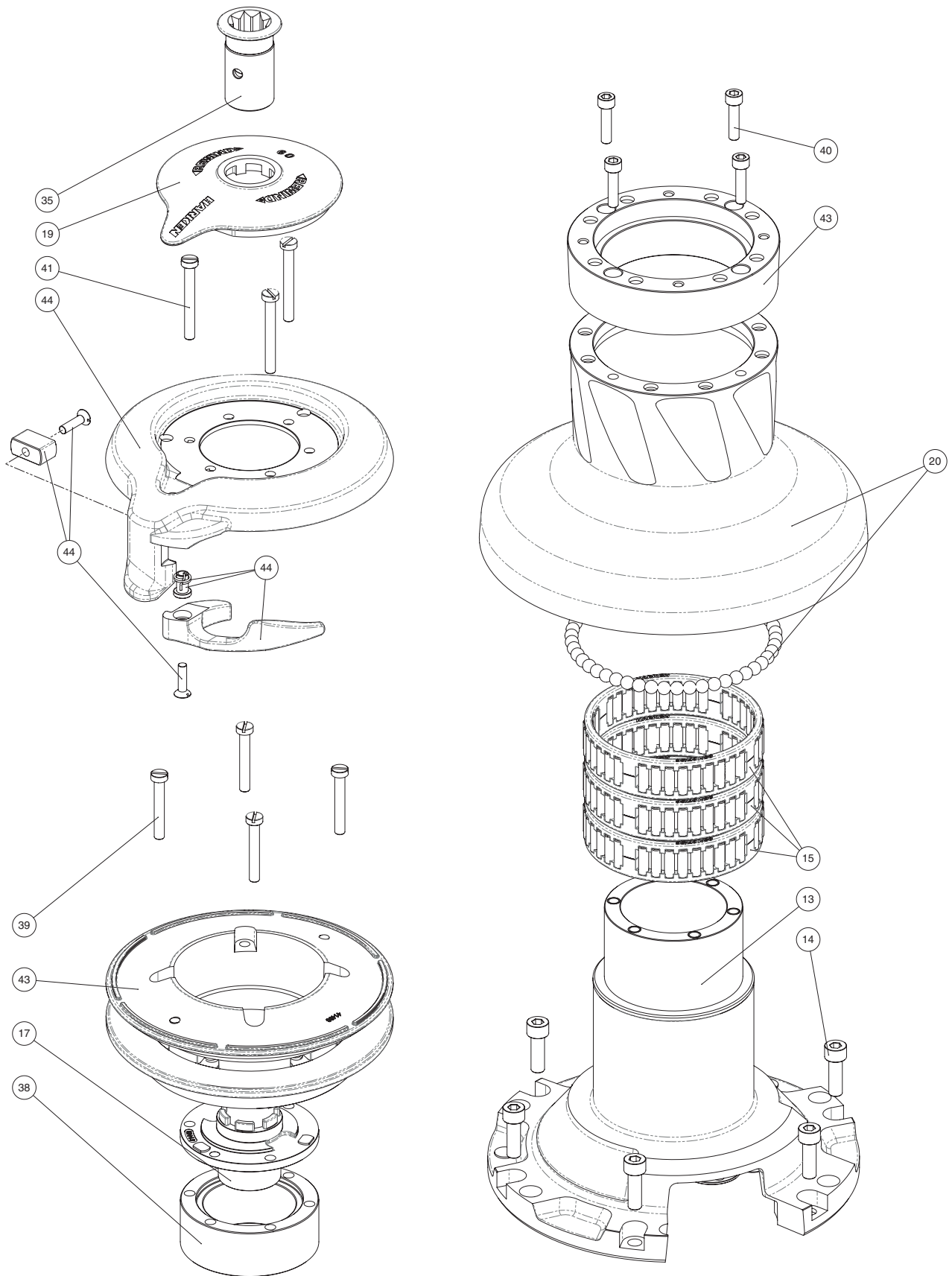


**Exploded view**

60 Rewind STA, STC, STCW, STBBB, STCCC EL Winch





**60 Rewind™ STCCC EL Winch**

CCC = All-Chrome bronze

Pos.	Q.ty	Code	Description	Pos.	Q.ty	Code	Description
1	1	A96934500	Base Assy W60STCCC REWIND <i>Base W60RW BBB-CCC Heli-coil M8x10</i>	26	2	M0614103	Ball 5-16" inox
	1	S693450043	<i>Cover for base W60 REW CCC</i>	27	1	M0616603	Seeger Ring UNI 7435:1975 - Ø28 mat. 17-7 Ph
	1	S476030004	<i>Centering bushing Ø12</i>	28	1	M0630802	SMALLEY RING SSR0137-S17
	1	S4130900A7	<i>Bushing Ø22xØ25x8.5</i>	29	1	A76575600	Command x W60 Rewind
	2	S415580085	<i>Bushing Ø12xØ35x9</i>	30	1	A96575700	Assy knob W60 Rewind <i>Knob W60 Rewind Heli-coil M4x8</i>
	1	M6009463	<i>Spring loaded ball plunger Ø6 Winch Product Sticker**</i>		1	S419190004	<i>Pin for knob</i>
2	1	S657550004	Gear Z14 W60RW		1	S419200041	<i>Bushing Ø6.5xØ4x3</i>
3	6	S000080003	Pawl Ø8*	31	1	S497400080	Knob W46 rewind
4	6	S000380001	Pawl Spring Ø8*	32	1	S657590080	Switch Support W60RW
5	1	S278170002	Washer Ø12.5xØ48x1.5	33	1	S416530004	Pin for switch W46 Rewind
6	1	S281010004	Pin for gear	34	1	M0624203	Screw M6x30
7	1	S414420041	Ratchet Gear Z26xN4	35	1	A94165200	Assy socket W46 Rewind <i>Socket Handle W46 Rewind</i>
8	1	S414410004	Pawls Carrier Gear Z13 N4		1	S414940085	<i>Washer Ø25xØ15x4</i>
9	2	A72821800	Roller Bearing Ø14xØ20x18		1	S414930003	<i>Nut Screw for Disconnect Rod</i>
10	1	S416030004	Gear Pin Ø12xØ18x52,5		1	M0679797	<i>O ring RC 2025 series</i>
11	1	S414480004	Idler and Pinion Z23/Z13 W60	36	1	M0624103	Screw M4x16 UNI5931
12	2	A74162300	Roll bearing Ø24xØ18x18	37	1	S418590001	Spring Ø10.67x12.7 rif.SPEC C0420-035-0500S
13	1	A94143100	Assy Housing Winch 60.2 <i>Housing W60 Heli-coil M6x9</i>	38	1	S657620052	Spacer for stripper arm support W60 Rew
	2	S415580085	<i>Bushing Ø12xØ35x9</i>	39	4	M0623103	Screw M6x40 TC DIN84 A4
	1	S4130900A7	<i>Support Bushing W60 Bushing Ø22xØ25x8.5</i>	40	4	M0601703	Screw M6x25 UNI 5931
14	6	M0606303	Screw M8x25 UNI 5931	41	3	M6007103	Screw M6x50 UNI6107
15	3	A74145000	Roller Bearing Ø95xØ107x26	42	2	M0627602	SCREW M5x25 TCCE U5931 D912 A2
16			Winch Serial Number Sticker	43	1	A96934600	Assy jaws Winch 60 STCCC Rewind <i>Upper Jaw W60 RAL 9003 Lower Jaw W60RW CCC</i>
17	1	S4144300A0	Stripper Arm Housing W60/70		8	S385970001	<i>SPRING</i>
18	1	S281700097	Red line		1	S657610041	<i>Tapered spacer for W60RW C</i>
19	1	A76934700	Assy cover W60 RW CCC		1	S665780080	<i>Spacer ring Winch 60 Rewind</i>
20	1	A96645700	Kit Assembly drum Winch 60 STC Rewind <i>Drum Winch 60 Rewind</i>	44	1	A96574600	Assy stripper arm <i>Stripper arm W60 Rewind</i>
	50	M0610280	<i>Ball 5/16"</i>		1	S657470019	<i>Peeler W60 Rewind</i>
21	1	S657540002	Disconnect rod 60 Rewind		1	S416570001	<i>Spring stripper arm W46 Rewind</i>
22	1	S657530004	Pawls carrier Ø8xN2		1	S416580041	<i>Bushing</i>
23	1	S657520041	Gear Z21		2	M0619003	<i>Screw M5x20 UNI 6109</i>
24	1	S657510004	Main shaft W60 Rewind		1	S419170080	<i>Slider</i>
25	1	S416260041	Disconnect flange				

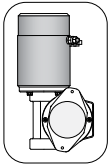
 \*Available with service kit; see website [www.harken.com](http://www.harken.com)

\*\*Winch product sticker

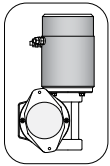


Horizontal electric motor 12V/24V

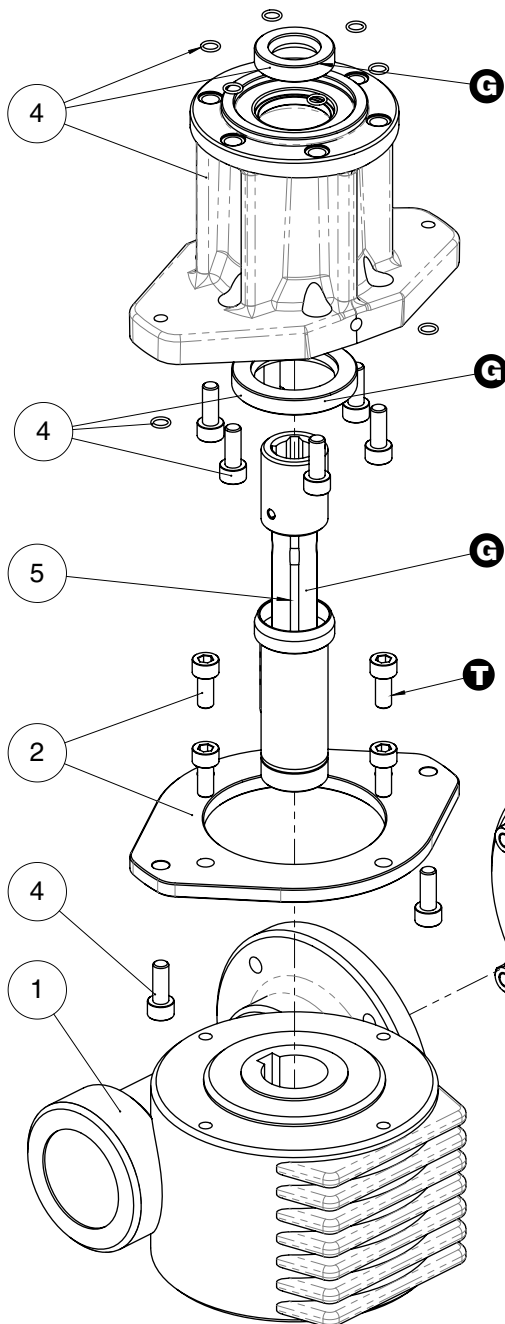
**TOP VIEW**



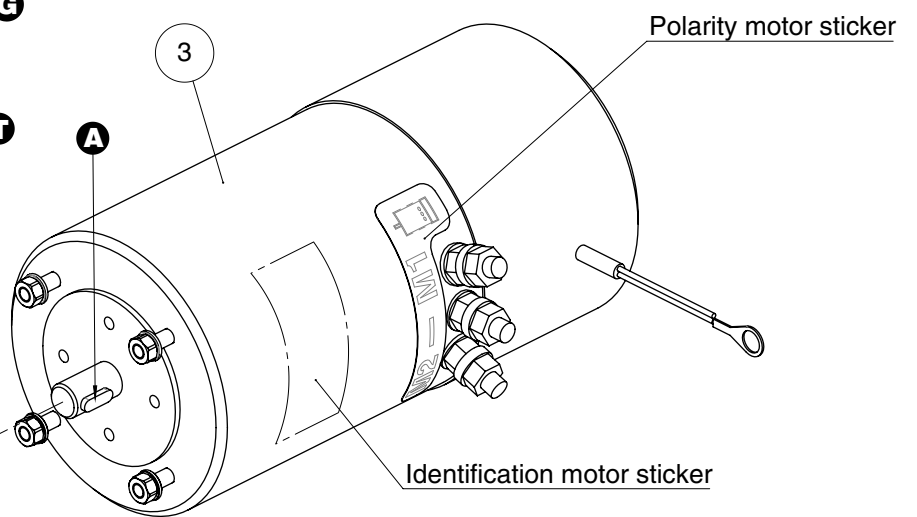
\* Motor installed in right-hand configuration.



\*\* Motor installed in left-hand configuration.



Pos.	Q.ty	Code	Description
1	1	A93127900	KIT Gear Reduction VF49
	1	A94194900	KIT LM Gear Reduction 1/24
2	1	A94149200	KIT Assy Electric Motor Flange
	1	A94149200L	KIT Assy Electric Motor Flange Left
	4	M0606803	Electric Motor Flange Screw M6x14 UNI 5931
3	1	A96656800	Kit electric motor HO 12V W.60 RW
	1	A96656900	Kit electric motor OR 24V Winch 60 RW
4	1	A94966500	Kit EL HO Motor Flange (H82)
	8	S415360003	Horizontal Motorgear Flange Screw M6x16 UNI EN ISO 5931:2003 precote coating
	8	M6015697	O-Ring Seal ORM 0055-10 (Ø5,5xØ1)
	1	M6007297	Lip seal Ø17xØ30x7
	1	M0612097	Sealer Ø30xØ47x7
5	1	A96589000	Performa KIT EL HO Motor Clutch
			Shaft Motorgear HO
			Performa HO Gear Motor Shaft
			Hub GearMotor
	1	M0601402	Dowel UNI EN ISO 8752:2000- Ø4x24
	1	S418620001	Disconnect spring
	1	S414050080	Flange GearMotor Shaft HO
1	M6010303	Key 8x5x40 UNI 7511	
1	M6020097	O-ring Ø19.1x1.6	



- A** Anti-seize
- G** Harken® Grease
- T** Axial Threadlocker