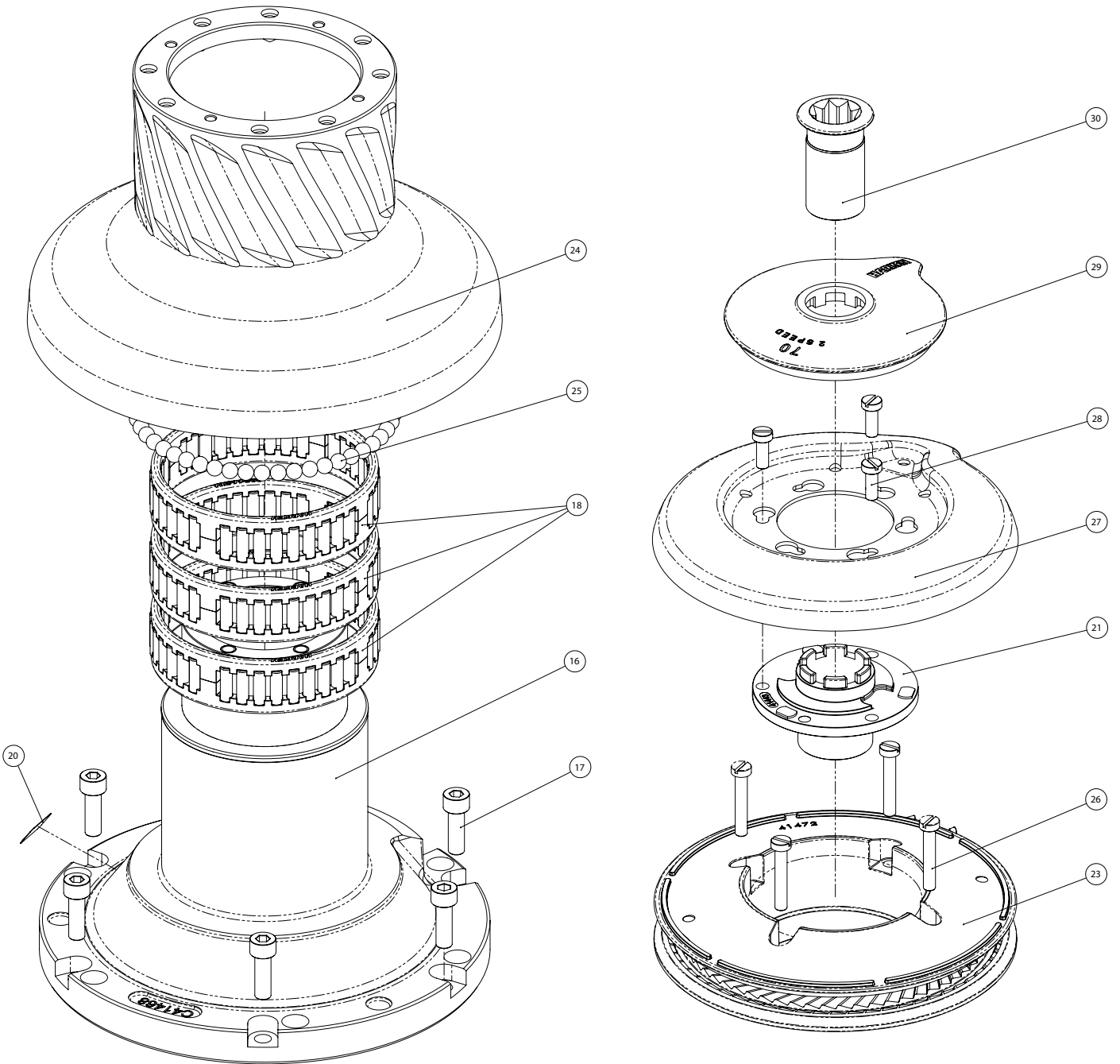
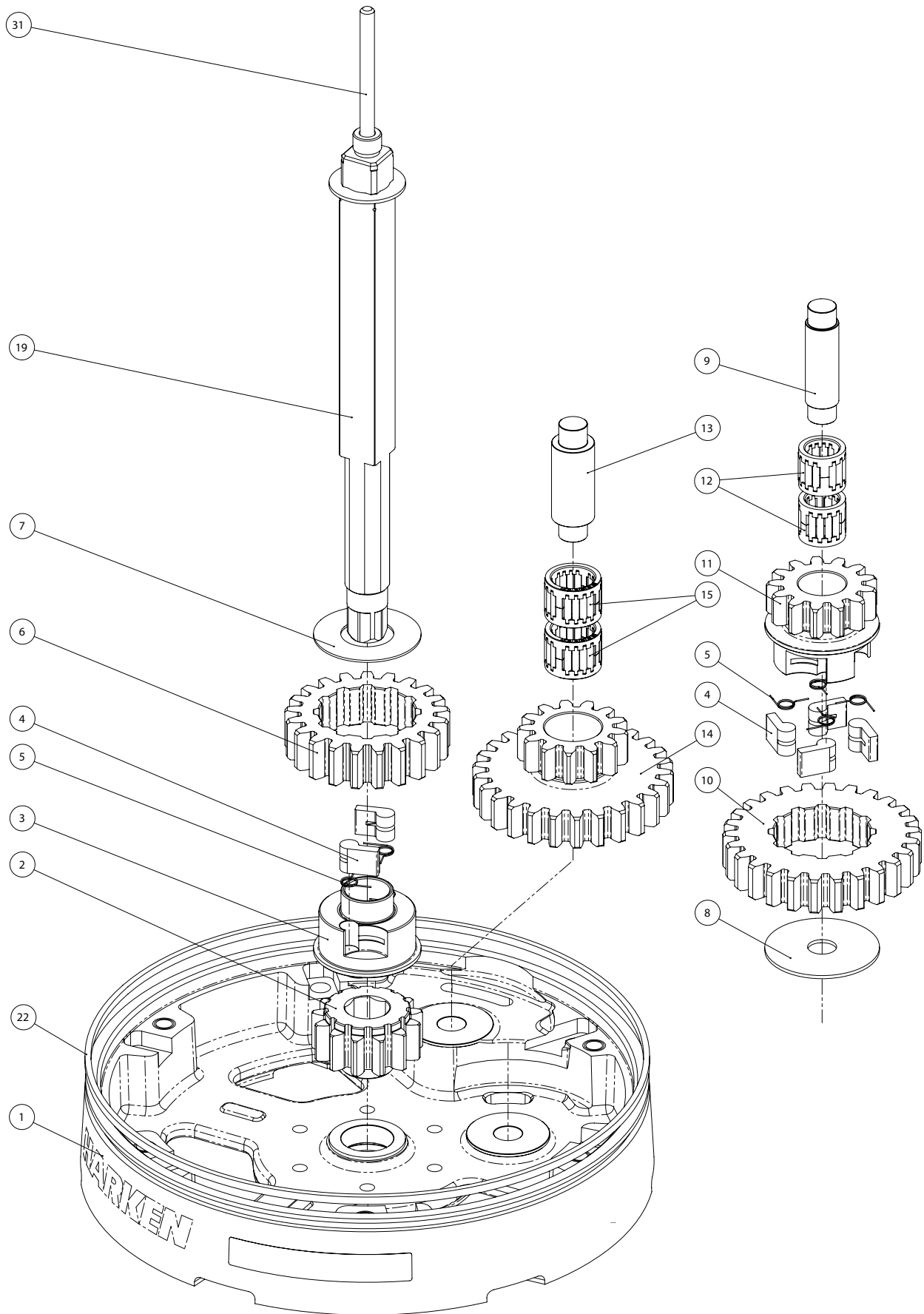


Exploded view

Radial Winch 70.2 STA, STC, STCW



Radial Winch 70.2 STA, STC, STCW

Parts List

Radial Winch 70.2 STA

A = drum in anodised aluminium

Pos.	Q.ty	Code	Description	Pos.	Q.ty	Code	Description
1	1	A94190000	Assy Base Winch 70 EL/HY <i>Base W70 Heli-coil M8x10</i>	18	3	A74147500	Roller Bearing Ø102xØ114x26
	1	S476030004	<i>Centering bushing Ø12</i>	19	1	A96753500	Assy Shaft Winch 70 EL/HY <i>Central Shaft Pred. W70</i>
	1	S4130900A7	<i>Bushing Ø22xØ25x8.5</i>		1	S413880002	<i>Washer Ø17.2xØ32x1.5</i>
	2	S415580085	<i>Bushing Ø12xØ35x9</i> <i>Winch Product Sticker**</i>	20			Winch Serial Number Sticker
2	1	S414770004	Gear Z13 W70	21	1	S4144300A0	Stripper Arm Housing W60/70
3	1	S413030004	Pawls Carrier Ø8xN2	22	1	S281700097	Red line
4	6	S000080003	Pawl Ø8*	23	1	A94147100	Assy Jaws winch 70 <i>Lower Jaw W70</i>
5	6	S000380001	Pawl Spring Ø8*		1	S414850080	<i>Upper Jaw W70</i>
6	1	S414390041	Ratchet Gear Z21xN2		4	S385970001	<i>Peeler W60 - 70</i> <i>SPRING</i>
7	1	S413120002	Washer Ø22.5xØ45x1	24	1	A74146900	Assy Drum Winch 70
8	1	S278170002	Washer Ø12.5xØ48x1.5	25	50	M0610280	Ball 5/16"
9	1	S281010004	Pin for gear	26	4	M0601803	Screw UNI EN ISO 1207:1996 - M6x35 - A4
10	1	S414420041	Ratchet Gear Z26xN4	27	1	S414730019	Stripper Arm W70
11	1	S414410004	Pawls Carrier Gear Z13 N4	28	3	M0601903	Screw M6x16 UNI1207
12	2	A72821800	Roller Bearing Ø14xØ20x18	29	1	S4160400B1	Cover 2 Speed W70
13	1	S416030004	Gear Pin Ø12xØ18x52,5	30	1	A94149300	Assy Socket W35-80 EL/HY <i>Socket Handle W20/80</i>
14	1	S414760004	Idler and Pinion Z26/Z13 W70		1	S414940085	<i>Washer Ø25xØ15x4</i>
15	2	A74162300	Roll bearing Ø24xØ18x18		1	S414930003	<i>Nut Screw for Disconnect Rod</i>
16	1	A94146800	Assy Housing Winch 70 <i>Housing W70</i> <i>Heli-coil M6x9</i> <i>Support Bushing W70</i>		1	M0679797	<i>O ring RC 2025 series</i>
	2	S415580085	<i>Bushing Ø12xØ35x9</i>	31	1	S415090002	Disconnect Rod W70
	1	S4130900A7	<i>Bushing Ø22xØ25x8.5</i>				
17	6	M0606303	Screw M8x25 UNI 5931				

*Available with service kit; see website www.harken.com

**Winch product sticker



Hydraulic motor

Pos.	Q.ty	Code	Description	Pos.	Q.ty	Code	Description
1	1	G30848000Y	Hydraulic motor W70	4	1	A94149100	KIT HY Motor Flange W46-70
2	1	S415000080	Hydraulic Motor Spacer				<i>Hydraulic Motorgear Flange</i>
3	1	A94193200	KIT Clutch HY Motor W46-70	6		S415360003	<i>Screw M6x16 UNI EN ISO 5931:2003 precote coating</i>
			<i>Toothed coupling</i>	6		M6015697	<i>O-Ring Seal ORM 0055-10 (Ø5,5 x Ø1)</i>
	1	M0620401	<i>Connecting Coupling Ø31.5</i>	1		M6007297	<i>Lip seal Ø17xØ30x7</i>
	1	S415010080	<i>Spring pin 5x40 DIN1481</i>	2		M0621503	<i>Washer D.13 U1751 DIN127</i>
	1	S326490001	<i>Bushing</i>	2		M0667103	<i>Screw M12x35 UNI5931</i>
	1	S329360082	<i>Spring</i>				
	1	M0635303	<i>Washer</i>				
	1		<i>Screw M8x16 UNI6109</i>				

