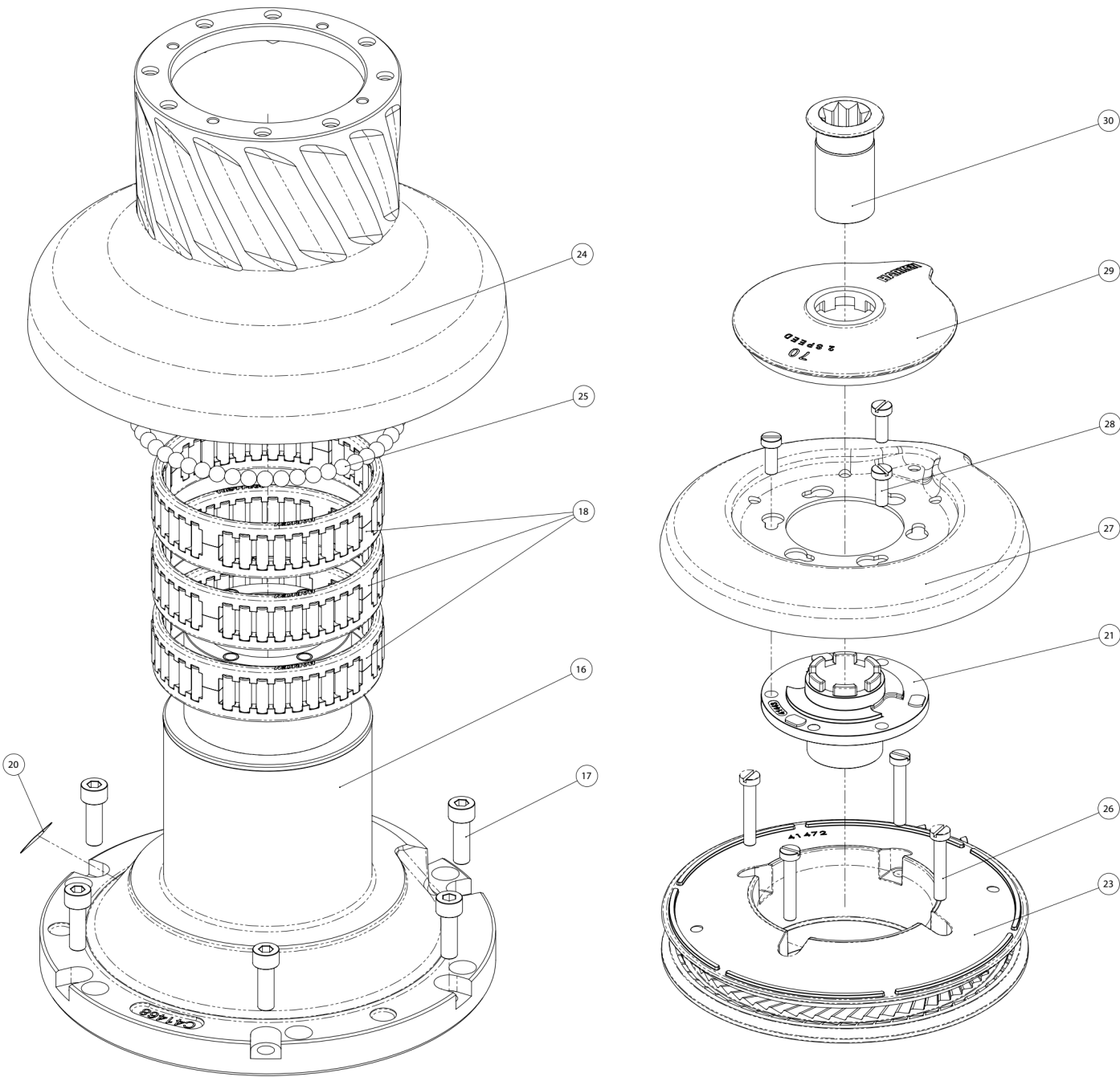


**Exploded view**





## Radial Winch 70.2 STC

C=drum in chromed bronze

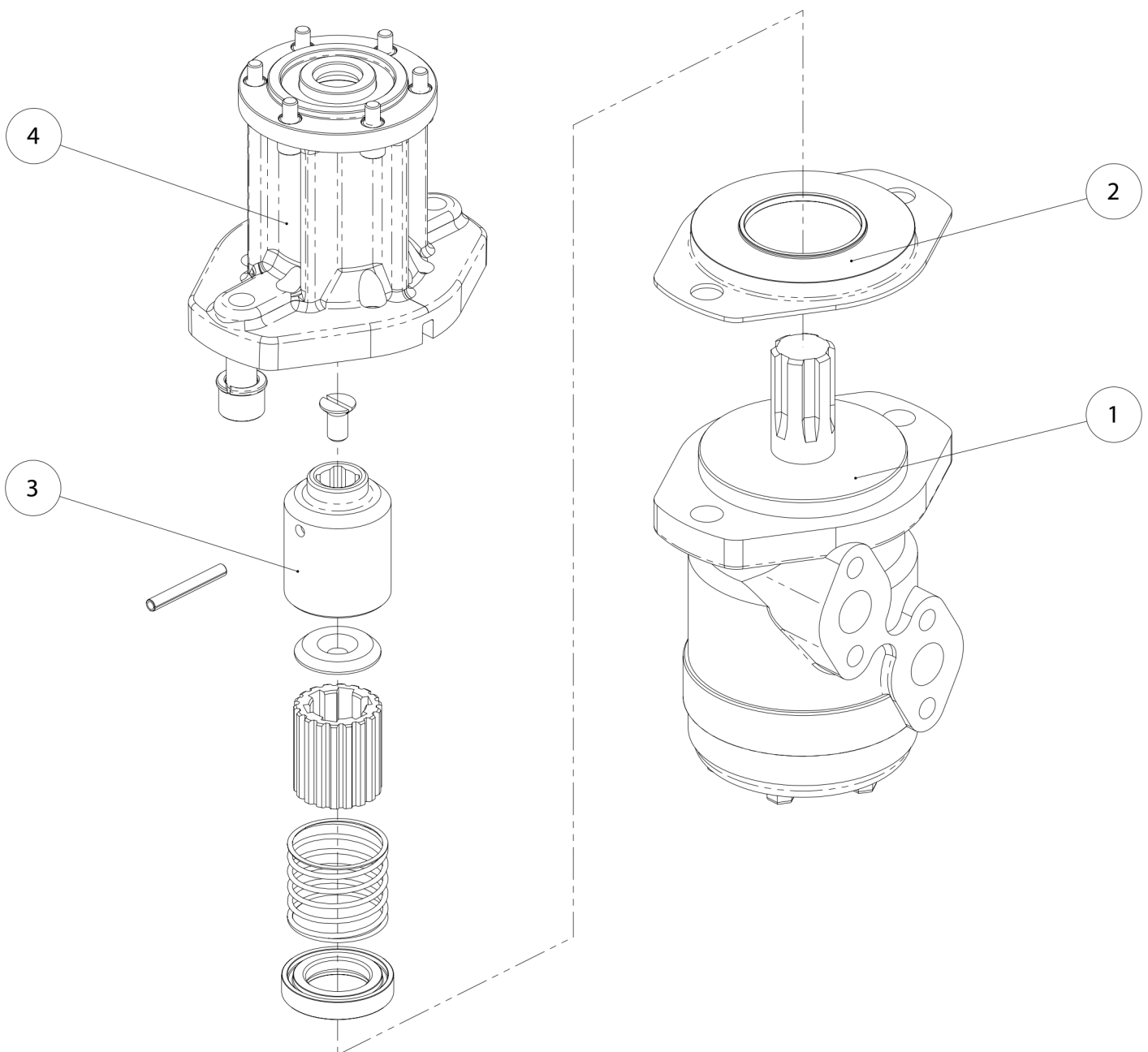
Pos.	Q.ty	Code	Description	Pos.	Q.ty	Code	Description
1	1	A 941900 00	Assy Base W70 EL/HY <i>Base W70 Heli-coil M8x10 Centering bushing Ø12 Bushing Ø22xØ25x8.5* Bushing Ø12xØ35x9 Winch Product Sticker**</i>	17	6	M0606303	Screw M8x25 UNI 5931
2	1	S 41477 00 04	Gear Z13 W70	18	3	A 741475 00	Roller Bearing Ø102xØ114x26*
3	1	S 41303 00 04	Pawls Carrier Ø8xN2	19	1	A 967535 00	Assy Shaft W70 EL/HY <i>Central Shaft Pred. W70 Washer Ø17.2xØ32x1.5</i>
4	6	S 00008 00 03	Pawl Ø8	20	1	S 41876 00 63	Winch Serial Number Sticker
5	6	S 00038 00 01	Pawl Spring Ø8	21	1	S 41443 00 A0	Stripper Arm Housing W70
6	1	S 41439 00 41	Ratchet Gear Z21xN2	22	1	S 28170 00 97	Red line*
7	1	S 41312 00 02	Washer Ø22.5xØ45x1*	23	1	A 941471 00	Assy Jaws W70 <i>Lower Jaw W70 Upper Jaw W70 Peeler W70 Spring</i>
8	1	S278170002	Washer 12.5x48x1.5*	24	1	A 741488 00	Assy Drum C W70
9	1	S 28101 00 04	Pin for gear	25	50	M 06102 80	Ball 5/16**
10	1	S 41442 00 41	Ratchet Gear Z26xN4	26	4	M0601803	Screw UNI EN ISO 1207:1996 - M6x35 - A4*
11	1	S 41441 00 04	Pawls Carrier Gear Z13 N4	27	1	S 41473 00 19	Stripper Arm W70
12	2	A72821800	Roller Bearing 14/20/18	28	3	M0601903	Screw M6x16 UNI1207*
13	1	S 41603 00 04	Gear Pin Ø12xØ18x52,5	29	1	S 41604 00 B1	Cover 2 Speed W70
14	1	S 41476 00 04	Idler and Pinion Z26/Z13 W70	30	1	A 941493 00	Assy Socket W70 EL/HY <i>Socket Handle W70 Washer Ø25xØ15x4 Nut Screw for Disconnect Rod O ring RC 2025 series*</i>
15	2	A 741623 00	Roll bearing 24x18x18	31	1	S 41509 00 02	Disconnect Rod W70
16	1	A 941468 00	Assy Housing W70 <i>Housing W70 Bushing Ø12xØ35x9* Heli-coil M6x9 Support Bushing W70 Bushing Ø22xØ25x8.5</i>				

\*Service kit available; see winch kit section on the website [www.harken.com](http://www.harken.com)

\*\*Winch product sticker



Hydraulic motor



Pos.	Q.ty	Code	Description
1	1	G45942000Y	Hydraulic motor "OMR50 151-0420 alb.scan. 1"
2	1	S 41500 00 80	Hydraulic Motor Spacer
3	1	A 941932 00	KIT Clutch HY Motor (OMR50)
4	1	A 941491 00	KIT HY Motor Flange (OMR50)