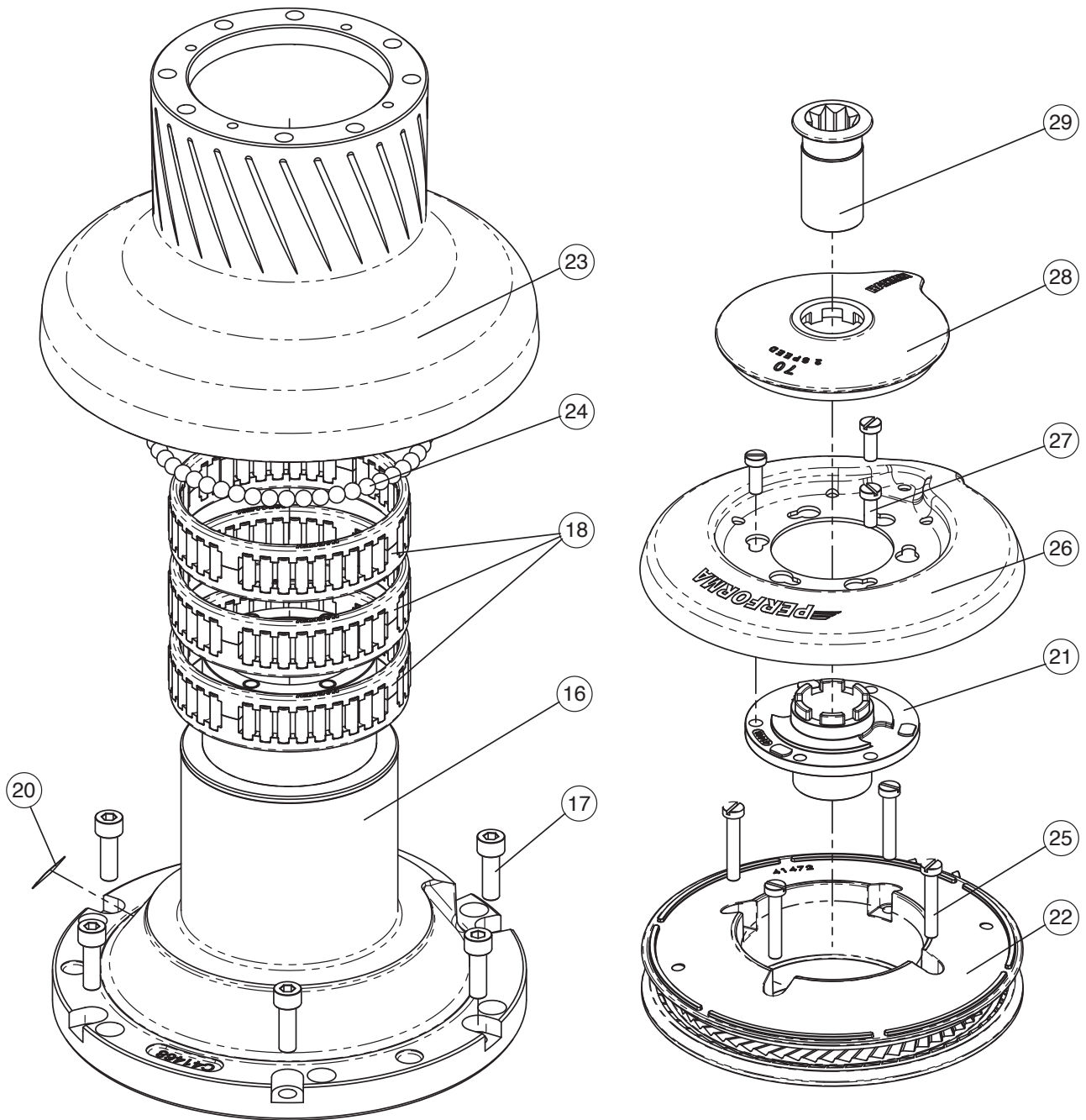
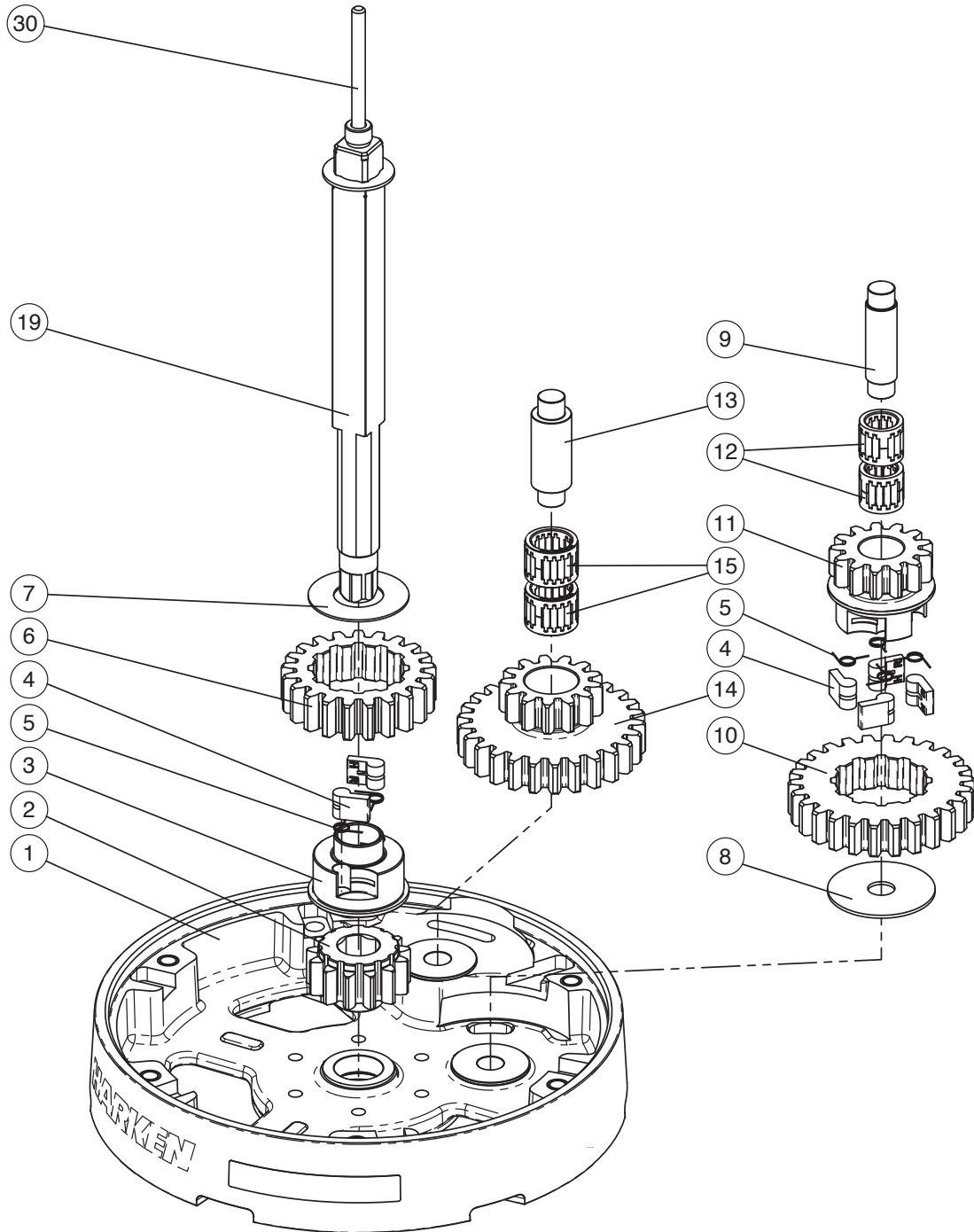


## Performa Winch 70.2 STP E/HY



## Performa Winch 70.2 STP E/HY



## Performa Winch 70.2 STP E/HY

Pos	Q.ty	Code	Description	Pos	Q.ty	Code	Description
1	1	A96645100	PERFORMA BASE ASSEMBLY W70 EL/HY <i>PERFORMA BASE W70 Heli-coil M8x10</i>	17	6	M0606303	Screw M8x25 UNI 5931
	1	S476030004	<i>Centering bushing Ø12</i>	18	3	A74147500	Roller Bearing Ø102xØ114x26
	1	S4130900A7	<i>Bushing Ø22xØ25x8.5</i>	19	1	A96753500	Assy Shaft Winch 70 EL/HY <i>Central Shaft Pred. W70</i>
	2	S415580085	<i>Bushing Ø12xØ35x9 Winch Product Sticker**</i>		1	S413880002	<i>Washer Ø17.2xØ32x1.5</i>
2	1	S414770004	Gear Z13 W70	20			Winch Serial Number Sticker
3	1	S413030004	Pawls Carrier Ø8xN2	21	1	S4144300A0	Stripper Arm Housing W60/70
4	6	S000090004	Pawl Ø8*	22	1	A96637200	PERFORMA Assy Jaws W70 <i>Lower Jaw W70</i>
5	6	S000380001	Pawl Spring Ø8*		1	S414850080	<i>Upper Jaw W70</i>
6	1	S414390041	Ratchet Gear Z21xN2		4	S018520001	<i>Peeler W60 - 70</i>
7	1	S413120002	Washer Ø22.5xØ45x1				<i>Spring</i>
8	1	S278170002	Washer Ø12.5xØ48x1.5	23	1	A76637000	PERFORMA Assy Drum Winch 70
9	1	S281010004	Pin for gear	24	50	M0610280	Ball 5/16"
10	1	S414420041	Ratchet Gear Z26xN4	25	4	M0601803	Screw UNI EN ISO 1207:1996 - M6x35 - A4
11	1	S414410004	Pawls Carrier Gear Z13 N4	26	1	S663710019	PERFORMA Black Stripper Arm W70
12	2	A72821800	Roller Bearing Ø14xØ20x18	27	3	M0601903	Screw M6x16 UNI1207
13	1	S416030004	Gear Pin Ø12xØ18x52,5	28	1	S4160400B1	Cover 2 Speed W70
14	1	S414760004	Idler and Pinion Z26/Z13 W70	29	1	A94149300	Assy Socket W35-80 EL/HY <i>Socket Handle W20/80</i>
15	2	A74162300	Roll bearing Ø24xØ18x18		1	S414940085	<i>Washer Ø25xØ15x4</i>
16	1	A94146800	Assy Housing Winch 70 <i>Housing W70 Heli-coil M6x9</i>		1	S414930003	<i>Nut Screw for Disconnect Rod</i>
	2	S415580085	<i>Bushing Ø12xØ35x9</i>		1	M0679797	<i>O ring RC 2025 series</i>
	1	S4130900A7	<i>Support Bushing W70 Bushing Ø22xØ25x8.5</i>	30	1	S415090002	Disconnect Rod W70

\*Available with service kit; see website [www.harken.com](http://www.harken.com)

\*\*Winch product sticker



Hydraulic motor

Pos	Q.ty	Code	Description	Pos	Q.ty	Code	Description
1	1	G30848000Y	Hydraulic motor W70	4	1	A94149100	KIT HY Motor Flange W46-70
2	1	S415000080	Hydraulic Motor Spacer	6	1	S415360003	Hydraulic Motorgear Flange Screw M6x16 UNI EN ISO 5931:2003 precote coating
3	1	A94193200	KIT Clutch HY Motor W46-70	6	1	M6015697	O-Ring Seal ORM 0055-10 (Ø5,5 x Ø1)
			Toothed coupling	1	1	M6007297	Lip seal Ø17xØ30x7
			Connecting Coupling Ø31.5	2	1	M0621503	Washer D.13 U1751 DIN127
	1	M0620401	Spring pin 5x40 DIN1481	2	1	M0667103	Screw M12x35 UNI5931
	1	S415010080	Bushing				
	1	S326490001	Spring				
	1	S329360082	Washer				
	1	M0635303	Screw M8x16 UNI6109				

