

Performa Winch 60.2 STP E/HY

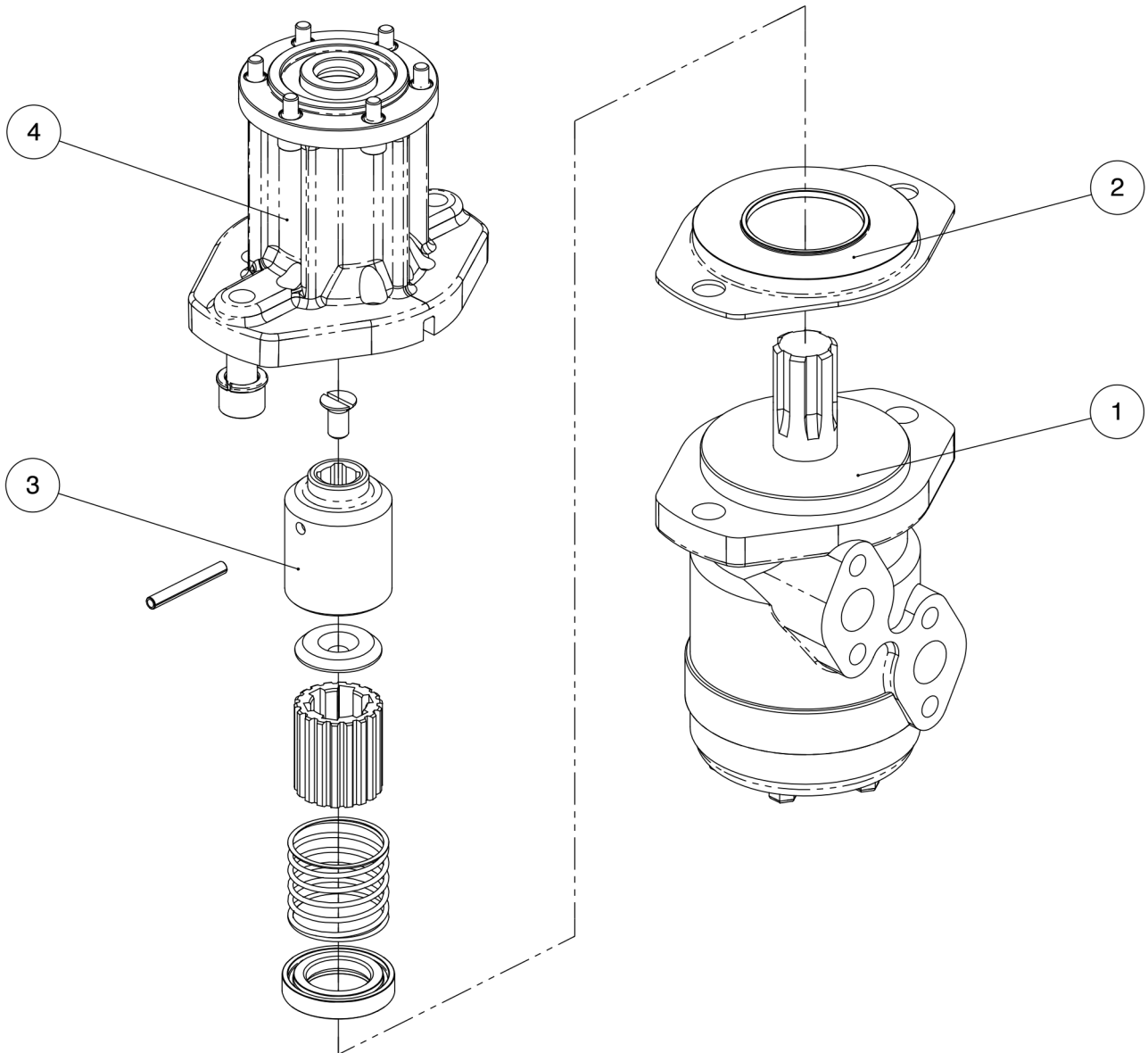
Pos	Q.ty	Code	Description	Pos	Q.ty	Code	Description
1	1	A 966451 00	PERFORMA BASE ASSEMBLY W70 EL/HY <i>PERFORMA BASE W70 Heli-coil M8x10 Centering bushing Ø12 Bushing Ø22xØ25x8.5 Bushing Ø12xØ35x9 Winch Product Sticker**</i>	17	6	M0606303	Screw M8x25 UNI 5931*
2	1	S 41477 00 04	Gear Z13 W70	18	3	A 741475 00	Roller Bearing Ø102xØ114x26*
3	1	S 41303 00 04	Pawls Carrier Ø8xN2	19	1	A 967535 00	Assy Shaft Winch 70 EL/HY <i>Central Shaft Pred. W70 Washer Ø17.2xØ32x1.5</i>
4	6	S000090004	Pawl Ø 8*	20	1	S 41876 00 63	Winch Serial Number Sticker
5	6	S 00038 00 01	Pawl Spring dia 8*	21	1	S 41443 00 A0	Stripper Arm Housing W60/70
6	1	S 41439 00 41	Ratchet Gear Z21xN2	22	1	A 966372 00	PERFORMA Assy Jaws W70 <i>Lower Jaw W70 Upper Jaw W70 Peeler W60 - 70 Spring</i>
7	1	S 41312 00 02	Washer Ø22.5xØ45x1*	23	1	A 766370 00	PERFORMA Assy Drum Winch 70
8	1	S278170002	Washer 12.5x48x1.5*	24	50	M 06102 80	Ball 5/16**
9	1	S 28101 00 04	Pin for gear	25	4	M0601803	Vite UNI EN ISO 1207:1996 - M6x35 - A4*
10	1	S 41442 00 41	Ratchet Gear Z26xN4	26	1	S 66371 00 19	PERFORMA Black Stripper Arm W70
11	1	S 41441 00 04	Pawls Carrier Gear Z13 N4	27	3	M0601903	Screw M6x16 UNI1207*
12	2	A72821800	Roller Bearing 14/20/18*	28	1	S 41604 00 B1	Cover 2 Speed W70
13	1	S 41603 00 04	Gear Pin Ø12xØ18x52,5	29	1	A 941493 00	Assieme Socket W35-80 EL/HY <i>Socket Handle W20/80 Washer ø25xø15x4 Nut Screw for Disconnect Rod O ring RC 2025 series</i>
14	1	S 41476 00 04	Idler and Pinion Z26/Z13 W70	30	1	S 41509 00 02	Disconnect Rod W70
15	2	A 741623 00	Roll bearing 24x18x18*				
16	1	A 941468 00	Assy Housing Winch 70 <i>Housing W70 Bushing Ø12xØ35x9 Heli-coil M6x9 Support Bushing W70 Bushing Ø22xØ25x8.5</i>				

*Service kit available; see winch kit section on the website www.harken.com

**Winch product sticker



Hydraulic motor



Pos	Q.ty	Code	Description
1	1	G45942000Y	Hydraulic motor "OMR50 151-0420 alb.scan. 1"
2	1	S 41500 00 80	Hydraulic Motor Spacer
3	1	A 941932 00	KIT Clutch HY Motor (OMR50)
4	1	A 941491 00	KIT HY Motor Flange (OMR50)