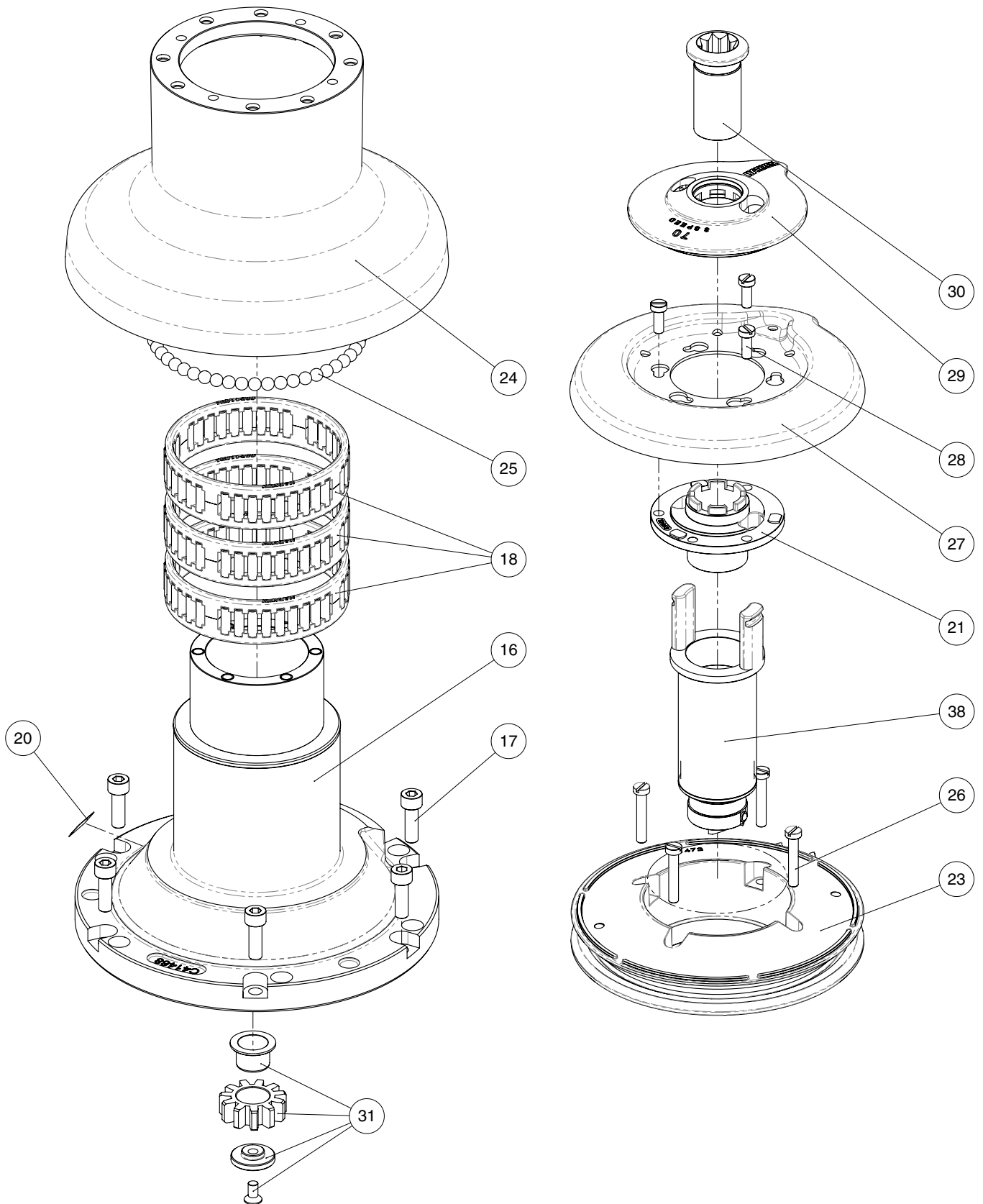
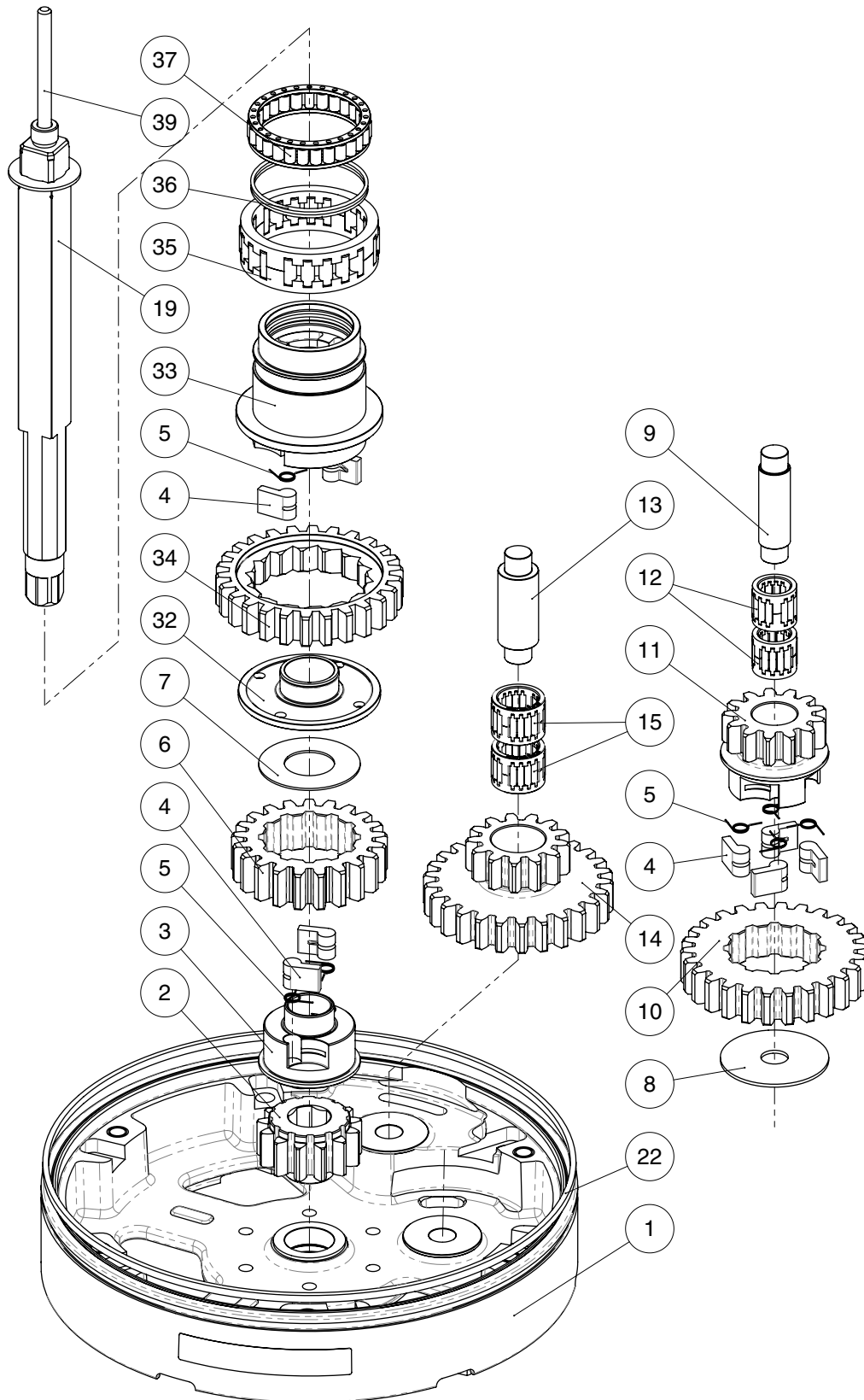


Radial Winch 70.3 STBBB, STCCC

Radial Winch 70.3 STBBB, STCCC

Radial Winch 70.3 STBBB

BBB = all bronze

Pos.	Q.ty	Code	Description	Pos.	Q.ty	Code	Description
1	1	A96908800	Assy Base Winch 70 B EL/HY <i>Base W70 Heli-coil M8x10</i>	22	1	S281700097	Red line
	1	S690880043	<i>Cover for base W70 BBB</i>	23	1	A96924400	Assy Jaws winch 70 ST BBB <i>Lower Jaw W70 BBB Upper Jaw W70</i>
	1	S476030004	<i>Centering bushing Ø12</i>		1	S414850080	<i>Peeler W60 - 70</i>
	1	S4130900A7	<i>Bushing Ø22xØ25x8.5</i>		4	S385970001	<i>SPRING</i>
	2	S415580085	<i>Bushing Ø12xØ35x9</i> <i>Winch Product Sticker**</i>	24	1	A76924300	Assy Drum Winch 70 BBB
2	1	S414770004	Gear Z13 W70	25	50	M0610280	Ball 5/16"
3	1	S413030004	Pawls Carrier Ø8xN2	26	4	M0601803	Screw UNI EN ISO 1207:1996 - M6x35 - A4
4	8	S000080003	Pawl Ø8*	27	1	S692450047	Stripper Arm W70 BBB
5	8	S000380001	Pawl Spring Ø8*	28	3	M0601903	Screw M6x16 UNI1207
6	1	S414390041	Ratchet Gear Z21xN2	29	1	A76924700	Cover W70.3 Assembly BBB
7	1	S413120002	Washer Ø22.5xØ45x1	30	1	A94191400	Assy Socket Handle Winch 3speed EL/HY <i>Socket Handle 3 speed</i>
8	1	S278170002	Washer Ø12.5xØ48x1.5		1	S414940085	<i>Washer Ø25xØ15x4</i>
9	1	S281010004	Pin for gear		1	S414930003	<i>Nut Screw for Disconnect Rod</i>
10	1	S414420041	Ratchet Gear Z26xN4		1	M0679797	<i>O ring RC 2025 series</i>
11	1	S414410004	Pawls Carrier Gear Z13 N4	31	1	A94145300	Assy Gear 3rd speed
12	2	A72821800	Roller Bearing Ø14xØ20x18		1	S414530004	<i>Idler Gear 3 speed</i>
13	1	S416030004	Gear Pin Ø12xØ18x52,5		1	S414550081	<i>Bushing Ø22xØ25x15.5</i>
14	1	S414760004	Idler and Pinion Z26/Z13 W70		1	S414540080	<i>Washer 3 speed</i>
15	2	A74162300	Roll bearing Ø24xØ18x18		1	M0604003	<i>Screw M6x12 UNI 5933</i>
16	1	A94190900	Assy Housing Winch 70.3 <i>Housing W70 Heli-coil M6x9</i>	32	1	S414580081	Shim Bushing 3 speed
	2	S415580085	<i>Bushing Ø12xØ35x9</i>	33	1	S415400004	Pawls Carrier 3 speed
	1	S415410081	<i>Bushing 3 speed</i>	34	1	S280870041	Gear 1V
17	6	M0606303	Screw M8x25 UNI 5931	35	1	A73129200	ROLLER BEARING 50-62-20 ERTA P
18	3	A74147500	Roller Bearing Ø102xØ114x26	36	1	S377510001	Clutch Spring
19	1	A96753500	Assy Shaft Winch 70 EL/HY <i>Central Shaft Pred. W70</i>	37	1	A73422600	Bearing 45x55x12
	1	S413880002	<i>Washer Ø17.2xØ32x1.5</i>	38	1	A94153700	Assy Clutch 3rd speed W70 <i>Assy Command tube W70</i>
20			Winch Serial Number Sticker		1	S415420004	<i>Dog Clutch 3 speed</i>
21	1	S4155700A0	Stripper arm support		2	M6009463	<i>Spring loaded ball plunger Ø6</i>
				39	1	S419030002	Disconnect rod W70.3

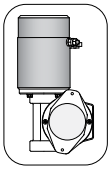
*Available with service kit; see website www.harken.com

**Winch product sticker

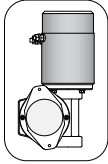


Horizontal electric motor 12V / 24V

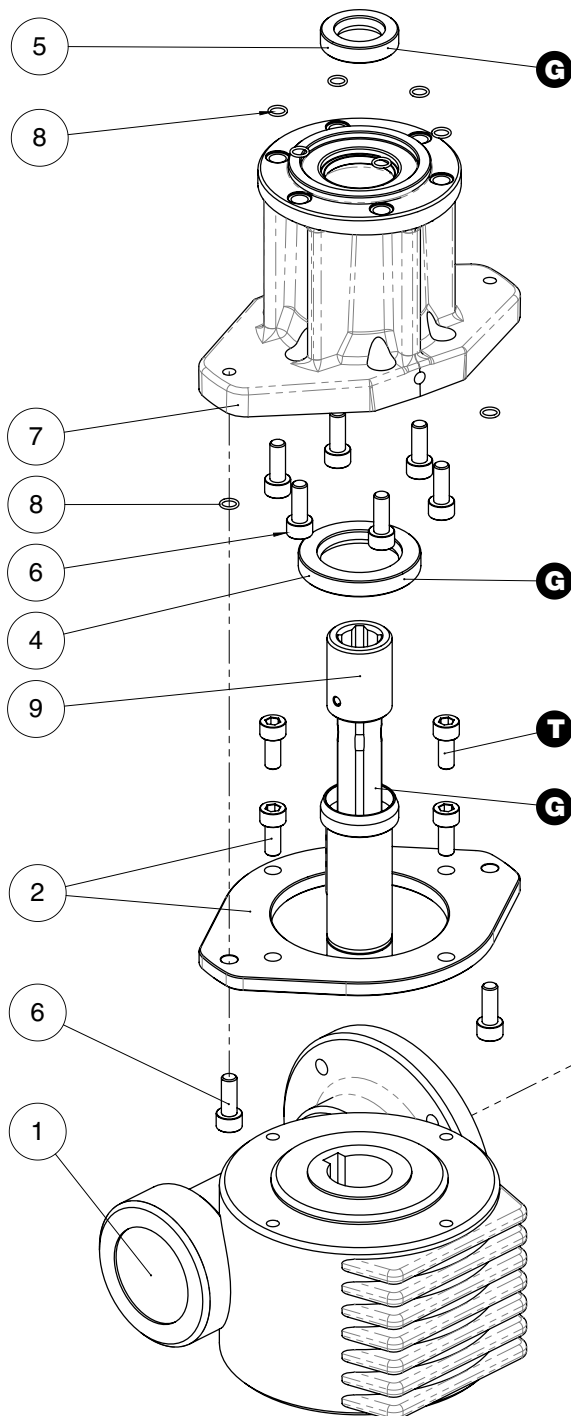
TOP VIEW



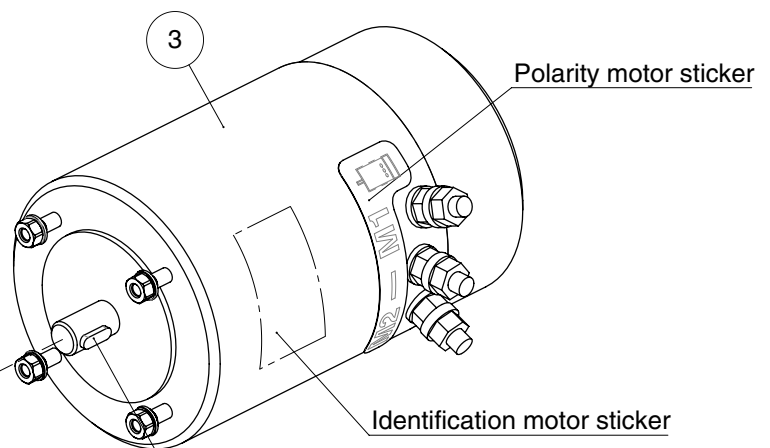
* **Motor installed in right-hand configuration.**



** **Motor installed in left-hand configuration.**



Pos.	Q.ty	Code	Description
1	1	A93127900	KIT Gear Reduction 1/24
	1	A94194900	KIT LM Gear Reduction 1/24
2	1	A94149200	KIT Assy Electric Motor Flange
	1	A94149200L	KIT Assy Electric Motor Flange Left
	4	M0606803	Electric Motor Flange Screw M6x14 UNI 5931
3	1	A96010700	KIT EL Motor 12V 1,5kW
	1	A96010600	KIT EL Motor 24V 2kW
			Electric Motor Polarity motor sticker Screw stud M6x26 Washer Ø6 Nut M6 UNI5588 Key DIN 6885 5x5x15
4	1	M0612097	Sealer Ø30xØ47x7
5	1	M6007297	Lip seal Ø17xØ30x7
6	8	S415360003	Screw M6x16 UNI EN ISO 5931:2003 precote coating
7	1	S496650053	Horizontal Motorgear Flange
8	8	M6015697	O-Ring Seal ORM 0055-10 (Ø5,5 x Ø1)
9	1	A96589000	Performa KIT EL HO Motor Clutch Shaft Motorgear HO Performa HO Gear Motor Shaft Hub GearMotor
	1	M0601402	Dowel UNI EN ISO 8752:2000- Ø4x24
	1	M6020097	O-ring 19.1x1.6
	1	S418620001	Disconnect spring
	1	S414050080	Flange GearMotor Shaft HO
	1	M6010303	Key 8x5x40 UNI 7511



- A** Anti-seize
- G** Harken® Grease
- T** Axial Threadlocker