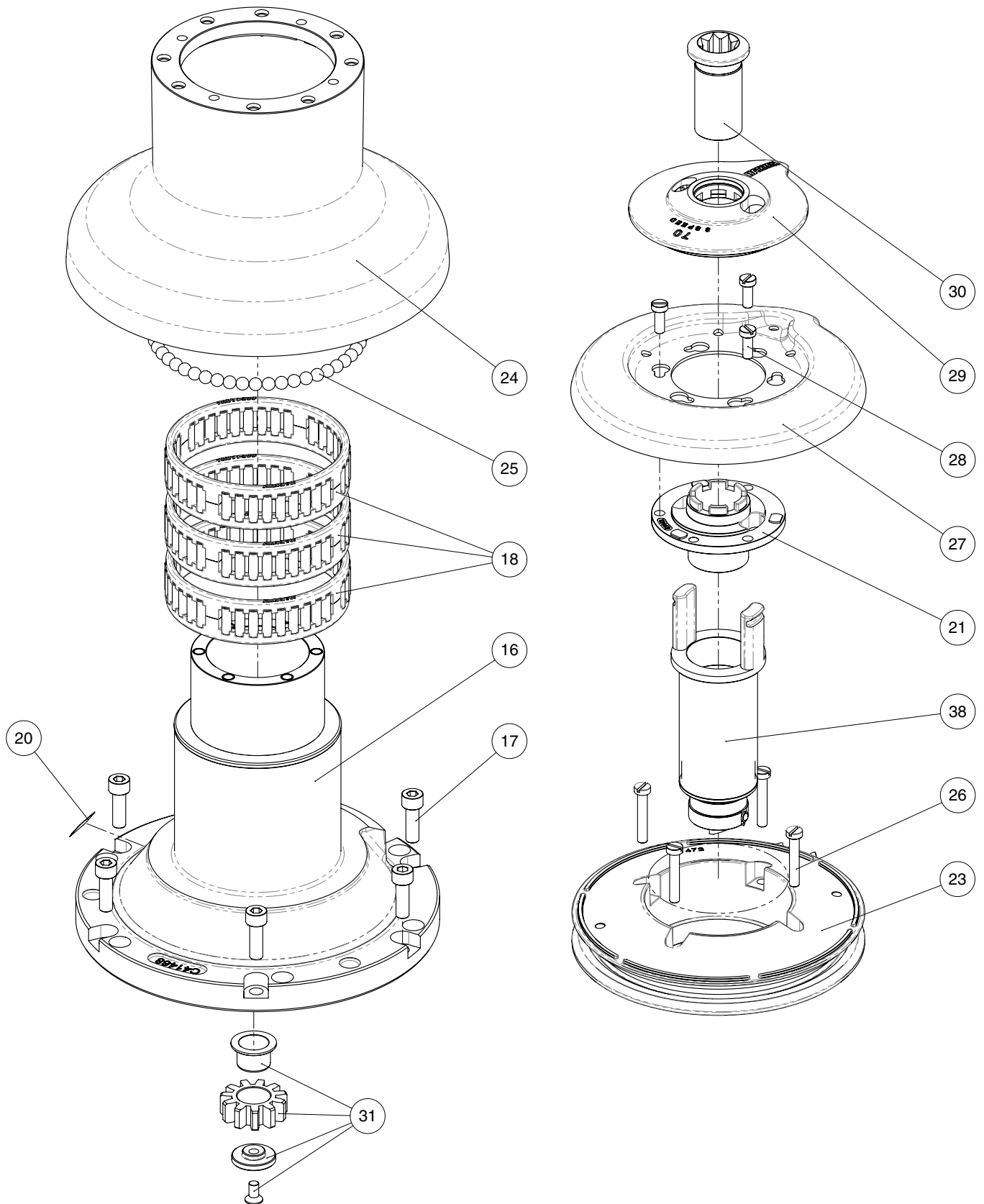
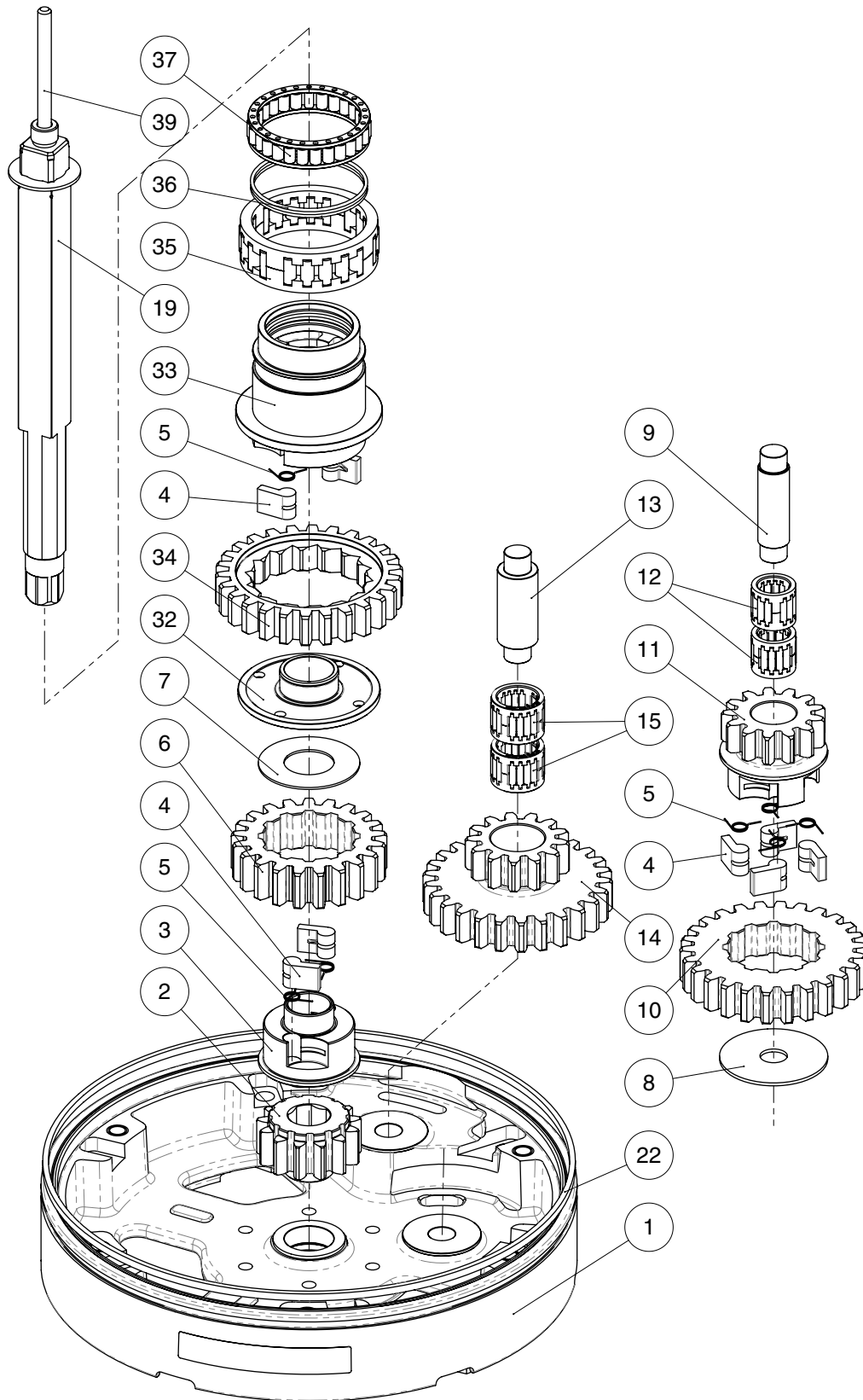


Radial Winch 70.3 STBBB, STCCC

Radial Winch 70.3 STBBB, STCCC

Radial Winch 70.3 STCCC

CCC = All-Chrome bronze

Pos.	Q.ty	Code	Description	Pos.	Q.ty	Code	Description
1	1	A96909200	Assy Base Winch 70 C EL/HY <i>Base W70 Heli-coil M8x10</i>	22	1	S281700097	Red line
	1	S690920043	<i>Cover for base W70 CCC</i>	23	1	A96812300	Assy Jaws winch 70 <i>Lower Jaw W70 CCC Upper Jaw W70 RAL9003</i>
	1	S476030004	<i>Centering bushing Ø12</i>		1	S414850080W	<i>Peeler W60 - 70 RAL9003</i>
	1	S4130900A7	<i>Bushing Ø22xØ25x8.5</i>		4	S385970001	<i>SPRING</i>
	2	S415580085	<i>Bushing Ø12xØ35x9</i>	24	1	A74148800	Assy Drum Winch 70 W
			<i>Winch Product Sticker**</i>	25	50	M0610280	Ball 5/16"
2	1	S414770004	Gear Z13 W70	26	4	M0601803	Screw UNI EN ISO 1207:1996 - M6x35 - A4
3	1	S413030004	Pawls Carrier Ø8xN2	27	1	S414730019	Stripper Arm W70
4	8	S000080003	Pawl Ø8*	28	3	M0601903	Screw M6x16 UNI1207
5	8	S000380001	Pawl Spring Ø8*	29	1	A76924600	Assy cover W70.3 CCC
6	1	S414390041	Ratchet Gear Z21xN2	30	1	A94191400	Assy Socket Handle Winch 3speed EL/HY <i>Socket Handle 3 speed</i>
7	1	S413120002	Washer Ø22.5xØ45x1		1	S414940085	<i>Washer Ø25xØ15x4</i>
8	1	S278170002	Washer Ø12.5xØ48x1.5		1	S414930003	<i>Nut Screw for Disconnect Rod</i>
9	1	S281010004	Pin for gear		1	M0679797	<i>O ring RC 2025 series</i>
10	1	S414420041	Ratchet Gear Z26xN4	31	1	A94145300	Assy Gear 3rd speed
11	1	S414410004	Pawls Carrier Gear Z13 N4		1	S414530004	<i>Idler Gear 3 speed</i>
12	2	A72821800	Roller Bearing Ø14xØ20x18		1	S414550081	<i>Bushing Ø22xØ25x15.5</i>
13	1	S416030004	Gear Pin Ø12xØ18x52,5		1	S414540080	<i>Washer 3 speed</i>
14	1	S414760004	Idler and Pinion Z26/Z13 W70		1	M0604003	<i>Screw M6x12 UNI 5933</i>
15	2	A74162300	Roll bearing Ø24xØ18x18	32	1	S414580081	Shim Bushing 3 speed
16	1	A94190900	Assy Housing Winch 70.3 <i>Housing W70 Heli-coil M6x9</i>	33	1	S415400004	Pawls Carrier 3 speed
	2	S415580085	<i>Bushing Ø12xØ35x9</i>	34	1	S280870041	Gear 1V
	1	S415410081	<i>Bushing 3 speed</i>	35	1	A73129200	ROLLER BEARING 50-62-20 ERTA P
17	6	M0606303	Screw M8x25 UNI 5931	36	1	S377510001	Clutch Spring
18	3	A74147500	Roller Bearing Ø102xØ114x26	37	1	A73422600	Bearing 45x55x12
19	1	A96753500	Assy Shaft Winch 70 EL/HY <i>Central Shaft Pred. W70</i>	38	1	A94153700	Assy Clutch 3rd speed W70 <i>Assy Command tube W70</i>
	1	S413880002	<i>Washer Ø17.2xØ32x1.5</i>		1	S415420004	<i>Dog Clutch 3 speed</i>
20			Winch Serial Number Sticker		2	M6009463	<i>Spring loaded ball plunger Ø6</i>
21	1	S4155700A0	Stripper arm Housing	39	1	S419030002	Disconnect rod W70.3

*Available with service kit; see website www.harken.com

**Winch product sticker



Hydraulic motor

Pos.	Q.ty	Code	Description	Pos.	Q.ty	Code	Description
1	1	G30848000Y	Hydraulic motor W70	4	1	A94149100	KIT HY Motor Flange W46-70
2	1	S415000080	Hydraulic Motor Spacer				<i>Hydraulic Motorgear Flange</i>
3	1	A94193200	KIT Clutch HY Motor W46-70	6		S415360003	<i>Screw M6x16 UNI EN ISO 5931:2003 precote coating</i>
			<i>Toothed coupling</i>	6		M6015697	<i>O-Ring Seal ORM 0055-10 (Ø5,5 x Ø1)</i>
	1	M0620401	<i>Connecting Coupling Ø31.5</i>	1		M6007297	<i>Lip seal Ø17xØ30x7</i>
	1	S415010080	<i>Spring pin 5x40 DIN1481</i>	2		M0621503	<i>Washer D.13 U1751 DIN127</i>
	1	S326490001	<i>Bushing</i>	2		M0667103	<i>Screw M12x35 UNI5931</i>
	1	S329360082	<i>Spring</i>				
	1	M0635303	<i>Washer</i>				
	1		<i>Screw M8x16 UNI6109</i>				

