

## Performa Winch 70.3 STP E/HY

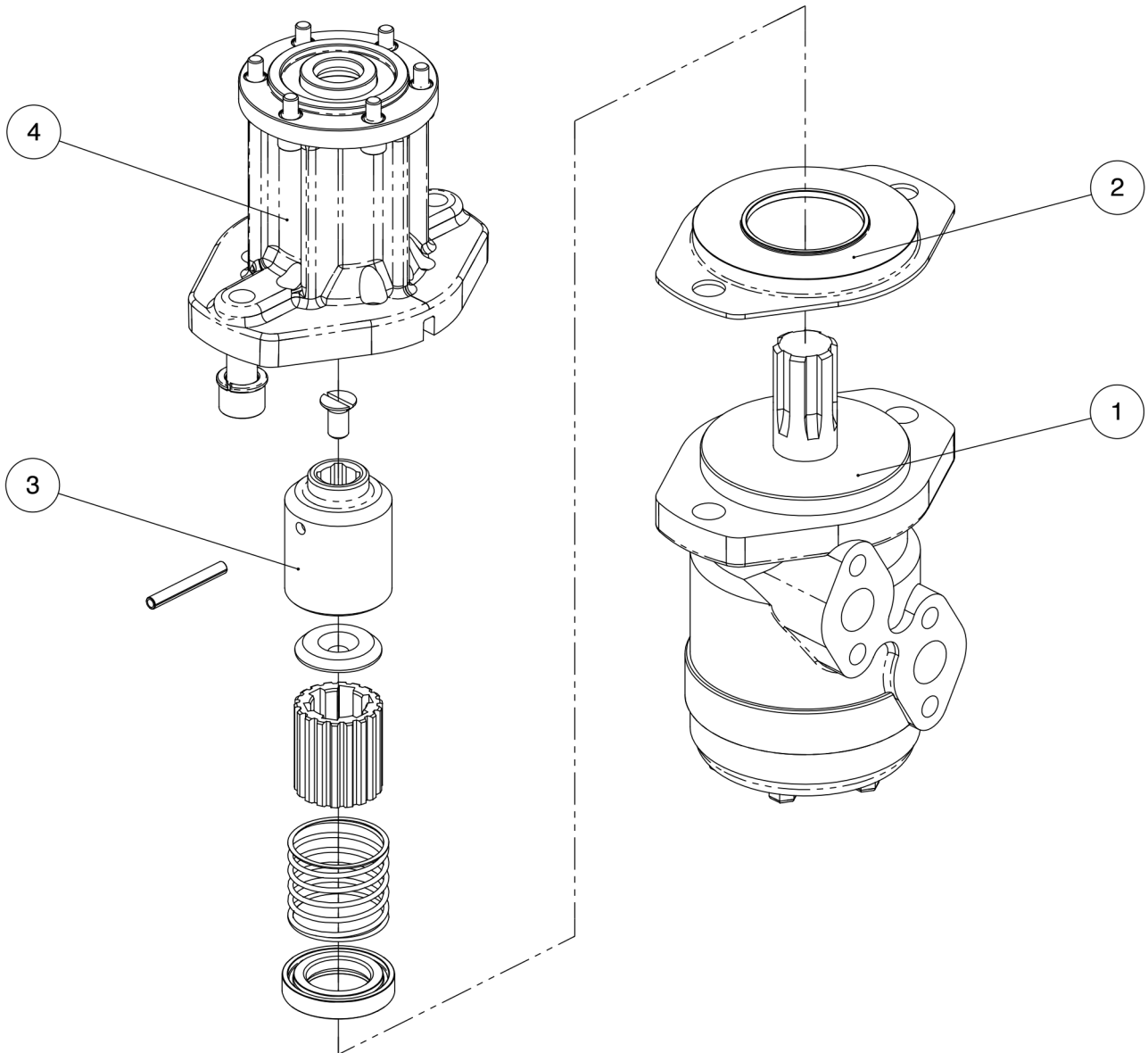
Pos	Q.ty	Code	Description	Pos	Q.ty	Code	Description
1	1	A 966451 00	PERFORMA BASE ASSEMBLY W70 EL/HY <i>PERFORMA BASE W70 Heli-coil M8x10 Centering bushing Ø12 Bushing Ø22xØ25x8.5* Bushing Ø12xØ35x9* Winch Product Sticker**</i>	21	1	S 41557 00 A0	Stripper arm support
2	1	S 41477 00 04	Gear Z13 W70	22	1	A 966372 00	PERFORMA Assy Jaws W70 <i>Lower Jaw W70 Upper Jaw W70 Peeler W60 - 70 Spring</i>
3	1	S 41303 00 04	Pawls Carrier Ø8xN2	23	1	A 766370 00	PERFORMA Assy Drum Winch 70
4	8	S000090004	Pawl Ø 8	24	50	M 06102 80	Ball 5/16**
5	8	S 00038 00 01	Pawl Spring dia 8	25	4	M0601803	Vite UNI EN ISO 1207:1996 - M6x35 - A4*
6	1	S 41439 00 41	Ratchet Gear Z21xN2	26	1	S 66371 00 19	PERFORMA Black Stripper Arm W70
7	1	S 41312 00 02	Washer Ø22.5xØ45x1*	27	3	M0601903	Screw M6x16 UNI1207*
8	1	S278170002	Washer 12.5x48x1.5*	28	1	S 41555 00 B1	Cover 3 speed W70
9	1	S 28101 00 04	Pin for gear	29	1	A 941914 00	Assy Socket Handle Winch 3spd EL/HY <i>Socket Handle 3 speed Washer ø25xø15x4 Nut Screw for Disconnect Rod O ring RC 2025 series</i>
10	1	S 41442 00 41	Ratchet Gear Z26xN4	30	1	A 941453 00	Assy Gear 3rd speed <i>Idler Gear 3 speed Bushing Ø22/Ø25x15.5 Washer 3 velocità Screw M6x12 UNI 5933</i>
11	1	S 41441 00 04	Pawls Carrier Gear Z13 N4	31	1	S 41458 00 81	Shim Bushing 3 speed*
12	2	A72821800	Roller Bearing 14/20/18	32	1	S 41540 00 04	Pawls Carrier 3 speed
13	1	S 41603 00 04	Gear Pin Ø12xØ18x52,5	33	1	S280870041	Gear 1V
14	1	S 41476 00 04	Idler and Pinion Z26/Z13 W70	34	1	A73129200	ROLLER BEARING 50-62-20 ERTA P*
15	2	A 741623 00	Roll bearing 24x18x18	35	1	S 37751 00 01	Clutch Spring
16	1	A 941909 00	Assy Housing Winch 70.3 <i>Housing W70 Bushing Ø12xØ35x9* Heli-coil M6x9 Bushing 3 speed</i>	36	1	A73422600	Bearing 45x55x12*
17	6	M0606303	Screw M8x25 UNI 5931	37	1	A 941537 00	Assy Clutch 3rd spd W70 <i>Assy Command tube W70 Dog Clutch 3 speed Spring loaded ball plunger Ø6</i>
18	3	A 741475 00	Roller Bearing Ø102xØ114x26*	38	1	S 41903 00 02	Disconnect rod W70.3
19	1	A 967535 00	Assy Shaft Winch 70 EL/HY <i>Central Shaft Pred. W70 Washer Ø17.2xØ32x1.5</i>				
20	1	S 41876 00 63	Winch Serial Number Sticker				

\*Service kit available; see winch kit section on the website [www.harken.com](http://www.harken.com)

\*\*Winch product sticker



Hydraulic motor



Pos	Q.ty	Code	Description
1	1	G45942000Y	Hydraulic motor "OMR50 151-0420 alb.scan. 1"
2	1	S 41500 00 80	Hydraulic Motor Spacer
3	1	A 941932 00	KIT Clutch HY Motor (OMR50)
4	1	A 941491 00	KIT HY Motor Flange (OMR50)