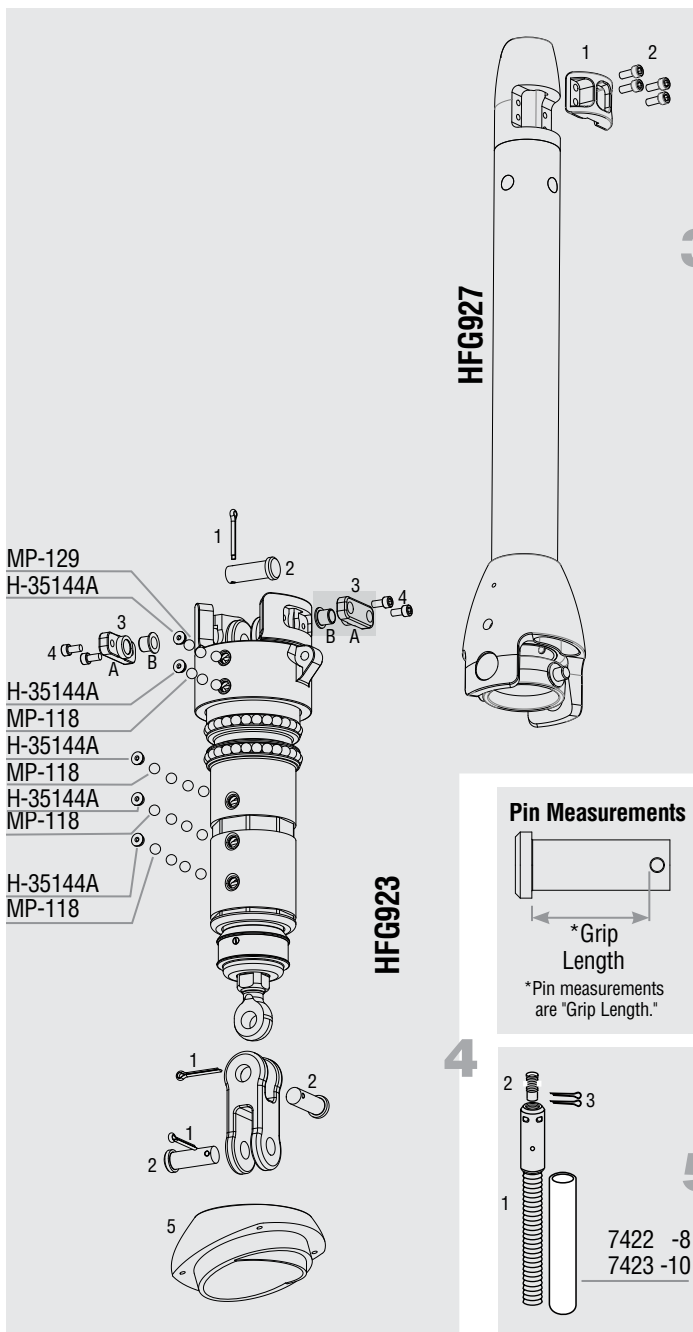
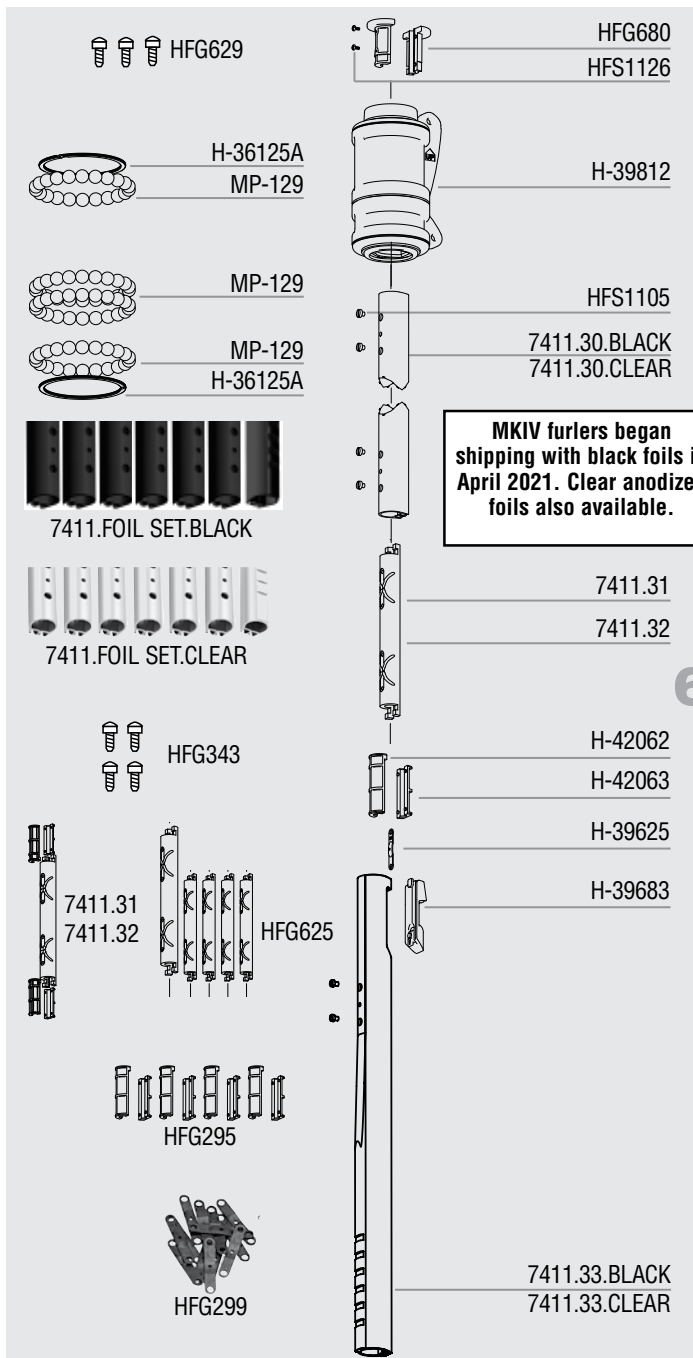


No.	Description	Order	Part No.
<b>1</b>	<b>Top Cover Assembly w/Screws</b>	<b>1</b>	<b>HFG683</b>
	Top Cover	2	H-38817
	Top Cover Screw (M4 x .7 x 10MM)	2	HFS980
<b>2</b>	<b>Bottom Flange Assembly w/Screws</b>	<b>1</b>	<b>HFG684</b>
	Flange	2	H-38818
	Bottom Flange Screw (M4 x .7 x 10MM)	2	HFS980
<b>3</b>	<b>Guard Assembly</b>	<b>1</b>	<b>HFG685</b>
	Guard Set	2	H-38293
	Guard Screw (M6 x 1 x 40MM SHCS)	2	HFS1052
<b>4</b>	<b>Torque Tube Assembly</b>	<b>1</b>	<b>HFG927</b>
	1 Clamp	1	H-42954
	2 Clamp Screw (M5 x .08 x 12MM SHCS)	4	HFS827
<b>5</b>	<b>Hub Assembly</b>	<b>1</b>	<b>HFG923</b>
	1 Cotter Pin (5/32" x 1.250")	4	HFS203
	2 Clevis Pin (1/2" x 1.146")	4	H-42395
	3 Bearing Cap w/Insert	2	HFG931
	A Bearing Cap	1	AL-8101
	B IGUS® Bushing	1	H-43838
	4 Socket Head Cap Screws (M5 x .8 x 10MM)	4	HFS334
	Ball Plug	5	H-35144A
	Torlon® Ball Bearing (5/16")	28	MP-129
	Delrin® Ball Bearing (5/16")	134	MP-118
5 Deck Flange	1	H-42461	



UNIT 1

No.	Description	Order	Part No.
<b>5</b>	<b>Rod Adapter Stud (-8) w/Nosepiece</b>	<b>1</b>	<b>7422 -8</b>
	1 Stud (Main Body)	1	H-41536
	2 Nosepiece (-8)	1	H-41534
<b>5</b>	<b>Rod Adapter Stud (-10) w/Nosepiece</b>	<b>1</b>	<b>7423 -10</b>
	1 Stud (Main Body)	1	H-41536
	2 Nosepiece (-10)	1	H-41535
<b>5</b>	3 Cotter Pin (3/32" x 1")	2	HFG193
	3 Cotter Pin (3/32" x 1")	2	HFG193



**MKIV furlers began shipping with black foils in April 2021. Clear anodized foils also available.**

UNIT 1

Description	Order	Part No.
<b>Trim Cap Set w/o Screws</b>	<b>1</b>	<b>HFG680</b>
<b>Trim Cap Screw Set</b>	<b>1</b>	<b>HFG629</b>
Trim Cap Screw	3	HFS1126
<b>Halyard Swivel w/o Shackles</b>	<b>1</b>	<b>H-39812</b>
Torlon® Ball Bearings	96	MP-129
Clip/Smalley Ring	2	H-36125A
<b>Foil Set, Black</b>	<b>7411.FOILSET.BLACK</b>	
Foil (7' / 2.13 m) Luff, <b>Black Anodized</b>	6	7411.30.BLACK
Foil (2' / 610 mm) Bottom, <b>Black Anodized</b>	1	7411.33.BLACK
<b>Foil Set, Clear - (Special Order)</b>	<b>7411.FOILSET.CLEAR</b>	
Foil (7' / 2.13 m) Luff, <b>Clear Anodized</b>	6	7411.30.CLEAR
Foil (2' / 610 mm) Bottom, <b>Clear Anodized</b>	1	7411.33.CLEAR
<b>Foil Screw Set</b>	<b>1</b>	<b>HFG343</b>
Foil Screw	30	HFS1105
<b>Connector Set w/o Bushings</b>	<b>1</b>	<b>HFG625</b>
Connector (7" / 178 mm)	5	—
Connector Bottom (10.75" / 273 mm)	1	—
<b>Connector Bushing Set</b>	<b>1</b>	<b>HFG295</b>
Connector Bushing (Curved / Longer)	12	H-42062
Connector Bushing (Flat / Shorter)	12	H-42063
<b>Connector w/Bushings, Foil Screws, and Wedges</b>	<b>1</b>	<b>7411.31</b>
Connector (7" / 178 mm)	1	—
Connector Bushing (Curved / Longer)	2	—
Connector Bushing (Flat / Shorter)	2	—
Foil Screw	4	—
Connector Wedge	2	—
<b>Connector w/Bushings Bottom</b>	<b>1</b>	<b>7411.32</b>
Connector Bottom (10.75" / 273 mm)	1	—
Connector Bushing (Curved / Longer)	2	—
Connector Bushing (Flat / Shorter)	2	—
<b>Connector Wedge Set</b>	<b>1</b>	<b>HFG299</b>
Connector Wedge	14	H-39625
<b>Feeder Set</b>	<b>1</b>	<b>H-39683</b>
Feeder	1	H-35623B
Feeder Screw	1	HFS1129
Tab	1	H-35666A

Description	Order	Part No.
<b>Instruction Manual</b>	<b>1</b>	<b>4656</b>
<b>Prefeeder</b>	<b>1</b>	<b>947</b>
<b>Loctite® Blue</b>	<b>1</b>	<b>833</b>
<b>Loctite® Red</b>	<b>2</b>	<b>HFG739</b>
<b>5200 Adhesive Set</b>	<b>1</b>	<b>HFG725</b>
5200 Marine Adhesive Sealant	1	HFG722
Injector	1	HFG200 HFG201
<b>Hex Keys</b>		
5 mm	1	HFG643
4 mm	1	HFG640
2.5 mm	1	HCP1387

Description	Order	Part No.
<b>Lead Block Kit</b>	<b>1</b>	<b>7404</b>
29 mm Outboard Lead Assembly	3	7403
57 mm Carbo Ratchet Assembly	1	7402
40 mm Carbo Assembly	1	7401
Horn Cleat	1	HCP168
<b>Additional Lead Blocks</b>		
29 mm Carbo Stand-Up Fixed	1	349
Big Bullet Thru-Deck	1	131
<b>Shackle (6 mm)</b>	<b>3</b>	<b>2110</b>
<b>Halyard Restrainer</b>	<b>1</b>	<b>945</b>
Sheave/SS Inner Race Only	1	945ASSY
Clevis Pin (5/16" x 1/4")	1	SP-038
Bracket-Large	1	HCP394
Cotter Pin (3/32" x 3/4")	1	HFS181
<b>Halyard Deflector</b>	<b>1</b>	<b>7302</b>