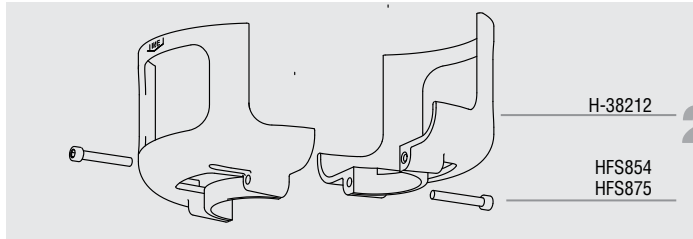


HFS1091

H-38819

HFS1091

H-38820



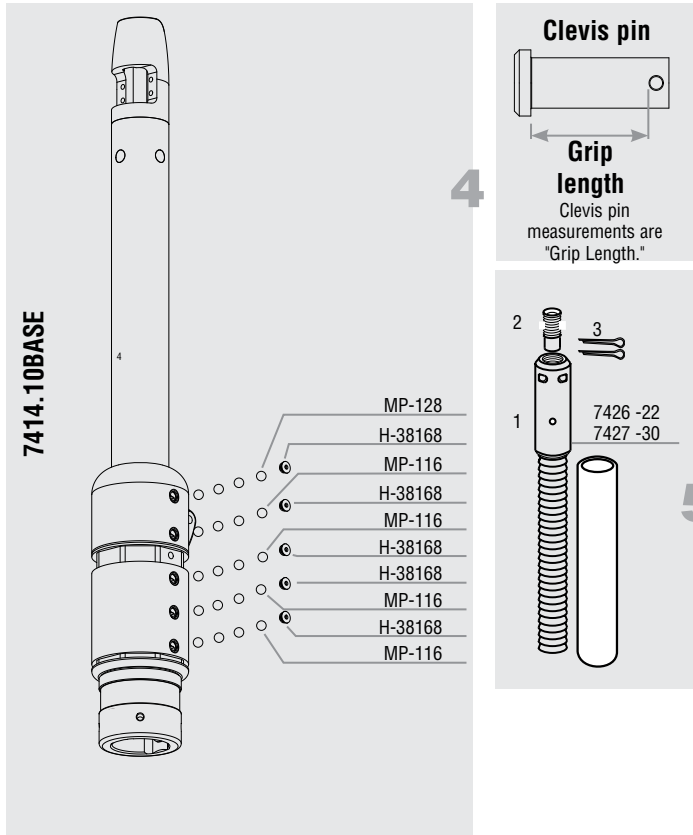
H-38212

HFS854
HFS875

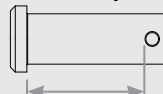


HFS1107

H-45498

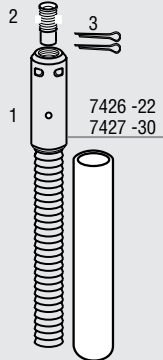


Clevis pin



Grip length

Clevis pin measurements are "Grip Length."



7426 -22
7427 -30

7414.10BASE

MP-128

H-38168

MP-116

H-38168

MP-116

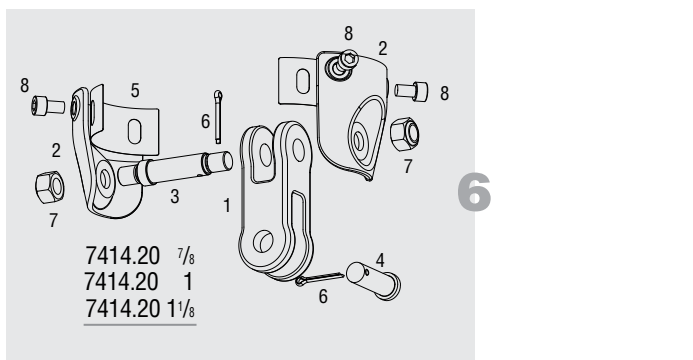
H-38168

H-38168

MP-116

H-38168

MP-116



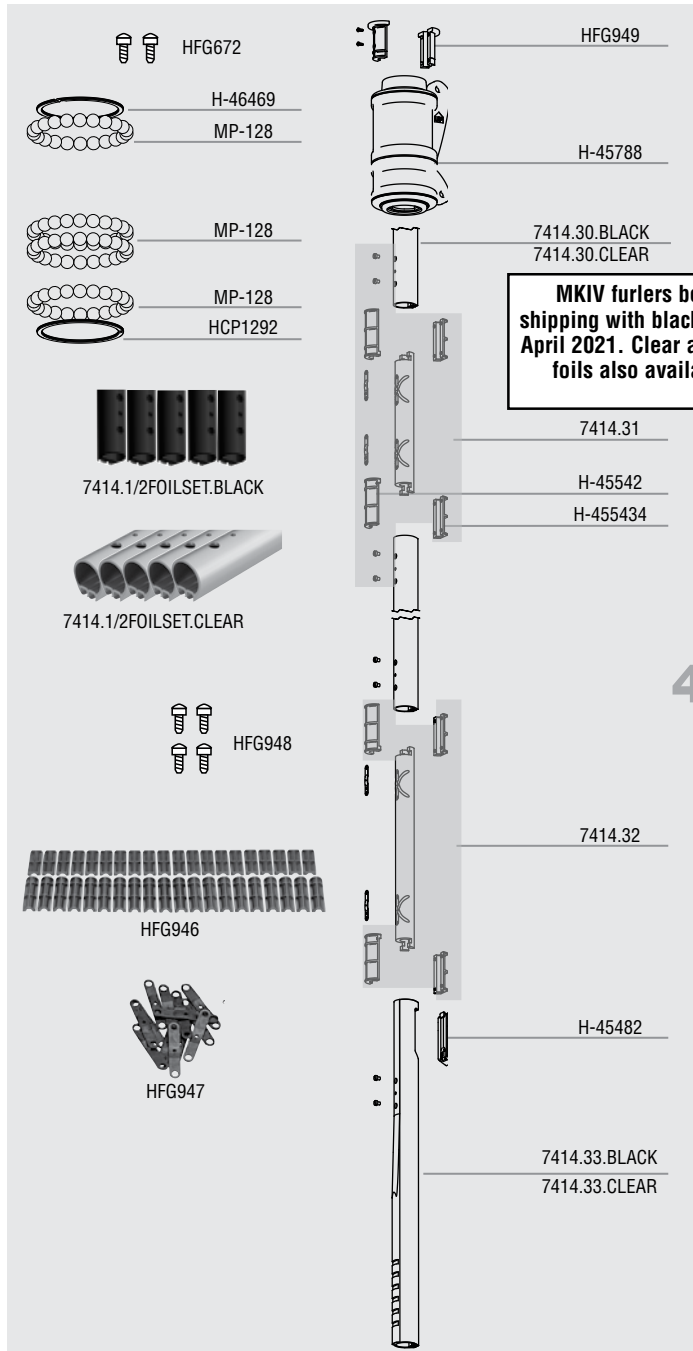
7414.20 7/8
7414.20 1
7414.20 1 1/8

	Description	Order	Part No.
1	Top cover	2	H-38819
	Top cover screw	2	HFS1091
	Bottom flange	2	H-38820
	Bottom flange screw	2	HFS1091
2	Guard	2	H-38212
	Guard screw (FST-M12X1.75X70MM SHCS)	2	HFS1110
3	Clamp	1	H-45498
	Clamp screw (FST-M8X1.25X25MM SHCS A4 SS)	4	HFS1107
4	Hub assembly	1	7414.10BASE
	Ball plugs	5	H-38168
	Torlon® ball bearing (1/2")	25	MP-128
	Delrin® ball bearing (1/2")	97	MP-116

UNIT 4

No.	Description	Order	Part No.
5	Rod adapter stud (-30) w/nosepiece	1	7427 -30
	1 Stud (main body)	1	H-41814
	2 Nosepiece -30	1	H-41813
	3 Cotter pin (3/32 x 1.750)	2	HFG319
	4 Stud cap 7/8" ID	1	HFG303
5	Rod adapter stud (-40) w/nosepiece	1	7428 -40
	1 Stud (main body)	1	H-47146
	2 Nosepiece -40	1	H-47131
	3 Cotter pin (3/32 x 1.750)	2	HFG319
5	Rod adapter stud (-48) w/nosepiece	1	7429 -48
	1 Stud (main body)	1	H-47147
	2 Nosepiece -48	1	H-47132
	3 Cotter pin (3/32 x 1.750)	2	HFG319

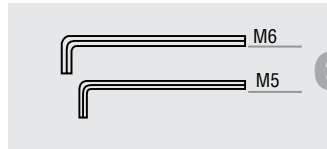
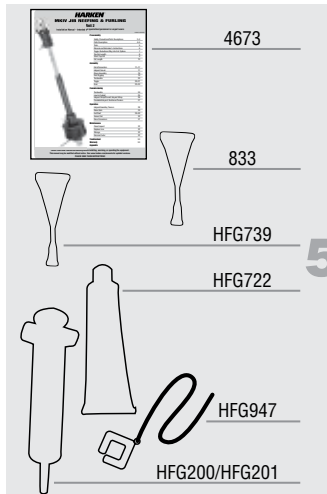
No.	Description	Order	Part No.
6	Jaw/jaw toggle with short link plates	1	7414.20 7/8
	1 Toggle	1	H-42562
	2 Plates	2	H-45449
	3 Crosspin	1	H-45439
	4 Clevis pin (7/8" X 1.958" 302SS)	1	H-42404
	5 Isolator	2	H-46403
	6 Cotter pin (5/32" X 1.250 18-8)	2	HFS203
	7 Nylon locking nut	2	HFS1122
6	Jaw/jaw toggle with short link plates	1	7414.20 1
	1 Toggle	1	H-45427
	2 Plates	2	H-45449
	3 Crosspin	1	H-45440
	4 Clevis pin (1" X 2.231" A4 SS)	1	H-45435
	5 Isolator	2	H-46403
	6 Cotter pin (3/16" X 2 SS 316)	2	HFG743
	7 Nylon locking nut	2	HFS1122
6	Jaw/jaw toggle with short link plates	1	7414.20 1 1/8
	1 Toggle	1	H-45428
	2 Plates	2	H-45449
	3 Crosspin	1	H-45441
	4 Clevis pin (1.125" X 2.526" A4 SS)	1	H-45436
	5 Isolator	2	H-46403
	6 Cotter pin (3/16" X 2 SS 316)	2	HFG743
	7 Nylon locking nut	2	HFS1122
6	8 Socket head cap screw	4	HFS1177



4

Description	Order	Part No.
Trim cap set w/o screws	1	HFG949
Trim cap screw set	1	HFG672
Trim cap screw	2	HFS1127
Halyard swivel	1	H-45788
Clip/smallley ring for balls	1	H-46469
Clip/smallley ring for liners	1	HCP1292
Torlon® ball bearings (1/2")	100	MP-128
Foil set, less bottom foil - Standard	2	7414.1/2FOILSET.BLK
Foil (7' / 2.13 m luff) - Standard	10	7414.30.BLACK
Foil (2' / 610 mm) bottom - Standard	1	7414.33.BLACK
Foil set, less bottom foil - (Special order)	2	7414.1/2FOILSET.CLR
Foil (7' / 2.13 m luff) Special order)	10	7414.30.CLEAR
Foil (2' / 610 mm) bottom (Special order)	1	7414.33.CLEAR
Foil screw set	1	HFG948
Foil screw	48	HFS1176
Connector kit	1	7414.31
Connector (272 mm / 10.7")	1	—
Connector bushing A	2	H-45542
Connector bushing B	2	H-45543
Foil screw	2	HFS1176
Plastic connector wedge	2	H-45509
Bottom connector kit	1	7414.32
Bottom connector (386 mm / 15.2")	1	—
Connector bushing A	2	H-45542
Connector bushing B	2	H-45543
Connector bushing set	1	HFG946
Connector bushing A (curved/longer)	23	H-45542
Connector bushing B (flat/shorter)	23	H-45543
Plastic connector wedge set	1	HFG947
Plastic connector wedge	24	H-45509
Feeder with Screw and Tab	1	H-45482
Feeder Tab	1	H-45480
Screw	1	HFS1175

UNIT 4



5

Description	Order	Part No.
Instruction manual	1	4673
Blue Loctite® adhesive	1	833
Red Loctite adhesive	2	HFG739
5200 adhesive set	1	HFG725
5200 marine adhesive sealant	1	HFG722
Injector	1	HFG200 HFG201
Prefeeder	1	947

6

Description	Order	Part No.
Hex keys		
M6	1	HFG644
M5	1	HFG643

Torlon is a registered trademark of Solvay Advanced Polymers
Loctite is a trademark of Henkel AG & Company KGaA