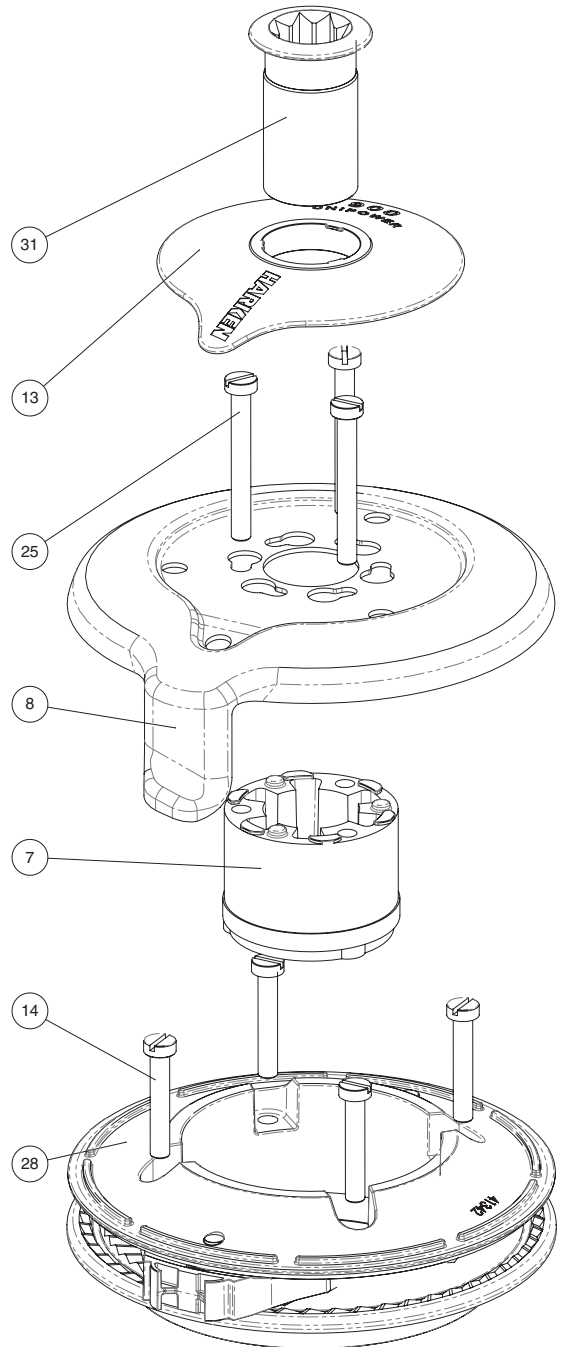
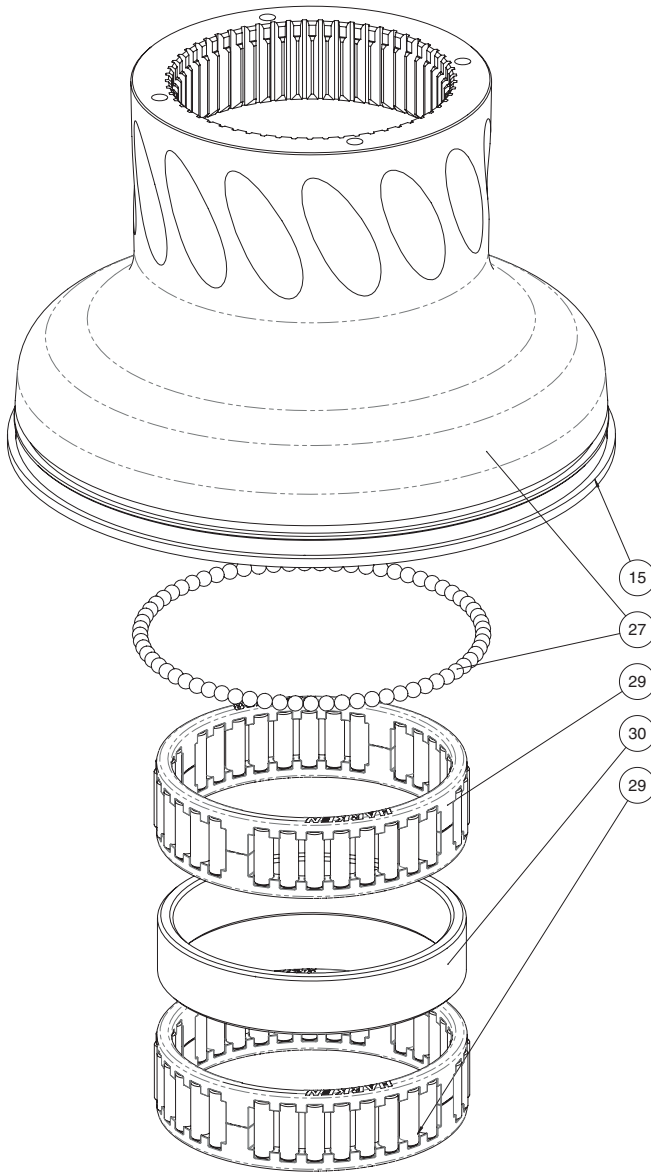
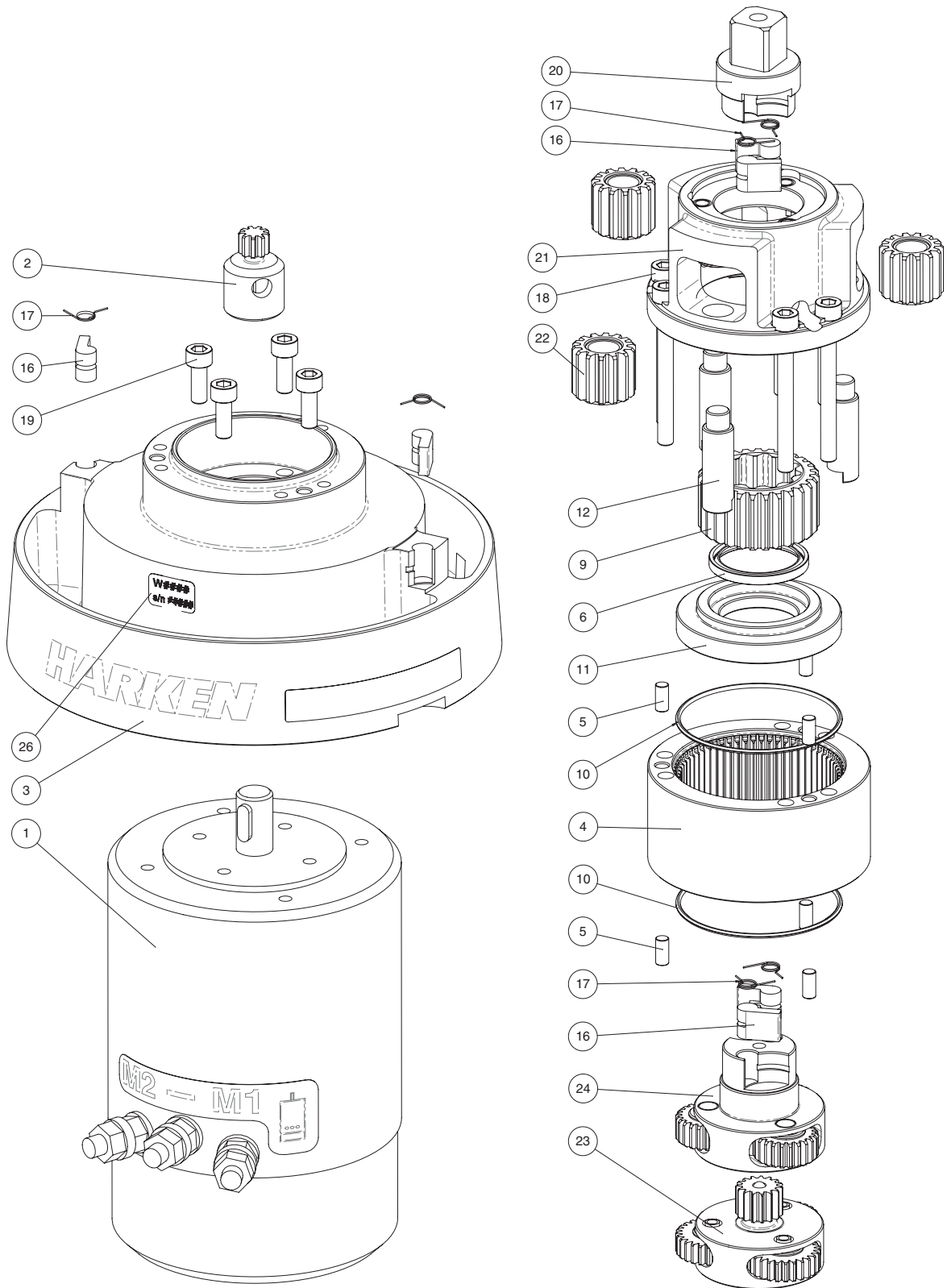


Exploded view

Winch Radial UniPower 900 A, C, CW, BBB, CCC



Winch Radial UniPower 900 A, C, CW, BBB, CCC



UniPower 900 BBB

BBB = all bronze

Pos.	Q.ty	Code	Description	Pos.	Q.ty	Code	Description	
1	1	A94953300	Kit Motor 0,7kW 12V Unipower 900	22	3	A94903900	Gear assembly Z=10	
	1	A96508600	Kit Motor 0,9kW 24V Unipower 900 <i>Electric motor</i>		1	S490390004	<i>Gear Z=14</i>	
	1	M6014206	<i>Polarity motor sticker</i> <i>Key DIN 6885 5x5x15</i>		1	M6017594	<i>Bushing Iigus GFM-121418-20</i>	
2	1	S490310004	Pinion Z=9	23	1	A94909800	First planetary assy <i>Gear Carrier</i> <i>Gear z=26</i> <i>Ball 3/16"</i> <i>Pin Ø6</i> <i>Bushing Iigus XSM-0608-10</i>	
3	1	A96940600	Assy base Unipower 900 BBB <i>Support UniPower 900 CCC-BBB</i>		24	1	A94910000	Second planetary assy <i>Pawl Carrier</i> <i>Gear Z=23</i> <i>Pin Ø8</i> <i>Bushing Iigus XSM 0810-12</i>
	1	S694060043	<i>Skirt for base UP900 BBB</i> <i>Winch Product Sticker**</i>					
4	1	S490340004	Ring gear Z=63	25	3	M6007103	Screw M6x50 UNI6107	
5	6	S450660003	Roller Ø5x10.5	26			Winch Serial Number Sticker	
6	1	M0648397	Seal Ø30xØ38x4 NBR	27	1	A96940500	Assy Unipower 900 Drum BBB	
7	1	S4129400A0	Stripper arm support	1	S694050043	<i>Drum Unipower 900 BBB</i>		
8	1	S693340019	Stripper Arm W50 BBB	69	M0619580	<i>Ball 3/16"</i>		
9	1	S490780004	Gear Z=27	28	1	A96998100	Assy jaws UniPower 900 BBB <i>Lower Jaw W50 BBB</i> <i>Upper jaw Unipower 900</i> <i>Peeler W46 - 50</i> <i>SPRING</i>	
10	2	M6004597	O Ring 2237					
11	1	S490800080	Flange					
12	3	S490810004	Pin Ø12	1	S414280080	Bearing Ø85xØ97x26		
13	1	A76940700	Cover Unipower 900 BBB	4	S385970001			
14	4	M0601803	Screw UNI EN ISO 1207:1996 - M6x35 - A4	29	2	A74135100		
15	1	S281690097	Red line	30	1	S413520080	Spacer	
16	6	S000080003	Pawl Ø8*	31	1	A94136400	Assy Socket W20-80 <i>Socket Handle W20/80</i>	
17	6	S000380001	Pawl Spring Ø8*					
18	6	M0606103	Screw M6x60 UNI5931	1	S415130085	<i>Washer Ø7.7xØ25x5.8</i>		
19	4	M0635103	Socket head screw M6x16 UNI 5931	1	M0614303	<i>Screw M8x20 UNI 6109</i>		
20	1	S490960004	Pawls carrier					
21	1	A94904100	Gear carrier <i>Gear carrier</i>					
	3	S414890080	<i>Heli-coil M6x9</i> <i>Bushing Ø9xØ11x7</i>					

*Available with service kit; see website www.harken.com

**Winch product sticker

