

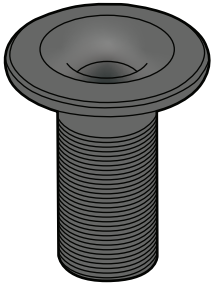
Country of Manufacture - USA

Harken, Inc.
 N15W24983 Bluemound Rd., Pewaukee, WI 53072 USA
 Telephone: +1 262 691-3320
 Web: www.harken.com • Email: harken@harken.com



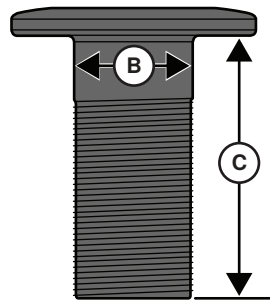
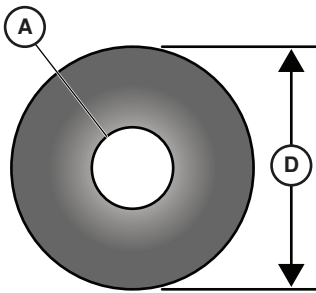
Gizmos Through-Deck Bushings and Padeye Kits

2. GIZMO SINGLE THROUGH-DECK BUSHINGS

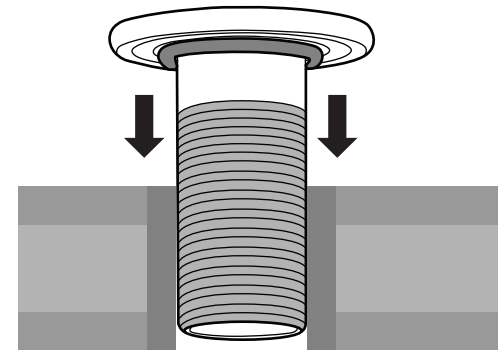
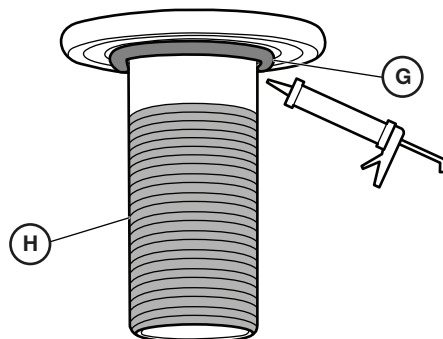
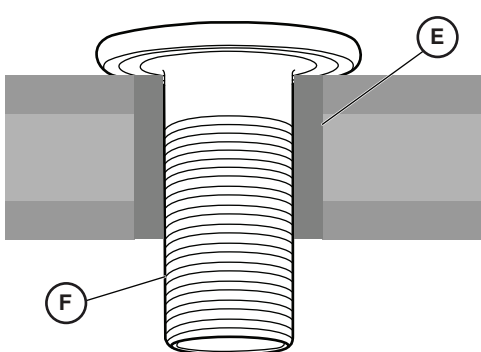


2.1. SPECIFICATIONS

Size	Part No.	A - Hole Diameter		B - Max shaft diameter*		Drill size		C - Shaft length		D - Flange diameter	
		mm	in	mm	in	mm	in	mm	in	mm	in
6	9060	5.94	0.234	9.2	0.362	10	X or 13/32	20	0.787	19	0.75
8	9061	7.94	0.313	12.2	0.480	13	1/2	30	1.181	25	0.98
10	9062	10.08	0.397	15.2	0.599	16	5/8	30	1.181	28	1.10
12	9063	11.91	0.469	17.2	0.677	18	28/32	30	1.181	31	1.22
14	9064	14.29	0.563	21.2	0.835	22	7/8	30	1.181	41	1.61



2.2. INSTALLATION



1. SAFETY INFORMATION

⚠ STRICTLY FOLLOW ALL INSTRUCTIONS TO AVOID AN ACCIDENT, DAMAGE TO YOUR VESSEL, PERSONAL INJURY OR DEATH. SEE WWW.HARKEN.COM/MANUALS FOR ADDITIONAL SAFETY INFORMATION.

2. GIZMOS SINGLE THROUGH-DECK BUSHINGS

Gizmos single through-deck bushings are an easy-to-install bushing for lower loads and/or relatively fair leads designed to protect decks and lines from chafing using any through-deck application. Single bushings are less structural than doubles and are used when line is entering at smaller angles and leading fairly straight inside.

Be sure to factor block loading verses angle of deflection. Greater angles load the fairlead more and a double may be more suitable.

2.1 SPECIFICATIONS

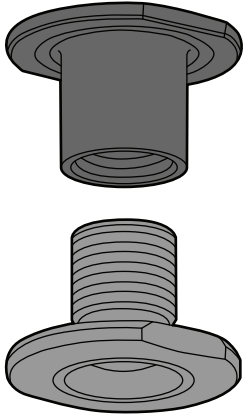
See table and drawings.

2.2 INSTALLATION

See 2.1 SPECIFICATIONS to check fit and determine drill size. Take necessary steps to reinforce and seal cored decks using a suitable compression tube (E). You can trim single through-deck bushings (F), however you will lose the radius edge and anodizing. Use a hack saw to trim if necessary.

Put a large bead of marine grade polysulfide type sealant in the underside corner of the upper part of bushing (G). The texture on the outside of the bushing (H) is used to provide adhesion grip; it is not a load bearing thread. For permanent installations, coat the side of the bushing with adhesive. Push bushing into place and clean up excess sealant around flange.

3. GIZMO DOUBLE THROUGH-DECK BUSHINGS



3. GIZMO DOUBLE THROUGH-DECK BUSHINGS

Double through-deck bushings are more structural than single through-deck bushings and can handle non-fair leads or loading on both sides of the deck. They thread into themselves from the top and bottom of the deck. Double through-deck bushings are perfect for installing soft-attach loops to protect line from wear and also to separate line.

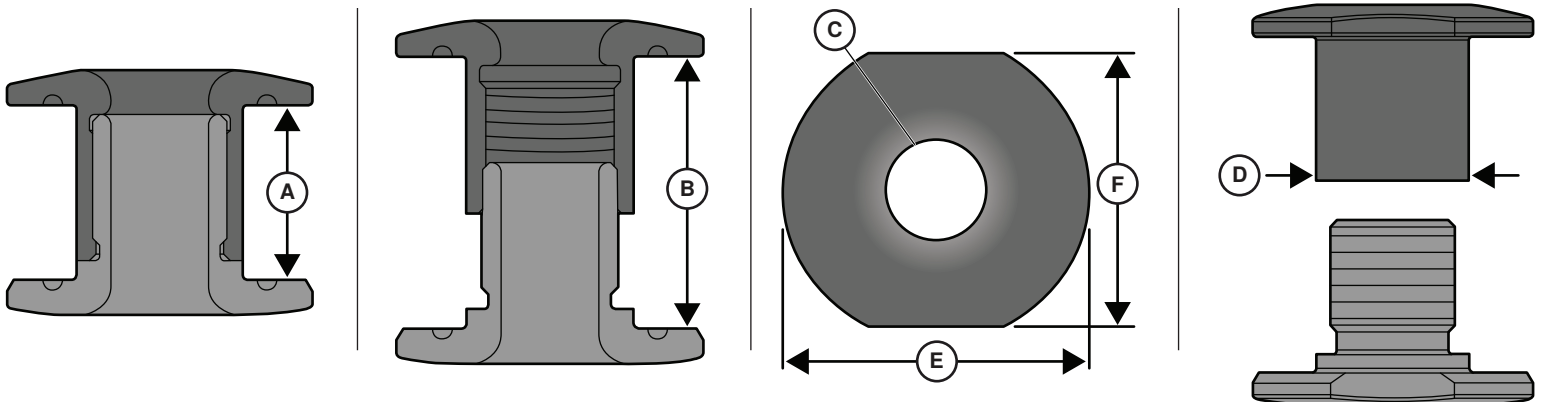
3.1 SPECIFICATIONS

Choose the correct double through-deck bushing based upon deck thickness.

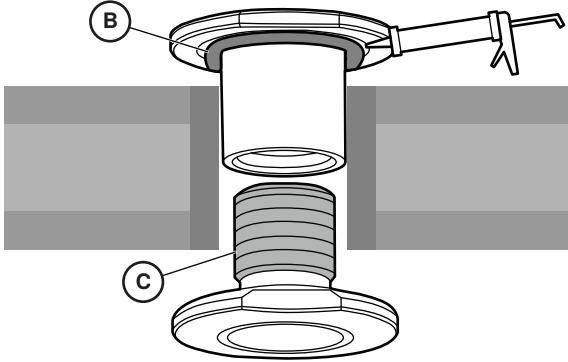
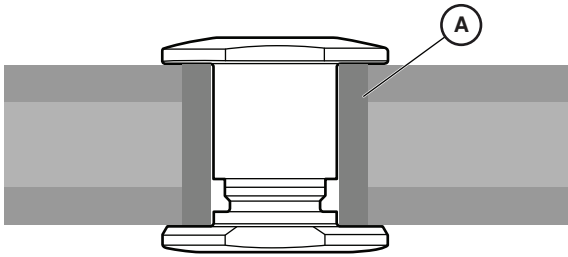
3.1. SPECIFICATIONS

Size	Part No.	A - Deck thickness (Min) B - Deck thickness (Max)				C - Hole diameter		D - Max outer shaft diameter*		Drill size		E - Flange diameter		F - Wrench flats	Maximum working load	
		Min	Max	Min	Max											
		mm	mm	in.	in.	mm	in.	mm	in.	mm	in.	mm	kg	lb		
6	9070.0608	6	8	0.236	0.315	5.94	0.234	13.2	0.520	14	9/16	25	0.98	22	-	-
	9070.0810	8	10	0.315	0.394											
	9070.1013	10	13	0.394	0.512											
8	9071.0810	8	10	0.315	0.394	7.94	0.313	15.2	0.599	16	5/8	28	1.11	25	-	-
	9071.1013	10	13	0.394	0.512											
	9071.1318	13	18	0.512	0.709											
	9071.1828	18	28	0.709	1.102											
10	9072.1013	10	13	0.394	0.512	10.08	0.397	17.2	0.677	18	23/32	31	1.23	28	700	1,540
	9072.1318	13	18	0.512	0.709											
	9072.1828	18	28	0.709	1.102											
	9072.2848	28	48	1.102	1.890											
12	9073.1013	10	13	0.394	0.512	11.91	0.469	21.2	0.835	22	7/8	41	1.61	36	1,500	3,300
	9073.1318	13	18	0.512	0.709											
	9073.1828	18	28	0.709	1.102											
	9073.2848	28	48	1.102	1.890											
14	9074.1013	10	13	0.394	0.512	14.29	0.563	24.2	0.952	25	31/32	44	1.88	44	2,300	5,060
	9074.1318	13	18	0.512	0.709											
	9074.1828	18	28	0.709	1.102											
	9074.2848	28	48	1.102	1.890											
16	9075.1013	10	13	0.394	0.512	15.88	0.625	26.2	1.032	27	1 1/32	48	1.98	48	3,400	7,480
	9075.1318	13	18	0.512	0.709											
	9075.1828	18	28	0.709	1.102											
	9075.2848	28	48	1.102	1.890											

*Largest diameter with anodizing and upper end of machining tolerance.



3.2. INSTALLATION

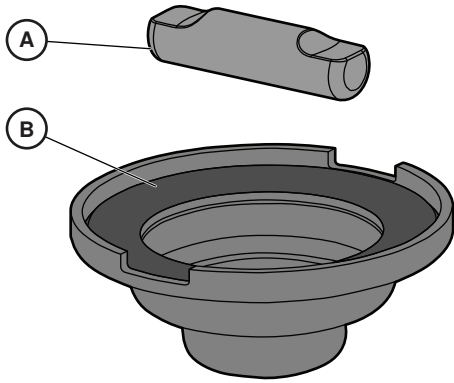


3.2 INSTALLATION

1. Take necessary steps to reinforce and seal cored decks using a suitable compression tube (A).
2. Put a large bead of polysulfide type sealant in the underside corner of the upper part of bushing (B).
3. Use a small amount of Tef-Gel® or grease (C) to help screw parts together until snug.
Important! Do not overtighten.
4. Clean up excess sealant around flange.

Tef-Gel is a registered trademark of Ultra Safety Systems.

4. GIZMOS PADEYE KITS



4. GIZMOS PADEYE KITS

Padeye kits include a cross pin (A) and waterproof cap with adhesive ring (B) and convert a double-sided bushing into a through-deck, watertight padeye that can be loaded in any direction in relation to the cross pin.

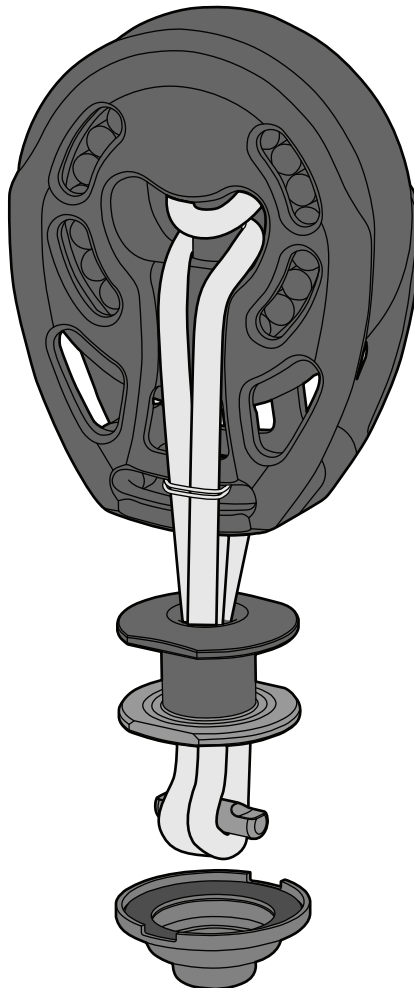
4.1 SPECIFICATIONS

Choose the correct kit to fit the Harken double bushing. Use loops or lashings to create a soft padeye. Consult Harken block instructions to correctly attach loop or lashing to block.

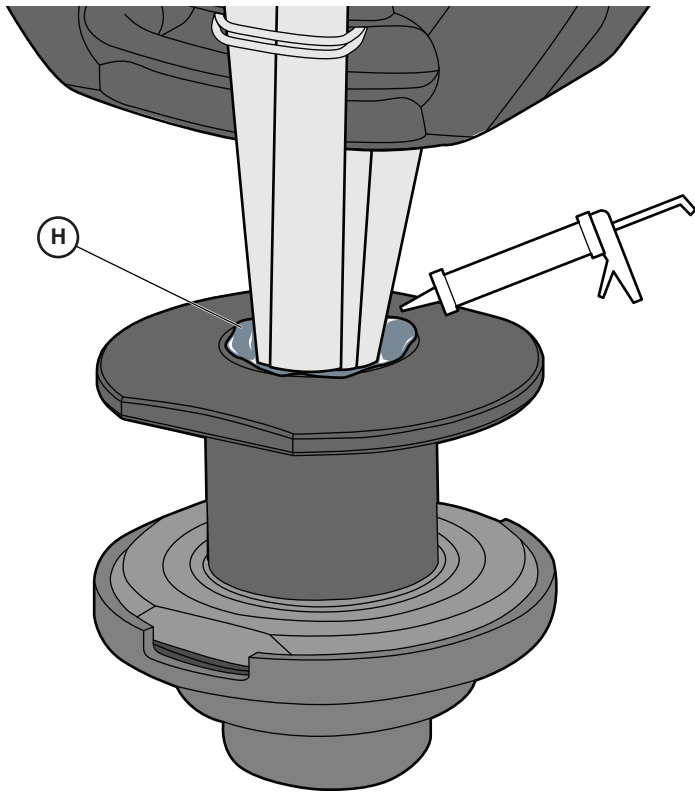
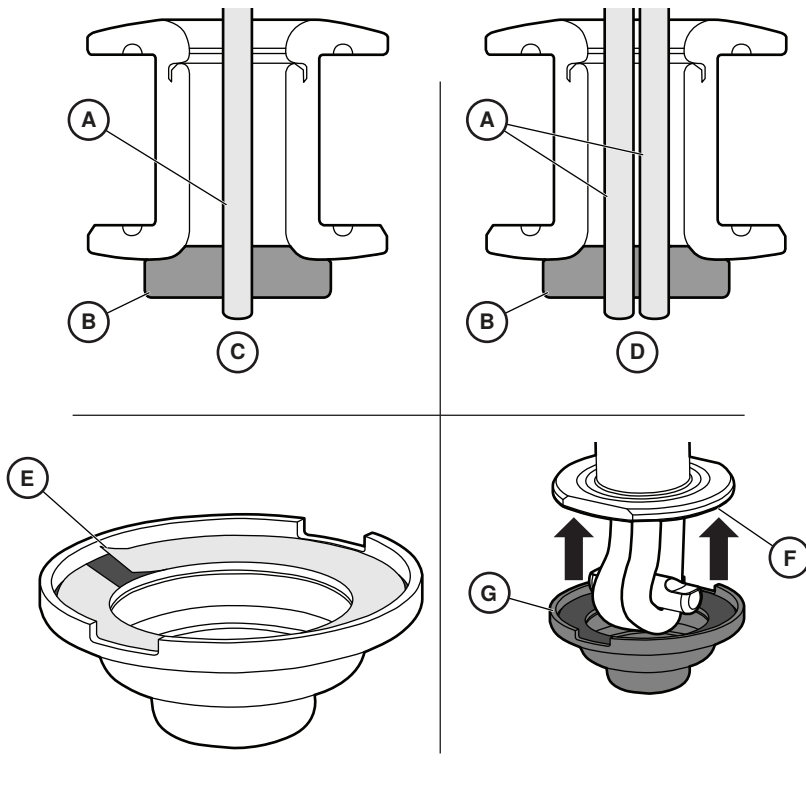
NOTE: Blocks are not included.

4.1. SPECIFICATIONS

Padeye kit part No.	Descriptions	Compatible Harken block			High-Load Snatch Block	Max working load	
		Fly block	Black Magic Loop Block	V Block		Kg	Lb
9072.PADEYE	10 mm padeye kit	2173	–	–	–	700	1,540
9073.PADEYE	12 mm padeye kit	–	3214	3294AL, 3366AL	–	1,500	3,300
9074.PADEYE	14 mm padeye kit	–	3230	–	3299	2,300	5,060
9075.PADEYE	16 mm padeye kit	–	3245	3295AL, 3367AL	–	3,400	7,480



4.2. INSTALLATION



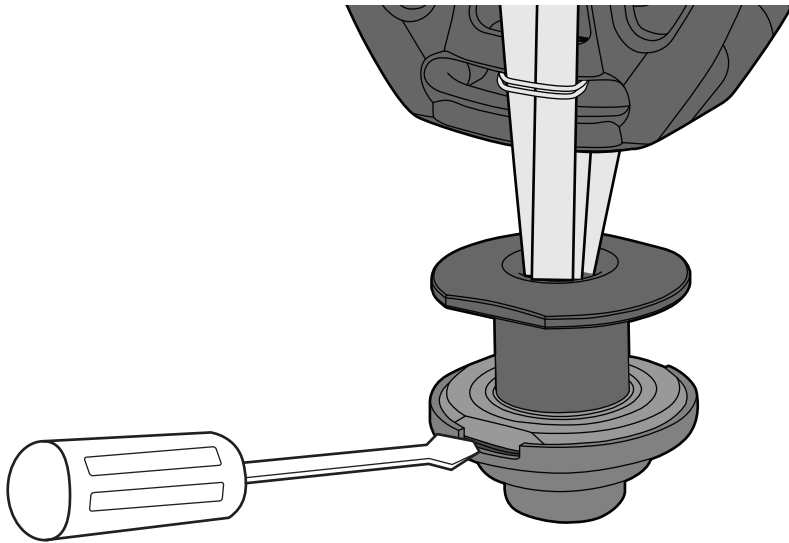
4.2 INSTALLATION

1. Capture lashing or loop (A) to the cross pin (B) as shown. Verify the flats on the cross pin face up and contact the bottom of the flange.

NOTE: Either loop configuration (C) or basket configuration (D) is acceptable provided the loop can handle the load configuration.

2. Remove paper backing (E) from the adhesive ring on the water cover.
3. Verify the bottom of the double-sided bushing (F) is clean and dry.
4. Stick the waterproof cap with adhesive ring (G) onto the bottom of the double-sided bushing.
5. Fill padeye with silicone or equivalent sealant to prevent water intrusion (H).

5. MAINTENANCE



5. MAINTENANCE

Harken equipment is designed for minimal maintenance. However, some upkeep is required to give the best service and comply with the Harken limited warranty.

IMPORTANT! Exposure to some teak cleaners and other caustic solutions can result in discoloration of part and is not covered under the Harken warranty.

Periodically remove cap by inserting a screwdriver into one of the cutouts and prying it off. Clean and inspect cross pin and loop or lashing for wear and replace as necessary. Refer to specific block or loop manual for specific maintenance instructions.

6. WARRANTY

For additional safety, maintenance and warranty information see www.harken.com/manuals or the Harken catalog.